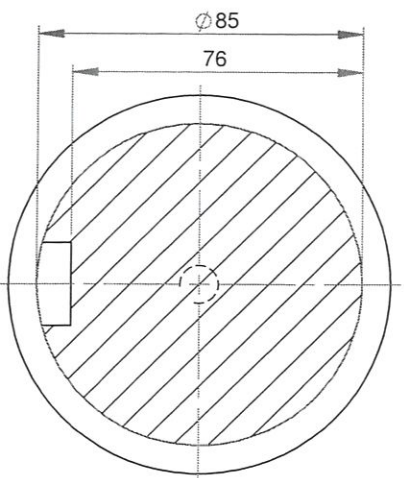
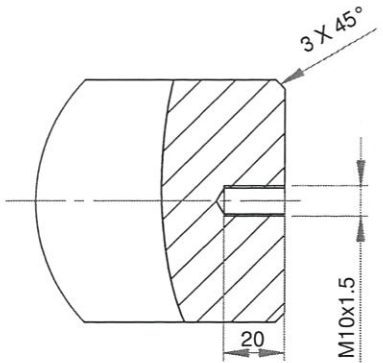


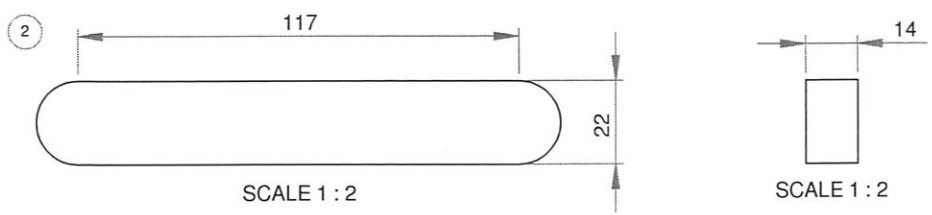
SCALE 1 : 5



SECTION A-A
SCALE 1 : 2



DETAIL A
SCALE 2 : 5



SCALE 1 : 2

SCALE 1 : 2

** INCOMING PART WILL BE CHECK. IT WILL RETURN IF NOT PASS **

POLISHING	GRINDING	NORMAL MACHINING (SMOOTH SURFACE)	NORMAL MACHINING (ROUGH SURFACE)
▽▽▽	▽▽	▽	▽
1	2	3	

2	KEY SHAFT	2	SS400	
1	SHAFT BUCKET ELEVATOR	1	VCN150	
POS	DESCRIPTION	QTY	MATERIAL	REMARKS
FILE DIR: \\192.168.4.15\mechanical\Draft Nuryana\Proyek Pak Rully\Bucket Elevator\Shaft				
SCALE: 1:10			DIM: mm	ASSY NO.
MECHANICAL ENGINEERING SECTION				
DIM: mm	NAME	DATE	TITLE BUCKET ELEVATOR	
DRAWN	ENDEN	9/14/2017		
DESIGN	ENDEN			
CHECK	YESSIKO			
APRV	RULLY			
CANCEL DWG NO.				
REFF DWG NO.				
PT SCG LIGHTWEIGHT CONCRETE INDONESIA			A4 2012-DWG-RMA-BE01-M-010	
				REV NO. PAGE
				1

SHAFT BUCKET ELEVATOR