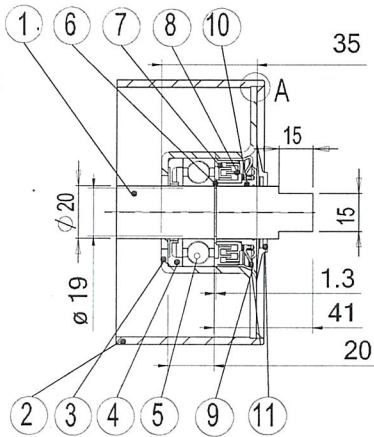
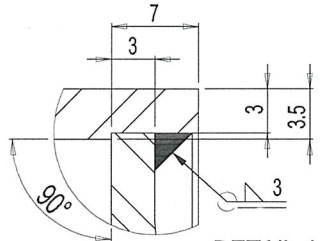


ISOMETRIC VIEW



DETAIL END SHAFT



DETAIL-A

11	Rubber Cover 6204	2	NBR	
10	Plastic Cap	2	PA6	
9	Steel Cap	2	Mild Steel	
8	Outer Labyrinth Seal	2	PA6	
7	Inner Labyrinth Seal	2	PA6	
6	Snapring: S.20 mm	2	SK5	
5	Bearing SKF/FAG 6204 ZZ/C3	2		
4	Inner Seal	2	PA6	
3	Bearing Housing TCR 204-76; 3 mm Thk.	2	Mild Steel	
2	Shek; $\phi 76 \times 150$ mm; 3.5 mm Thk.	1	Q235	
1	Shaft; $\phi 20 \times 230$ mm	1		
No	Description	Qty	Materials	Remark

Dir. / File :				Scale: 1:33	Assy. No.
Dim : mm	Name	Date	Sign	Title : RAW MATERIAL - BELT CONVEYOR	
Drawn	ENDEN	21/JULY/18		CARRY ROLLER BW 500	
Designed	AVAILABLE				
Checked	YESSIKO				
Approved	M. NUGRAHA				
SCG PT. SOG LIGHTWEIGHT CONCRETE INDONESIA				A4	2012-DWG-RMA-BC-M-001A
				Rev. No.	Page. 1