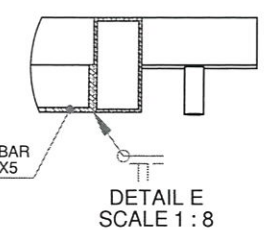
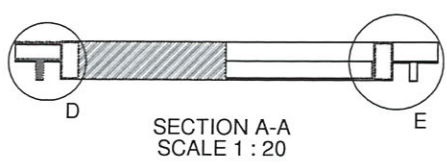
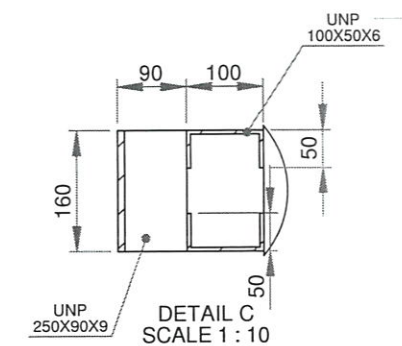
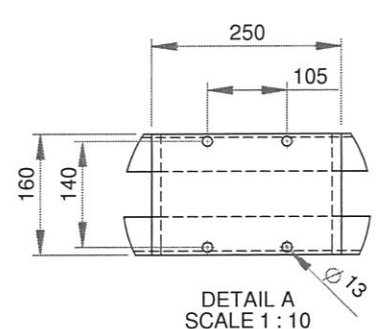
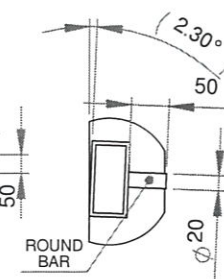
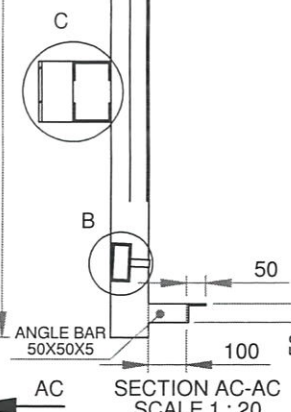


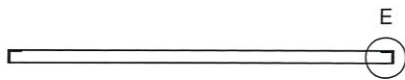
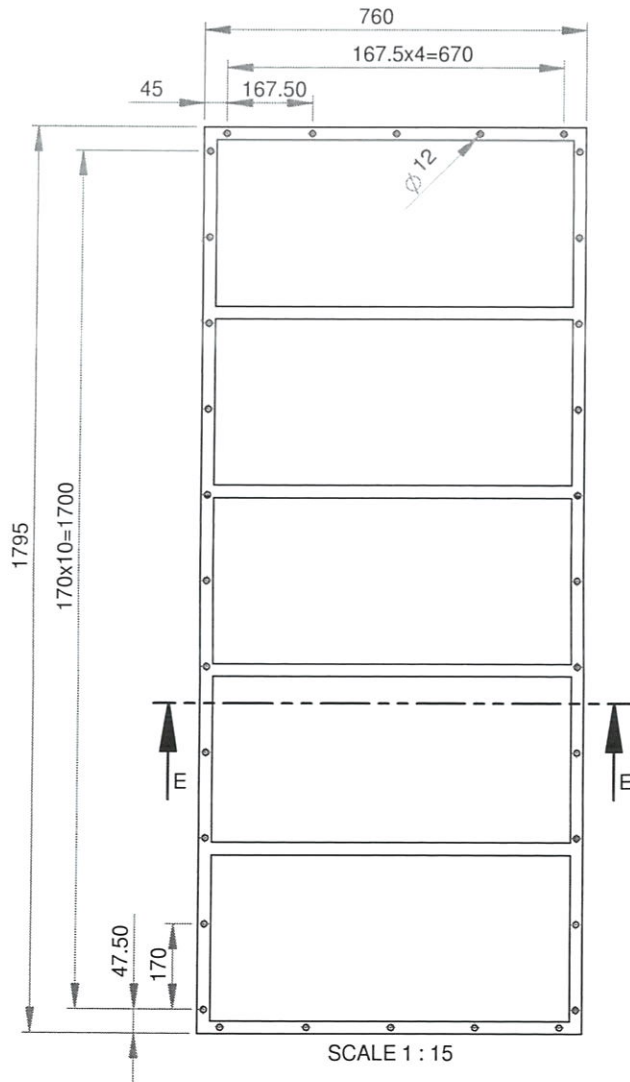
SCALE 1 : 20



** INCOMING PART WILL BE CHECK. IT WILL RETURN IF NOT PASS **

POLISHING	GRINDING	NORMAL MACHINING (SMOOTH SURFACE)	NORMAL MACHINING (ROUGH SURFACE)
1		2	

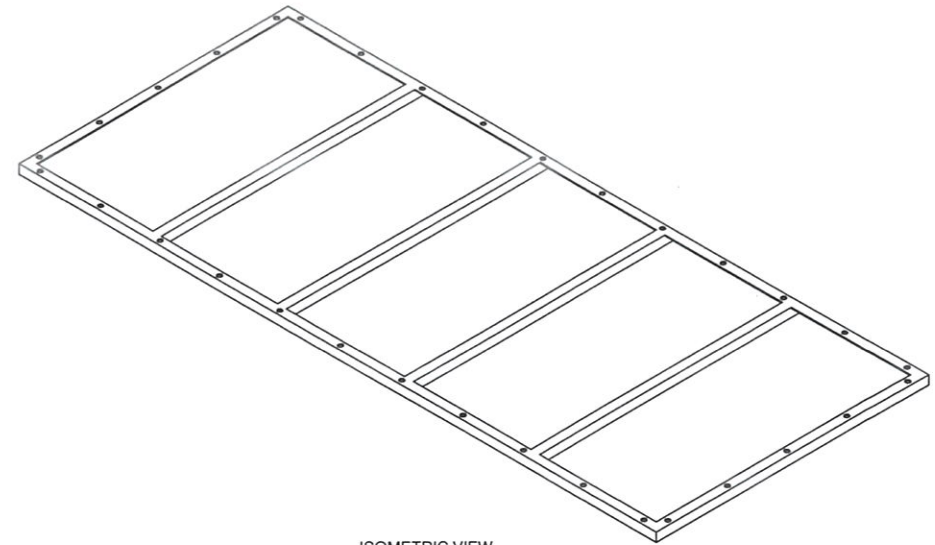
3	SCREEN BALLMILL	1	ANGLE BAR+WIREMESH	2012-DWG-RMA-BM-M-051B
2	VIBRATOR	1	ADK 0.18	-
1	FRAME IMPROVEMENT	1	UNP+ANGLE BAR+HOLLOW+ROUND BAR	-
POS	DESCRIPTION	QTY	MATERIAL	REMARKS
FILE DIR: \\192.168.4.15\mechanical\Draft Nuryana\Proyek mas gama\Frame Vibrator BallMill				
DIM: mm		SCALE: 1:50		ASSY NO.
MECHANICAL ENGINEERING SECTION				
DRAWN: ENDEN		DATE: 7/26/2017		TITLE
DESIGN: GAMA		APR: 26/17		ASSY FRAME IMPROVEMENT+ VIBRATOR
CHECK: GAMA		APR: 07		
APRV: RULLY		CANCEL DWG NO.		REV NO. PAGE
REF DWG NO.		PT SCG LIGHTWEIGHT CONCRETE INDONESIA		A4 2012-DWG-RMA-BM-M-051A 1 2



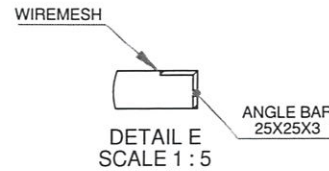
SECTION E-E
SCALE 1 : 15

** INCOMING PART WILL BE CHECK. IT WILL RETURN IF NOT PASS **

POLISHING	GRINDING	NORMAL MACHINING (SMOOTH SURFACE)	NORMAL MACHINING (ROUGH SURFACE)
▽▽▽	▽▽	▽	▽



ISOMETRIC VIEW
SCALE 1 : 15



1	SCREEN BALLMILL	1	ANGLE BAR+WIREMESH	
POS	DESCRIPTION	QTY	MATERIAL	REMARKS
FILE DIR:	1792.168.4.15\mechanical\Draft Nuryana\Proyek mas gamat\Frame Vibrator BallMill		SCALE: 1:50	DIM: mm ASSY NO.
DIM: mm	NAME	DATE	MECHANICAL ENGINEERING SECTION	
DRAWN	ENDEN	7/26/2017	TITLE	
DESIGN	ENDEN		<p>SCREEN BALLMILL</p>	
CHECK	GAMA			
APRV	RULLY			
CANCEL DWG NO.				
REF DWG NO.				



PT SCG LIGHTWEIGHT CONCRETE INDONESIA

A4 2012-DWG-RMA-BM-M-051B

REV NO. PAGE

3