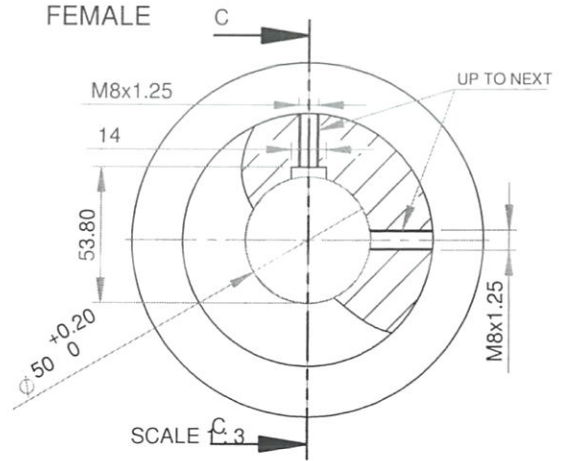
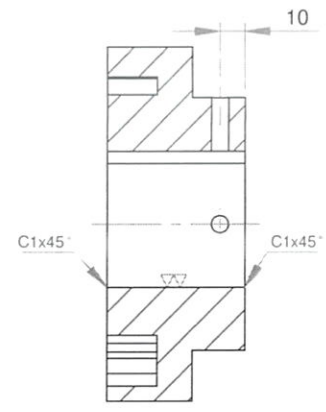


A

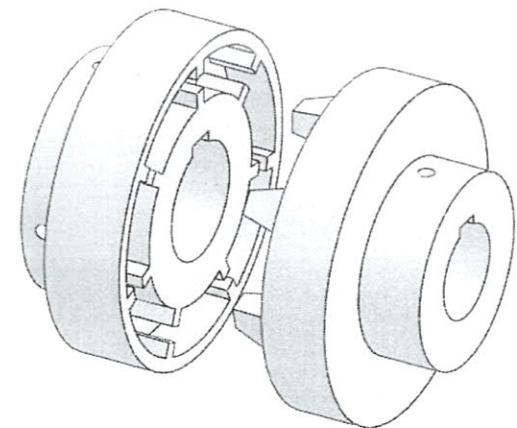
FEMALE



SCALE 1:3



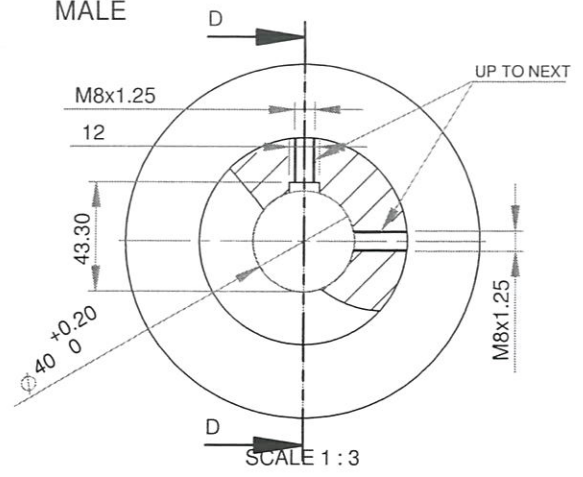
SECTION C-C
SCALE 1:3



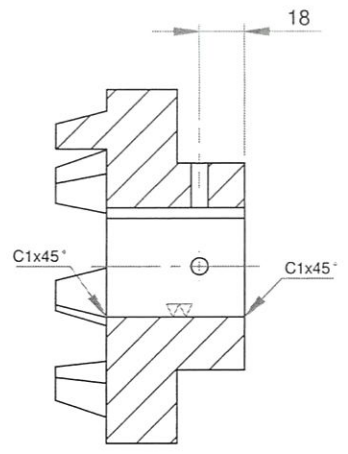
SCALE 1:3

B

MALE



SCALE 1:3



SECTION D-D
SCALE 1:3

C

D

** INCOMING PART WILL BE CHECK. IT WILL RETURN IF NOT PASS **

POLISHING	GRINDING	NORMAL MACHINING (SMOOTH SURFACE)	NORMAL MACHINING (ROUGH SURFACE)
1		2	

POS	DESCRIPTION	QTY	MATERIAL	REMARKS
FILE DIR:		SCALE: 1:5	DIM: mm	ASSY NO.
\\192.168.4.15\mechanical\Draft Nuryana\Proyek Pak Yessiko\N-EUPEX B 140				
MECHANICAL ENGINEERING SECTION				
DIM: mm	NAME	DATE	TITLE	RAW MAT CRUSHER
DRAWN	ENDEN	11/1/2017	<h1>MACHINING COUPLING N-EUPEX B-140</h1>	
DESIGN	ENDEN			
CHECK	YESSIKO			
APRV	RULLY			
CANCEL DWG NO.				
REF DWG NO.				
PT SCG LIGHTWEIGHT CONCRETE INDONESIA		A4 2012-DWG-RMA-CR1-M-013		
				REV NO. PAGE
				2

A

B

C