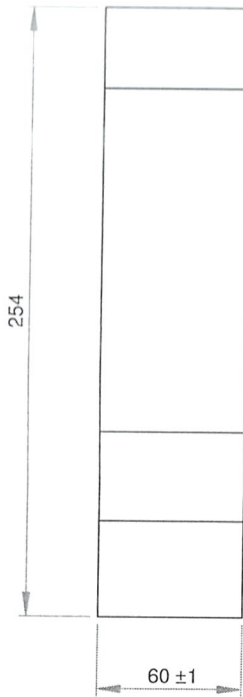
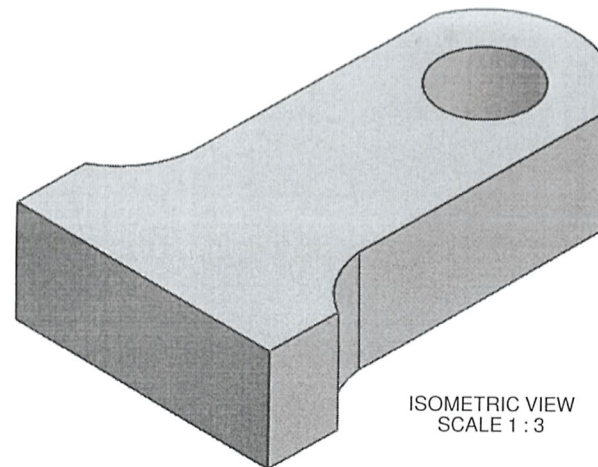


SCALE 1 : 3



SCALE 1 : 3



ISOMETRIC VIEW
SCALE 1 : 3

1	HAMMER CRUSHER	1	HIGH MANGANESE STEEL 12%	10.5 Kg/pcs
POS	DESCRIPTION	QTY	MATERIAL	REMARKS
FILE DIR: \\192.168.4.15\mechanical\Draft Nuryana\Proyek Pak Yessiko\CRUSHER\Hammer crusher\		SCALE: 1:3		DIM: mm
ASSY NO.		MECHANICAL ENGINEERING SECTION		
DIM: mm	NAME	DATE	TITLE CRUSHER	
DRAWN	ENDEN	1/2/2018	<p style="text-align: center;">HAMMER</p>	
DESIGN	AVAILABLE	<i>Handwritten signature</i>		
CHECK	YESSIKO	<i>Handwritten signature</i>		
APRV	RULLY	<i>Handwritten signature</i>		
CANCEL DWG NO.				
REF DWG NO.				
PT SCG LIGHTWEIGHT CONCRETE INDONESIA		A4	2012-DWG-RMA-CR-M-001	REV NO. PAGE
		1	1	

** INCOMING PART WILL BE CHECK. IT WILL RETURN IF NOT PASS **

POLISHING	GRINDING	NORMAL MACHINING (SMOOTH SURFACE)	NORMAL MACHINING (ROUGH SURFACE)
▽▽▽	▽▽	▽	▽

1

2

3