

1 2 3 4 5 6

A

B

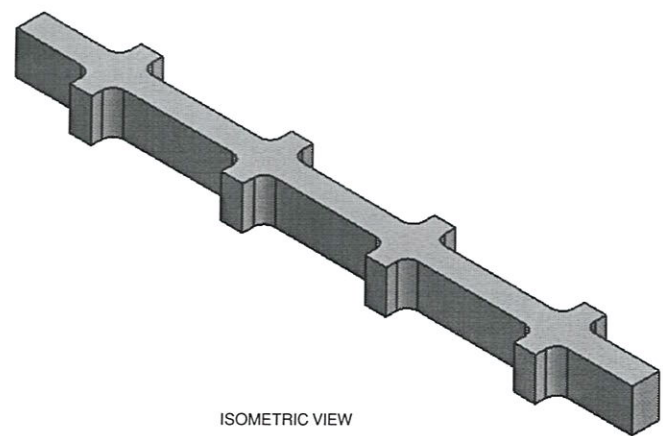
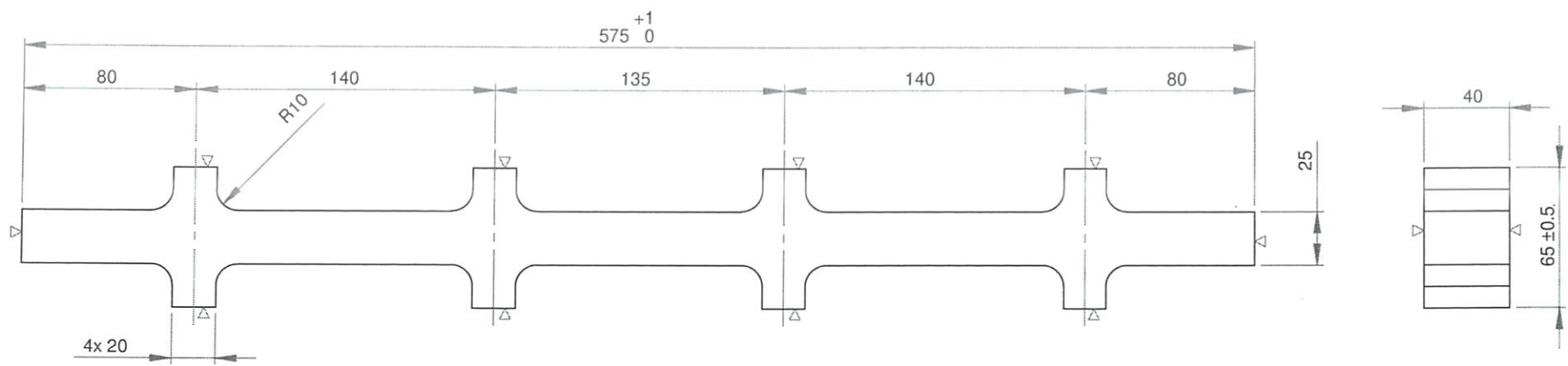
C

D

A

B

C



** INCOMING PART WILL BE CHECK. IT WILL RETURN IF NOT PASS **

POLISHING	GRINDING	NORMAL MACHINING (SMOOTH SURFACE)	NORMAL MACHINING (ROUGH SURFACE)
▽▽▽	▽▽	▽	▽
1		2	

1	SCREEN PLATE	1	HIGH MANGANESE STEEL	12-14% Mn; Weight = 10 kg
POS	DESCRIPTION	QTY	MATERIAL	REMARKS
FILE DIR: \\192.168.4.15\mechanical\Draft Nuryana\Proyek Pak Yessiko\CRUSHER\Screen Plate		SCALE: 1:5		DIM: mm ASSY NO.
MECHANICAL ENGINEERING SECTION				
DIM: mm	NAME	DATE	TITLE	
DRAWN	ENDEN	07/14/2017	SCREEN PLATE	
DESIGN	ENDEN			
CHECK	YESSIKO			
APRV	RULLY			
CANCEL DWG NO.				
REF DWG NO.				
PT SCG LIGHTWEIGHT CONCRETE INDONESIA		A4 2012-DWG-RMA-CRS-M-000		REV NO. PAGE
				1 1