

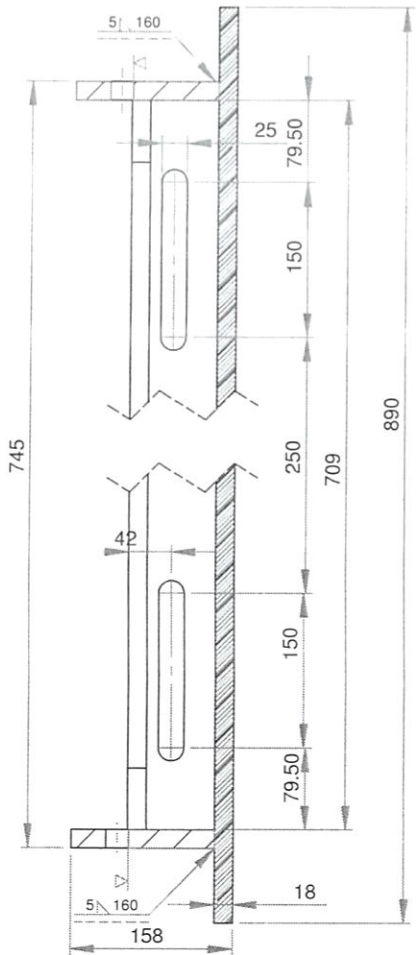
SCALE 1 : 7

SECTION C-C  
SCALE 1 : 7

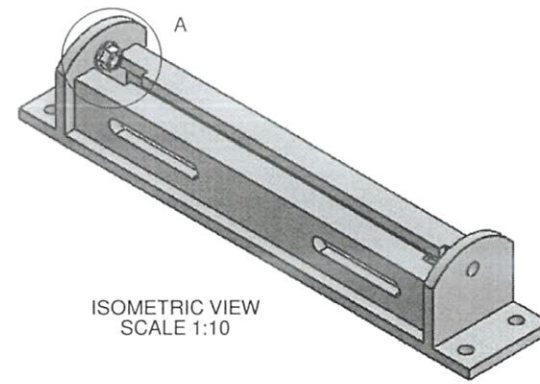
SECTION G-G  
SCALE 1 : 7

\*\* INCOMING PART WILL BE CHECK. IT WILL RETURN IF NOT PASS \*\*

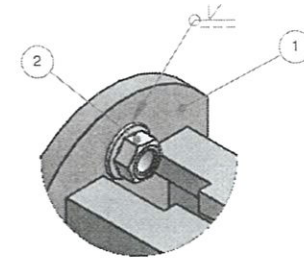
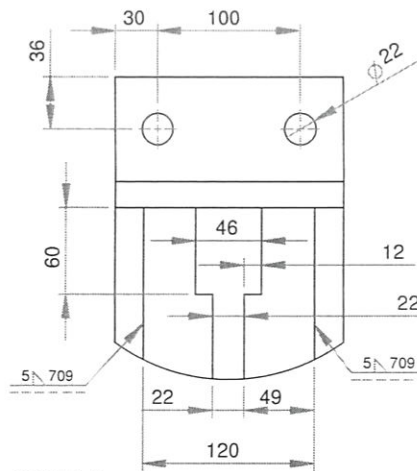
POLISHING	GRINDING	NORMAL MACHINING (SMOOTH SURFACE)	NORMAL MACHINING (ROUGH SURFACE)
1	2	3	4



DETAIL B  
SCALE 1 : 5



ISOMETRIC VIEW  
SCALE 1:10



DETAIL A  
SCALE 1 : 5

2	FLANGED HEXAGONAL NUT M20	2	STANDARD	
1	FRAME MOTOR	1	MILD STEEL PLATE t: 18mm	
POS	DESCRIPTION	QTY	MATERIAL	REMARKS
FILE DIR: \\192.168.4.15\mechanical\Draft Nuryana\Proyek Pak Dadang\Support Motor Crusher\		SCALE: 1:10	DIM: mm	ASSY NO.
MECHANICAL ENGINEERING SECTION				
DIM: mm	NAME	DATE	TITLE CRUSHER	
DRAWN	ENDEN	11/15/2017		
DESIGN	ENDEN			
CHECK	YESSIKO			
APRV	RULLY			
CANCEL DWG NO.				
REF DWG NO.				
PT SCG LIGHTWEIGHT CONCRETE INDONESIA			A4 2012-DWG-RMA-CR01-M-251	
				REV NO. PAGE
				1

# SUPPORT MOTOR CRUSHER