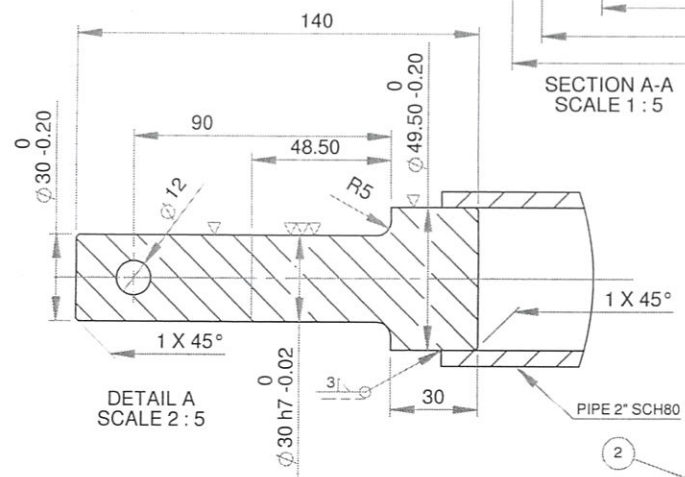
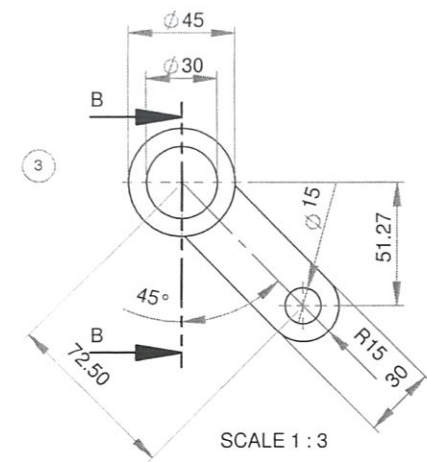


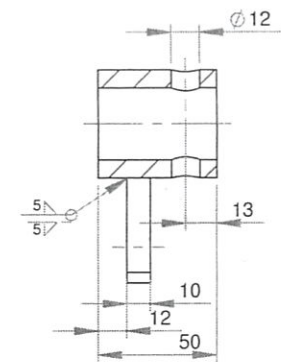
SECTION A-A
SCALE 1 : 5



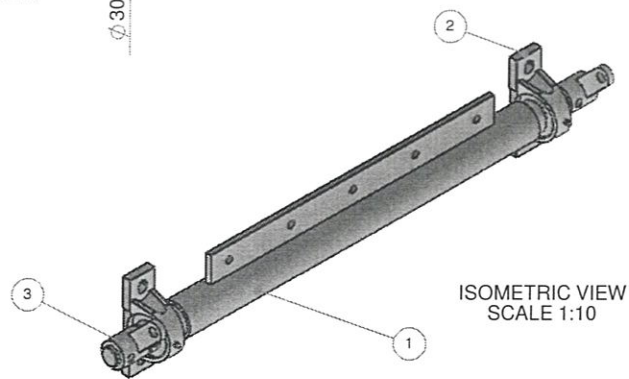
DETAIL A
SCALE 2 : 5



SCALE 1 : 3



SECTION B-B
SCALE 1 : 3



ISOMETRIC VIEW
SCALE 1:10

POS	DESCRIPTION	QTY	MATERIAL	REMARKS
3	HOLDER SHAFT	2	SS400	
2	BEARING	2	STANDARD BEARING	P-206 (FYH)
1	MAIN SHAFT BELT CLEANER	1	SS400+PIPE	

FILE DIR: \\192.168.4.15\mechanical\Draft Nuryana\Proyek Pak Rully\Belt cleaner\

DIM: mm NAME DATE TITLE BELT CONVEYOR-2

DRAWN ENDEN 11/16/2017

DESIGN ENDEN

CHECK YESSIKO

APRV RULLY

CANCEL DWG NO.

REF DWG NO.

SCALE: 1:10 DIM: mm ASSY NO.

MECHANICAL ENGINEERING SECTION

STAND BELT CONVEYOR CLEANER

REV NO. PAGE 1

PT SCG LIGHTWEIGHT CONCRETE INDONESIA A4 2012-DWG-RMA-BC2-M-030

** INCOMING PART WILL BE CHECK. IT WILL RETURN IF NOT PASS **

POLISHING	GRINDING	NORMAL MACHINING (SMOOTH SURFACE)	NORMAL MACHINING (ROUGH SURFACE)
1	2	3	