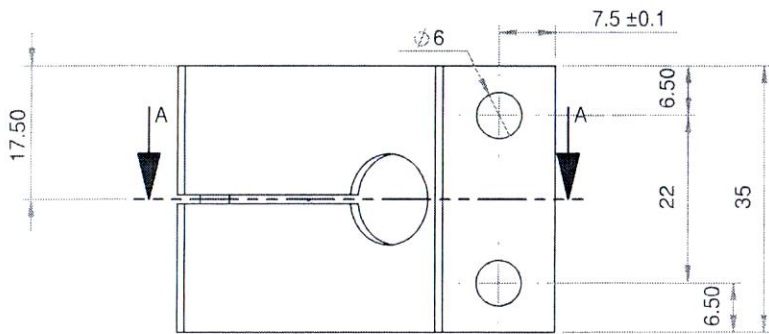
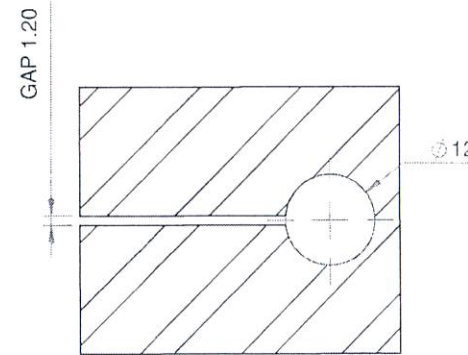


ISOMETRIC VIEW
SCALE (2:1)
WEIGHT= 0.056 KG



SCALE 1 : 1



SECTION B-B
SCALE 1 : 1

** INCOMING PART WILL BE CHECK. IT WILL RETURN IF NOT PASS **

| | | | |
|-----------|----------|-----------------------------------|----------------------------------|
| POLISHING | GRINDING | NORMAL MACHINING (SMOOTH SURFACE) | NORMAL MACHINING (ROUGH SURFACE) |
| ▽▽▽ | ▽▽ | ▽ | ▽ |

| | | | | |
|--|----------------|--------------------------------|-----------------------------------|----------|
| 1 | CLAMPING PLATE | 1 | SS-400, t:2mm | |
| POS | DESCRIPTION | QTY | MATERIAL | REMARKS |
| FILE DIR: \\192.168.4.15\mechanical\Draft Nuryana\Proyek Pak Arifin\Cutting line\Cross cutter\Secondary | | SCALE: 2:1 | | ASSY NO. |
| DIM: mm | | MECHANICAL ENGINEERING SECTION | | |
| DRAWN | NAME | DATE | SIGN | |
| DESIGN | SIGIT | 11-Oct-18 | TITLE CUTTING PLAN - CROSS CUTTER | |
| CHECK | YESSIKO | | SECONDARY CLAMPING | |
| APRV | M. NUGRAHA | | | |
| ()= GENERAL TOLERANSI ±0.2% x DIMENSION | | | | |
| REF DWG NO. WKB - 000609-F | | | | |



PT SCG LIGHTWEIGHT CONCRETE INDONESIA

A4

2012-DWG-CP-M-000609F-2

REV NO. | PAGE

3