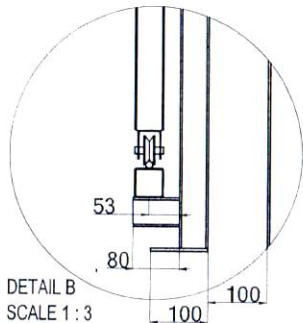
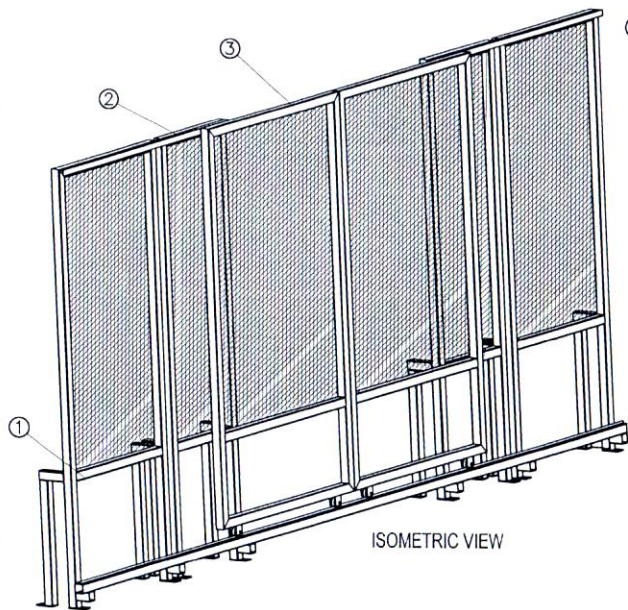
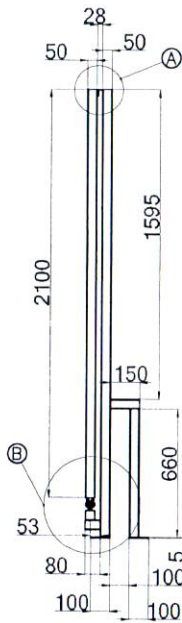
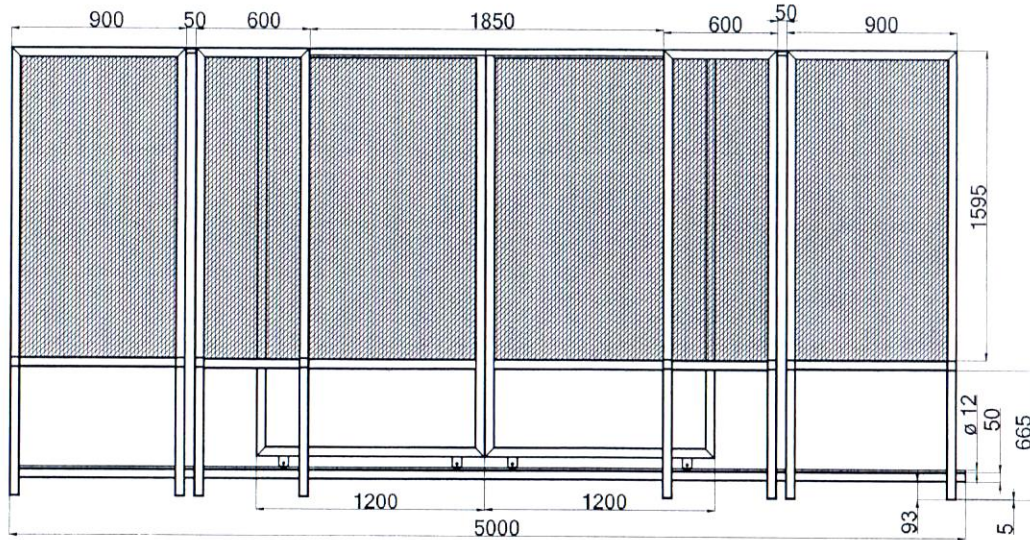
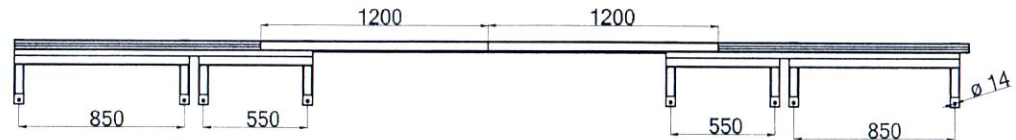


DETAIL A
SCALE 1:5



DETAIL B
SCALE 1:3



ISOMETRIC VIEW

POS	DESCRIPTION	QTY	MATERIAL	REMARKS
3	SLIDING DOOR	2	SS400	2012-DWG-WKB-SFR-M-000-C
2	FIX GUARD 02	2	SS400	2012-DWG-WKB-SFR-M-000-B
1	FIX GUARD 01	2	SS400	2012-DWG-WKB-SFR-M-000-A

FILE DIR:



SCALE: 1:1

DIM: mm

ASSY NO.

DIM: mm	NAME	DATE
DRAWN	SIGIT	21/08/2018
DESIGN	SIGIT	
CHECK	Yesiko	
APRV	NUGI	
CANCEL DWG NO.		
REF DWG NO.		

MECHANICAL ENGINEERING SECTION

TITLE Packaging(Chain Conveyor 4)

Safety guard (Sliding Door)
Right side



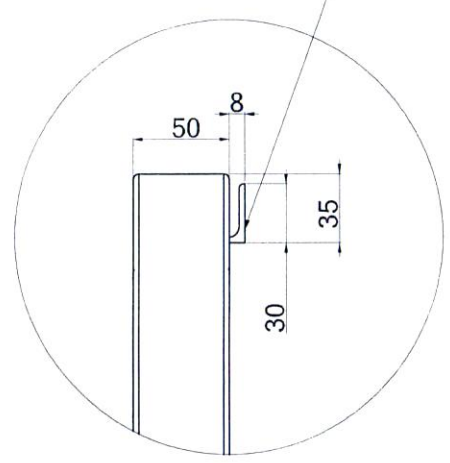
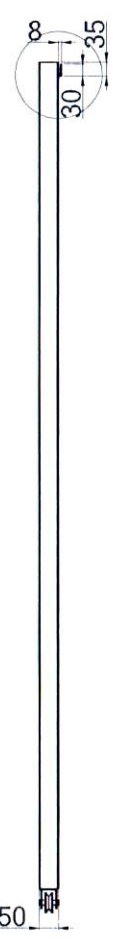
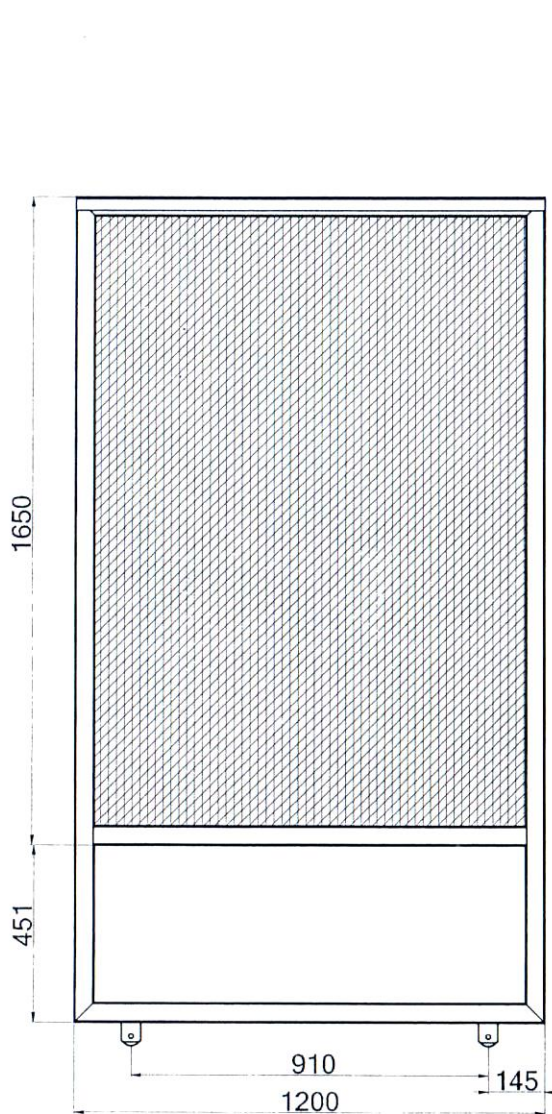
PT SCG LIGHTWEIGHT CONCRETE INDONESIA

A4

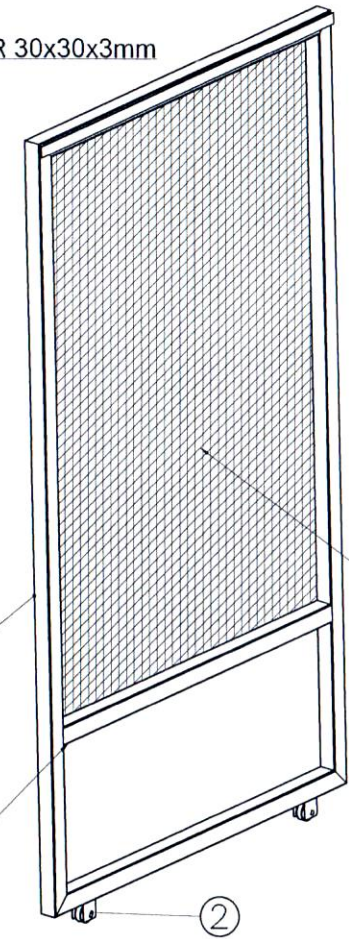
2012-DWG-WKB-SFR4-M-000

REV NO. PAGE

0



ANGLE BAR 30x30x3mm



expanded 3035

SQUARE TUBE 50x50x1.5MM

2	WHEEL	2	SS400	
1	FRAME	1	SQUARE TUBE 50x50	
POS	DESCRIPTION	QTY	MATERIAL	REMARKS
FILE DIR:			SCALE: 1:1	DIM: mm
				ASSY NO.
DIM: mm	NAME	DATE	MECHANICAL ENGINEERING SECTION	
DRAWN	SIGIT	08/2018	TITLE Packaging(Chain Conveyor 4)	
DESIGN	SIGIT		DOOR	
CHECK	Yesiko			
APRV	NUGI			
CANCEL DWG NO.				
REFF DWG NO.				
PT SCG LIGHTWEIGHT CONCRETE INDONESIA		A4	2012-DWG-WKB-SFR4-M-000-C	REV NO. PAGE
				3