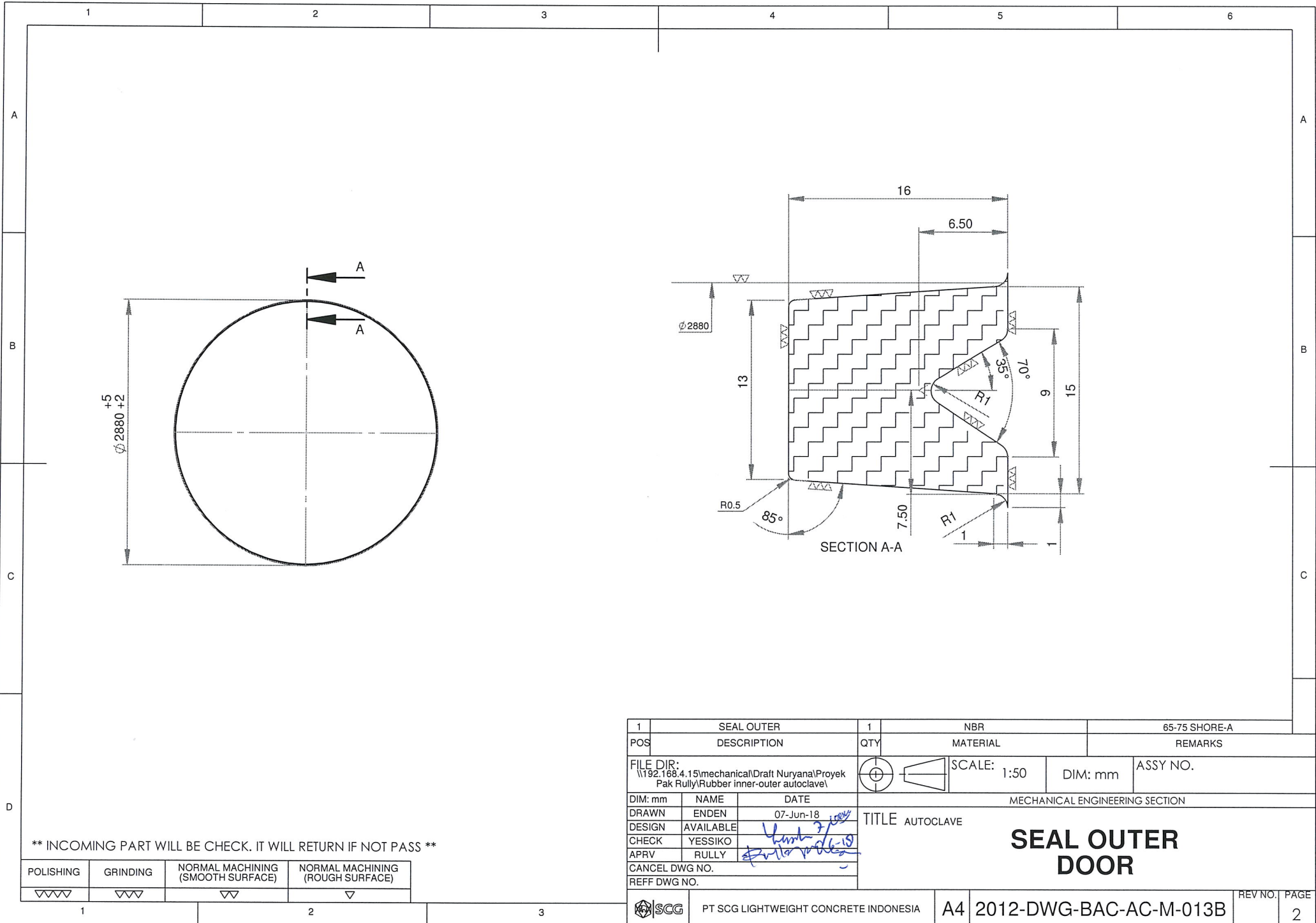


\*\* INCOMING PART WILL BE CHECK. IT WILL RETURN IF NOT PASS \*\*

POLISHING	GRINDING	NORMAL MACHINING (SMOOTH SURFACE)	NORMAL MACHINING (ROUGH SURFACE)
▽▽▽	▽▽	▽	▽

1	SEAL INNER	1	NBR	65-75 SHORE-A
POS	DESCRIPTION	QTY	MATERIAL	REMARKS
FILE DIR: \\192.168.4.15\mechanical\Draft Nuryana\Proyek Pak Rully\Rubber inner-outer autoclave\		SCALE: 1:50		ASSY NO.
DIM: mm		MECHANICAL ENGINEERING SECTION		
DRAWN	ENDEN	DATE 07-Jun-18		
DESIGN	AVAILABLE	TITLE AUTOCLAVE		
CHECK	YESSIKO	<h2 style="text-align: center;">SEAL INNER DOOR</h2>		
APRV	RULLY			
CANCEL DWG NO.				
REF DWG NO.				
PT SCG LIGHTWEIGHT CONCRETE INDONESIA		A4	2012-DWG-BAC-AC-M-013A	REV NO. PAGE
				1



\*\* INCOMING PART WILL BE CHECK. IT WILL RETURN IF NOT PASS \*\*

POLISHING	GRINDING	NORMAL MACHINING (SMOOTH SURFACE)	NORMAL MACHINING (ROUGH SURFACE)
▽▽▽	▽▽	▽	▽

1	SEAL OUTER	1	NBR	65-75 SHORE-A
POS	DESCRIPTION	QTY	MATERIAL	REMARKS
FILE DIR: \\192.168.4.15\mechanical\Draft Nuryana\Proyek Pak Rully\Rubber inner-outer autoclave\		SCALE: 1:50		ASSY NO.
DIM: mm		MECHANICAL ENGINEERING SECTION		
DRAWN	ENDEN	07-Jun-18		TITLE AUTOCLAVE
DESIGN	AVAILABLE	SEAL OUTER DOOR		
CHECK	YESSIKO			
APRV	RULLY			
CANCEL DWG NO.				
REF DWG NO.				
PT SCG LIGHTWEIGHT CONCRETE INDONESIA		A4	2012-DWG-BAC-AC-M-013B	REV NO. PAGE
				2