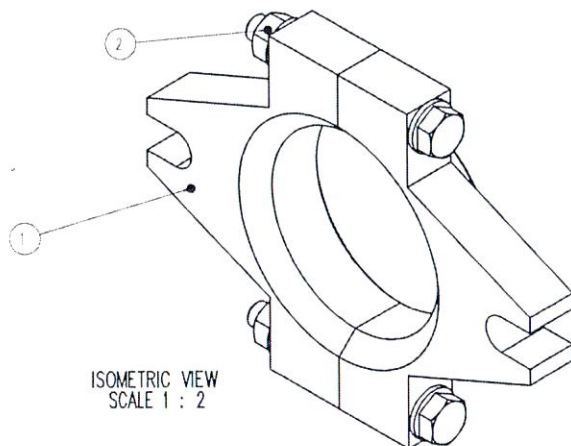
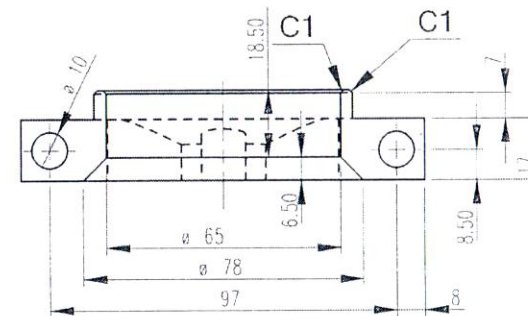
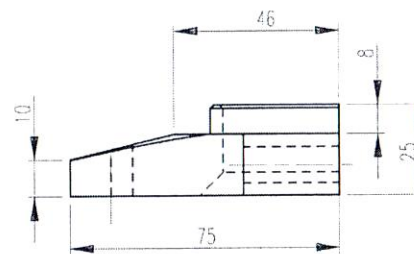


ISOMETRIC VIEW  
SCALE 1 : 2



ISOMETRIC VIEW  
SCALE 1 : 2

\*\* INCOMING PART WILL BE CHECK. IT WILL RETURN IF NOT PASS \*\*

POLISHING	GRINDING	NORMAL MACHING (SMOOTH SURFACE)	NORMAL MACHING (ROUGH SURFACE)
▽▽▽	▽▽	▽	▽

2	BOLT+NUT+WASHER PLATE	2	HTBN	M8x70
1	FOLLOWER GLAND PACKING	2	SS400	-
POS	DESCRIPTION	QTY	MATERIAL	REMARKS
FILE DIR: \\192.168.4.15 \mechanical\Draft Nuryana\Proyek Pak Yessiko\Pump MST\4-3\		SCALE: 1:2		DIM: mm
ASSY NO.		MECHANICAL ENGINEERING SECTION		
DRAWN	ENDEN	DATE	29-Nov-18	SIGN
DESIGN	CHOLIDIN	TITLE SLURRY PUMP MST 4/3		
CHECK	YESSIKO	ADJUSTER GLAND PACKING		
APRV	MUNGRAHA	GENERAL TOLERANSI $\pm 0.2\% \times$ DIMENSION		
REF DWG NO.				



PT SCG LIGHTWEIGHT CONCRETE INDONESIA

A4 2012-DWG-MPL-MS43-M-001-6

REV NO. 1  
PAGE 7