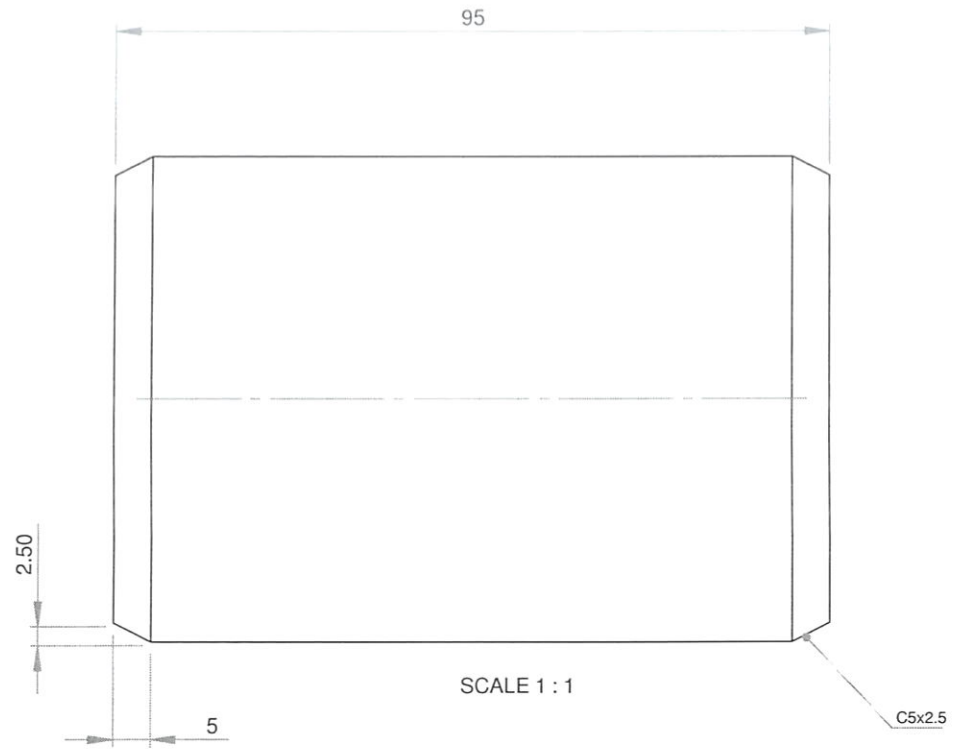


SCALE 1 : 1



SCALE 1 : 1

\*\* INCOMING PART WILL BE CHECK. IT WILL RETURN IF NOT PASS \*\*

POLISHING	GRINDING	NORMAL MACHINING (SMOOTH SURFACE)	NORMAL MACHINING (ROUGH SURFACE)

1	NYLON COUPLER	1	NYLON	
POS	DESCRIPTION	QTY	MATERIAL	REMARKS
FILE D:\B.4.15\mechanical\Draft Nuryana\Proyek mas gama\Teflon Coupler\			SCALE: 1:1	DIM: mm ASSY NO.
MECHANICAL ENGINEERING SECTION				
DIM: mm	NAME	DATE	TITLE	
DRAWN	ENDEN	10/13/2017	GEARBOX TO BAL LMILL	
DESIGN	AVAILABLE			
CHECK	YESSIKO			
APRV	RULLY			
CANCEL DWG NO.				
REF DWG NO.				
PT SCG LIGHTWEIGHT CONCRETE INDONESIA		A4 2012-DWG-RMA-BM03-051		
				REV NO. PAGE
				1 2