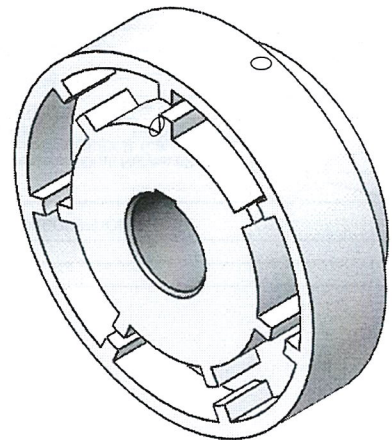
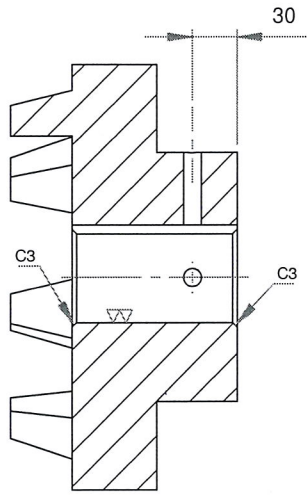
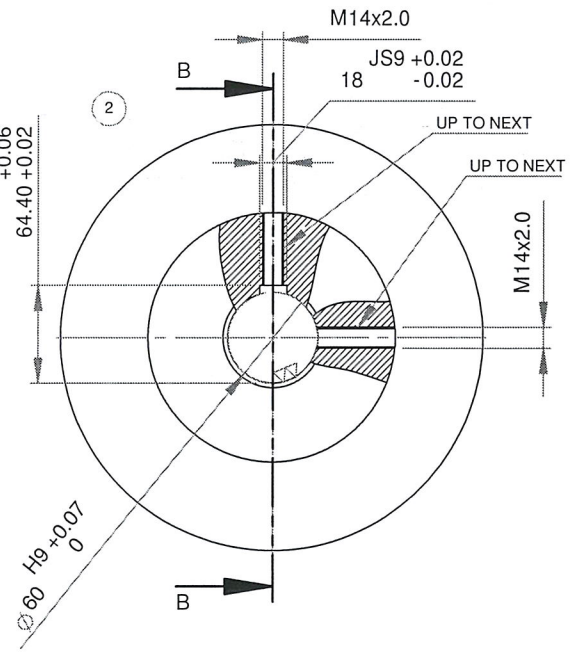


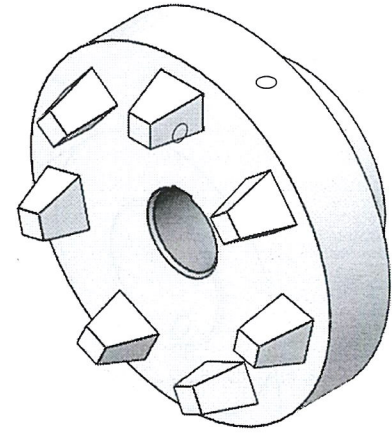
SECTION A-A



ISOMETRIC VIEW POS.1
SCALE 1:5



SECTION B-B



ISOMETRIC VIEW POS.2
SCALE 1:5

** INCOMING PART WILL BE CHECK. IT WILL RETURN IF NOT PASS **

POLISHING	GRINDING	NORMAL MACHINING (SMOOTH SURFACE)	NORMAL MACHINING (ROUGH SURFACE)
▽▽▽	▽▽	▽	▽

2	MALE	1	FC-200	-
1	FEMALE	1	FC-200	-
POS	DESCRIPTION	QTY	MATERIAL	REMARKS
FILE DIR: \\192.168.4.15\mechanical\Draft Nuryana\Proyek Pak Yessiko\N EUPEX B 140\			SCALE: 1:5	DIM: mm
DIM: mm		NAME	DATE	MECHANICAL ENGINEERING SECTION
DRAWN	ENDEN	21-May-18	TITLE BUCKET ELEVATOR	
DESIGN	AVAILABLE	21-18	MACHINING COUPLING N-EUPEX B280	
CHECK	YESSIKO			
APRV	RULLY		CANCEL DWG NO.	
REF DWG NO.				