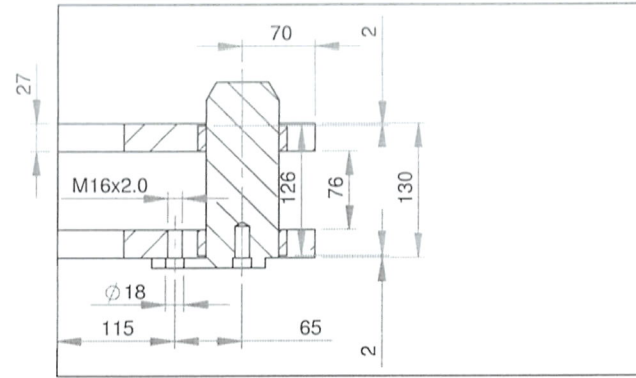
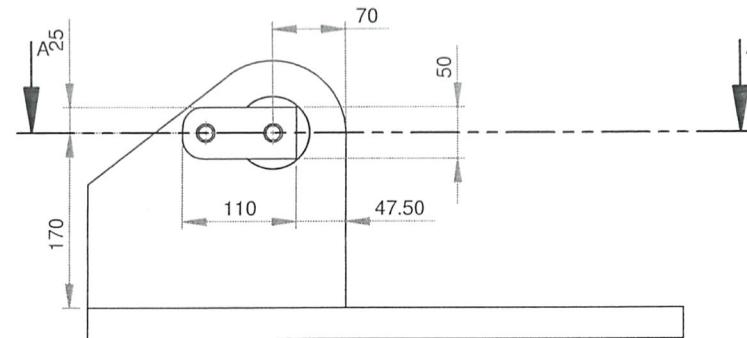


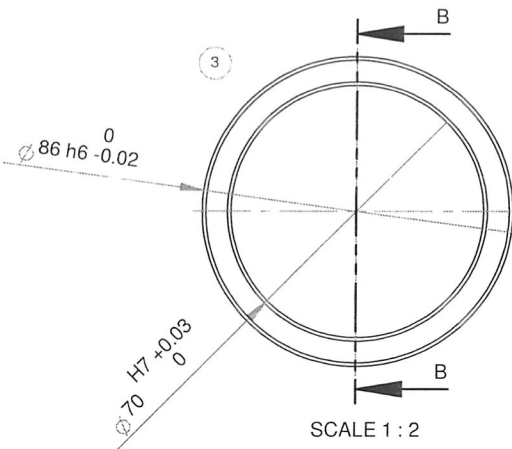
ISOMETRIC VIEW
SCALE 1 : 7



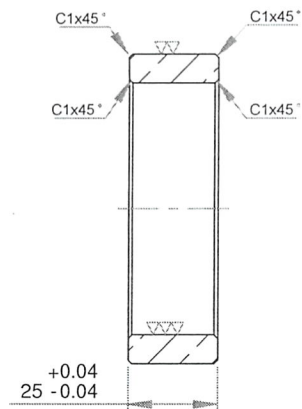
SECTION A-A
SCALE 1 : 7



SCALE 1 : 7



SCALE 1 : 2



SECTION B-B
SCALE 1 : 2

3	BUSHING	2	BRONZE	
2	HOLDER CONNECTING ROD	2	SS-400	SEE 2012-DWG-CPL-TT02-M-020-1
1	SHAFT CONNECTING ROD	1	SS-400+VCN 150	SEE 2012-DWG-CPL-TT02-M-020-1
POS	DESCRIPTION	QTY	MATERIAL	REMARKS
FILE DIR: \\192.168.4.15\mechanical\Draft Nuryana\Proyek Pak Arifin\Connecting Rod Tilling 2\			SCALE: 1:7	DIM: mm ASSY NO.
DRAWN ENDEN 1/11/2018		MECHANICAL ENGINEERING SECTION		
DESIGN AVAILABLE		TITLE TILLING 2		
CHECK YESSIKO		APRV RULLY		
CANCEL DWG NO.		REF DWG NO.		
POLISHING		ASSY CONNECTING ROD		
GRINDING		REV NO. PAGE		
NORMAL MACHINING (SMOOTH SURFACE)		A4 2012-DWG-CPL-TT02-M-020 1		
NORMAL MACHINING (ROUGH SURFACE)		PT SCG LIGHTWEIGHT CONCRETE INDONESIA		

** INCOMING PART WILL BE CHECK. IT WILL RETURN IF NOT PASS **

POLISHING	GRINDING	NORMAL MACHINING (SMOOTH SURFACE)	NORMAL MACHINING (ROUGH SURFACE)
▽▽▽	▽▽	▽	▽

1

2

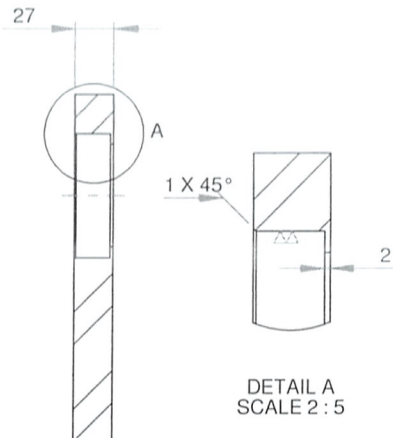
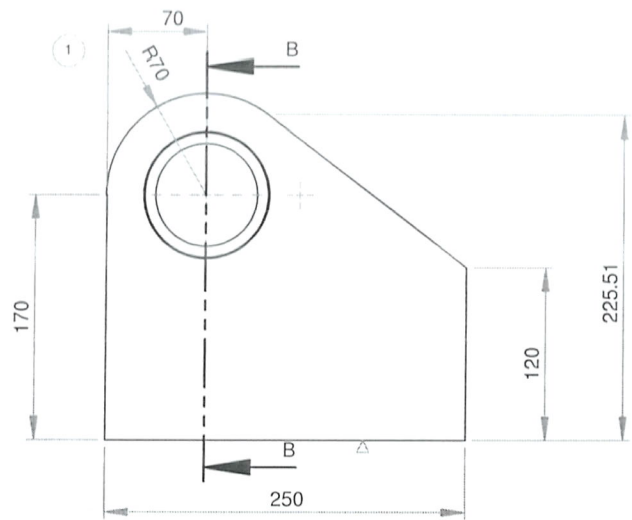
3



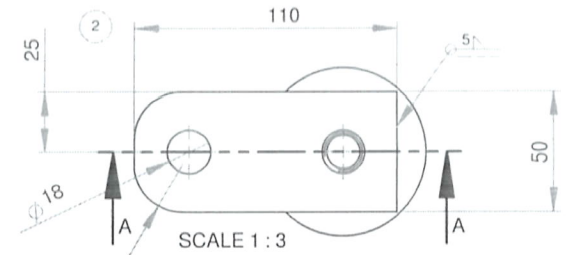
PT SCG LIGHTWEIGHT CONCRETE INDONESIA

A4 2012-DWG-CPL-TT02-M-020

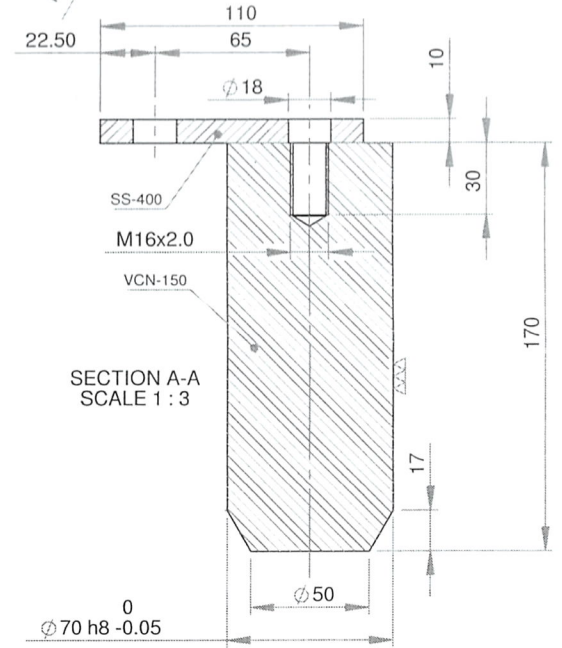
REV NO. PAGE
1



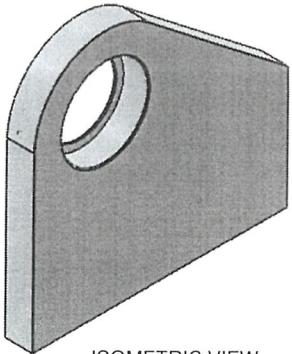
SECTION B-B
SCALE 1 : 5



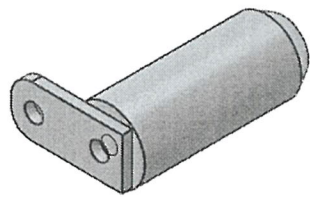
SCALE 1 : 3



SECTION A-A
SCALE 1 : 3



ISOMETRIC VIEW
SCALE 1 : 5



ISOMETRIC VIEW
SCALE 1 : 5

** INCOMING PART WILL BE CHECK. IT WILL RETURN IF NOT PASS **

POLISHING	GRINDING	NORMAL MACHINING (SMOOTH SURFACE)	NORMAL MACHINING (ROUGH SURFACE)
▽▽▽	▽▽	▽	▽

2	HOLDER CONNECTING ROD	2	SS-400	
1	SHAFT CONNECTING ROD	1	-	
POS	DESCRIPTION	QTY	MATERIAL	REMARKS
FILE DIR: \\192.168.4.15\mechanical\Draft Nuryana\Proyek Pak Arifin\Connecting Rod Tilling 2\			SCALE: 1:10	DIM: mm ASSY NO.
MECHANICAL ENGINEERING SECTION				
DIM: mm	NAME	DATE	TITLE TILLING 2	
DRAWN	ENDEN	1/11/2018	PART OF CONNECTING ROD	
DESIGN	AVAILABLE			
CHECK	YESSIKO			
APRV	RULLY			
CANCEL DWG NO.				
REF DWG NO.				