

M 12*1.75

①

Ø 12

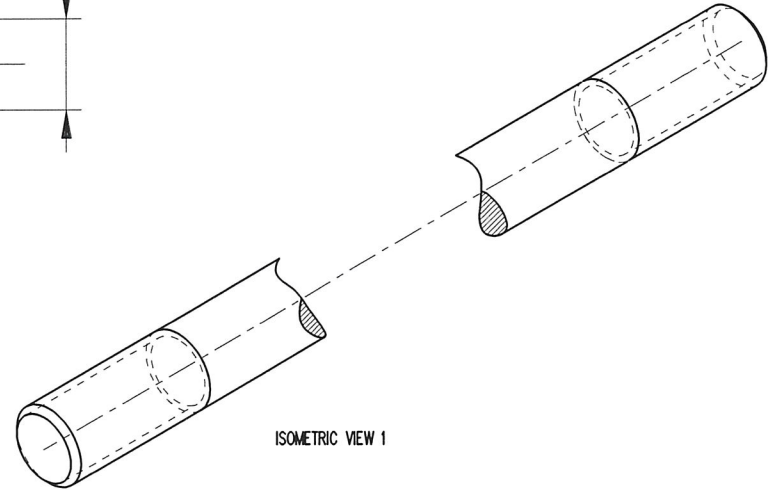
M 12*1.75

25

1270

25

1320



ISOMETRIC VIEW 1

②

L = 12

Ø 17 $\begin{matrix} -0.04 \\ -0.08 \end{matrix}$

M 12*1.75

35

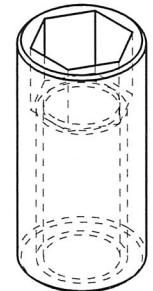
10

C0.5

C0.5

24

25



ISOMETRIC VIEW 2

** INCOMING PART WILL BE CHECK. IT WILL RETURN IF NOT PASS **

| | | | |
|-----------|----------|-----------------------------------|----------------------------------|
| POLISHING | GRINDING | NORMAL MACHINING (SMOOTH SURFACE) | NORMAL MACHINING (ROUGH SURFACE) |
| ▽▽▽ | ▽▽ | ▽ | ▽ |

| | | | | |
|---|--------------|------------|--------------------|------------------------|
| 2 | LOCKING STUD | 1 | S-45C | - |
| 1 | STUD | 1 | S-45C | - |
| POS | DESCRIPTION | QTY | MATERIAL | REMARKS |
| FILE DIR: _ | | SCALE: 1:1 | | DIM: mm |
| ASSY NO. | | | | |
| MECHANICAL ENGINEERING SECTION | | | | |
| DIM: mm | NAME | DATE | SIGN | TITLE |
| DRAWN | ENDEN | 15/MEI/19 | <i>[Signature]</i> | MIXING PLAN - VIBRATOR |
| DESIGN | DADANG | | <i>[Signature]</i> | |
| CHECK | YESSIKO | | <i>[Signature]</i> | |
| APRV | MANUGRAHA | | <i>[Signature]</i> | |
| (*) = GENERAL TOLERANSI ±0.2% x DIMENSION | | | | |
| REF DWG NO. | | | | |

STUD PNEUMATIC VIBRATOR



PT SCG LIGHTWEIGHT CONCRETE INDONESIA

A4

2012-DWG-MPL-VIB01-M-001

REV NO. PAGE