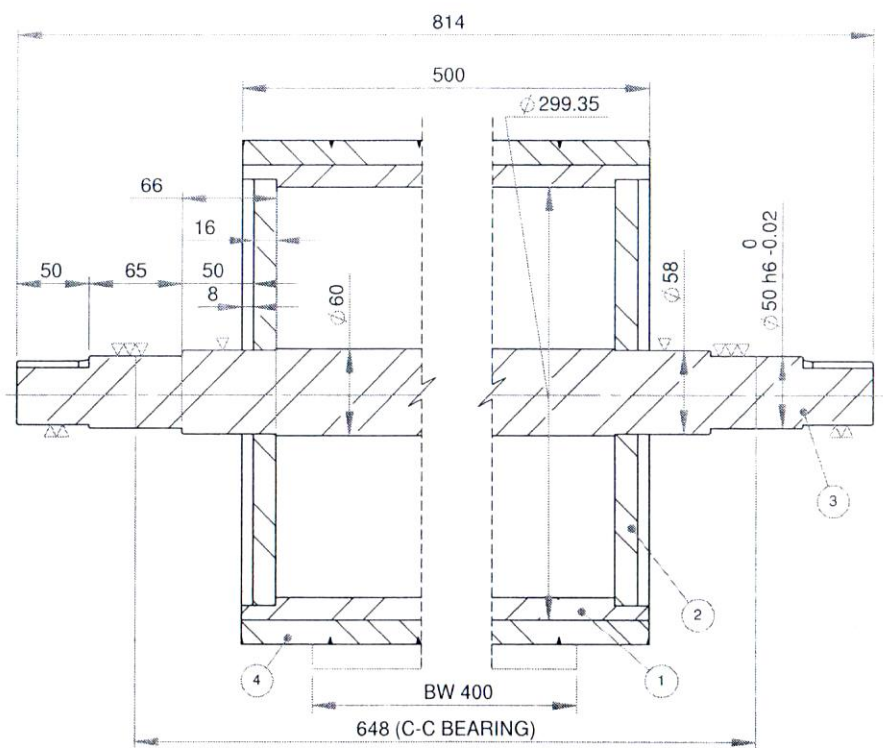
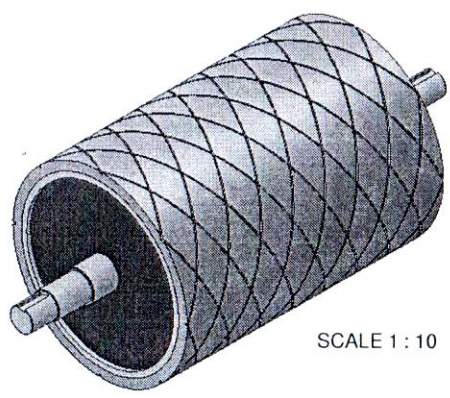


SCALE 1 : 5



SECTION A-A
SCALE 1 : 5



SCALE 1 : 10

POS	DESCRIPTION	QTY	MATERIAL	REMARKS
4	RUBBER LAGGING	1	HERRINGBONE TYPE 55-65 SHORE A	MAKE A FLOW 1.5mm
3	SHAFT	1	S45C	SOLID MATERIAL
2	HOLDER PLATE	1	SS400	SOLID MATERIAL
1	STEEL PIPE 12" SCH80	1	STEEL PIPE 12" SCH80	PIPE

FILE DIR: \\192.168.4.15\mechanical\Draft Nuryana\Proyek Pak Dadang\BC\Head pulley BW-400\	SCALE: 1:5	DIM: mm	ASSY NO.
MECHANICAL ENGINEERING SECTION			
DIM: mm	NAME	DATE	TITLE BW400
DRAWN	ENDEN	12/28/2017	
DESIGN	AVAILABLE		
CHECK	YESSIKO		
APRV	RULLY		
CANCEL DWG NO.			
REF DWG NO.			

** INCOMING PART WILL BE CHECK. IT WILL RETURN IF NOT PASS **

POLISHING	GRINDING	NORMAL MACHINING (SMOOTH SURFACE)	NORMAL MACHINING (ROUGH SURFACE)
▽▽▽	▽▽	▽	▽

HEAD PULLEY