

A

B

C

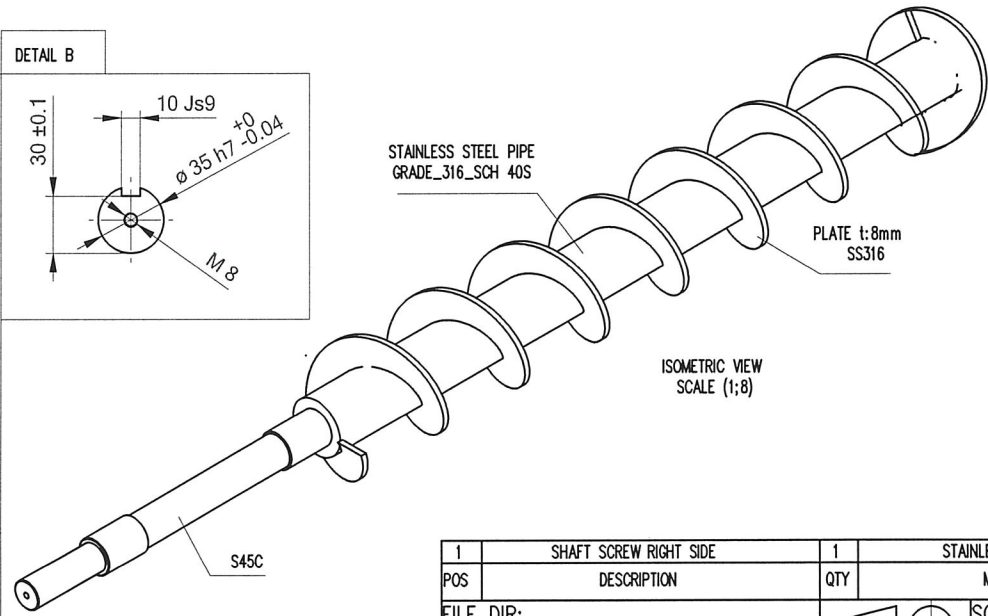
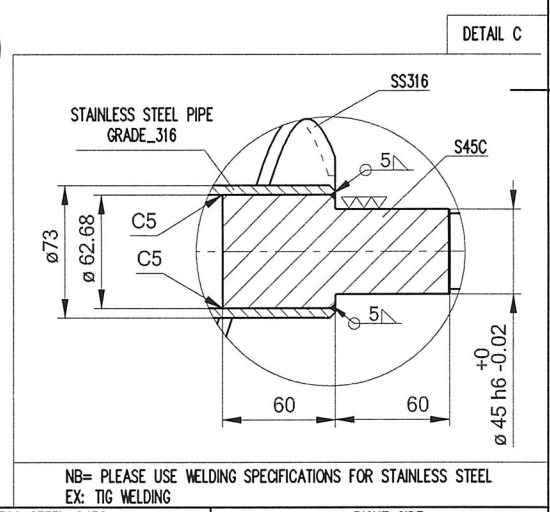
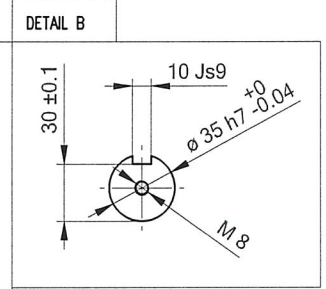
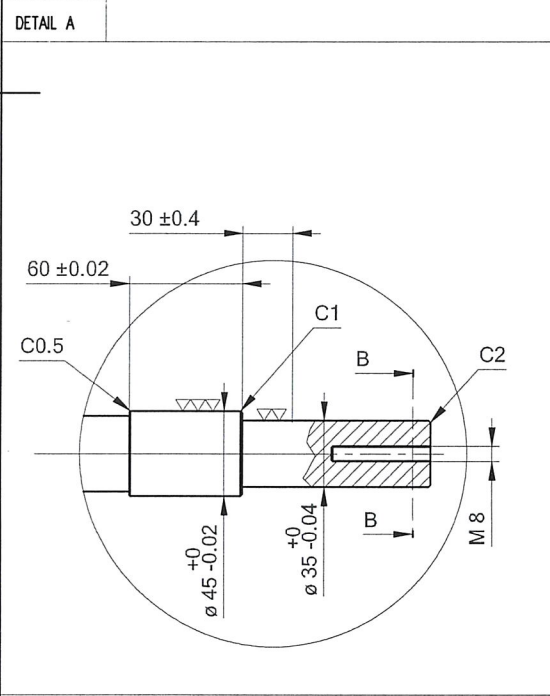
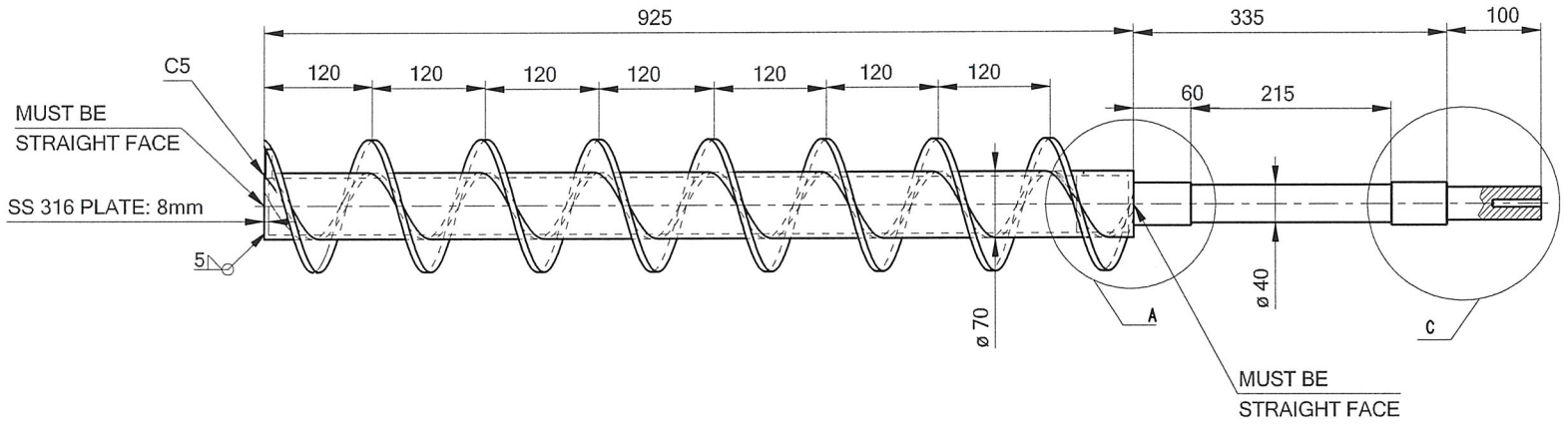
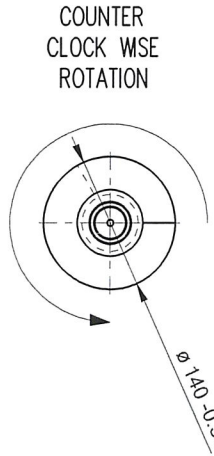
D

A

B

C

D



** INCOMING PART WILL BE CHECK. IT WILL RETURN IF NOT PASS **

POLISHING	GRINDING	NORMAL MACHINING (SMOOTH SURFACE)	NORMAL MACHINING (ROUGH SURFACE)
▽▽▽	▽▽	▽	▽
1	2	3	

1	SHAFT SCREW RIGHT SIDE	1	STAINLESS STEEL+S45C	RIGHT SIDE
POS	DESCRIPTION	QTY	MATERIAL	REMARKS
FILE DIR:			SCALE: 1:8	DIM: mm ASSY NO.
DIM: mm	NAME	DATE	SIGN	MECHANICAL ENGINEERING SECTION
DRAWN	ENDEN	11/JULY/19	<i>[Signature]</i>	TITLE BOILER AND AUTOCLAVE - SCREW PALM KERNEL
DESIGN	ARIEF H	12/10/19	<i>[Signature]</i>	
CHECK	YESSIKO		<i>[Signature]</i>	
APRV	MNUGRAHA		<i>[Signature]</i>	
TITLE SHAFT SCREW RIGHT SIDE				
REF DWG NO.				
PT SCG LIGHTWEIGHT CONCRETE INDONESIA			A4	2012-DWG-BAC-SC-M-001-C
			REV NO.	PAGE
			-	-