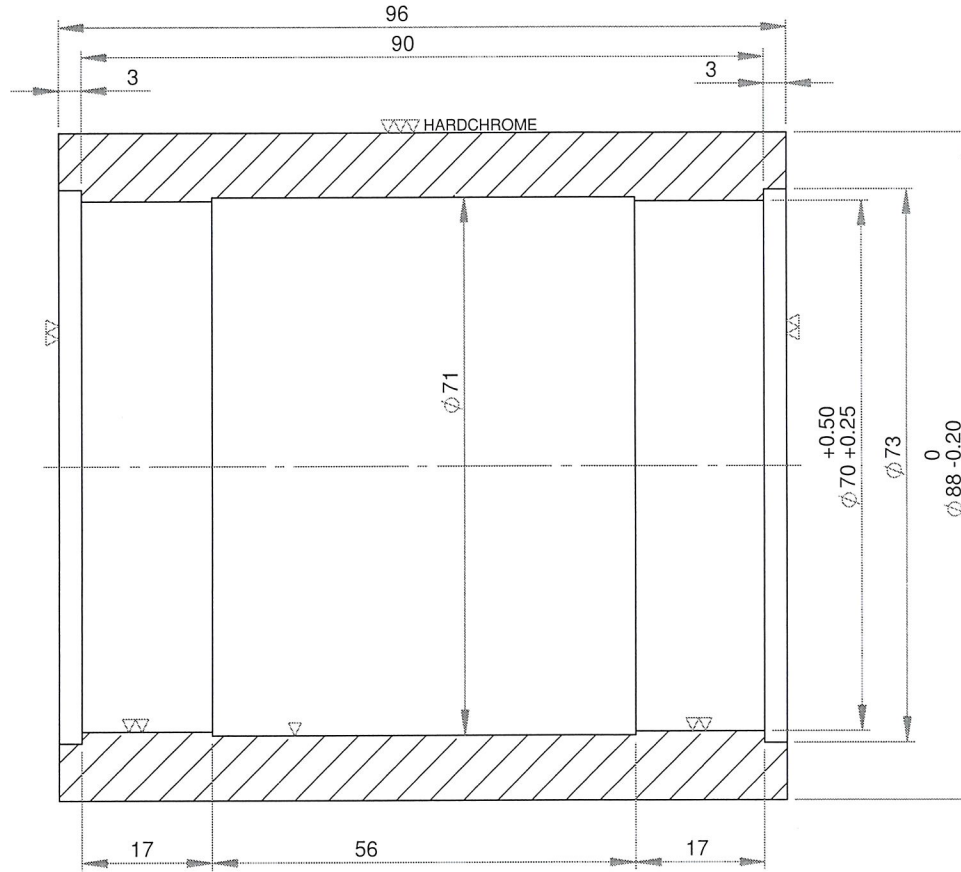


SCALE 1 : 1



SECTION a-a
SCALE 1 : 1

** INCOMING PART WILL BE CHECK. IT WILL RETURN IF NOT PASS **

| | | | |
|-----------|----------|--------------------------------------|-------------------------------------|
| POLISHING | GRINDING | NORMAL MACHINING (SMOOTH SURFACE) | NORMAL MACHINING (ROUGH SURFACE) |
| ▽▽▽ | ▽▽ | ▽ | ▽ |

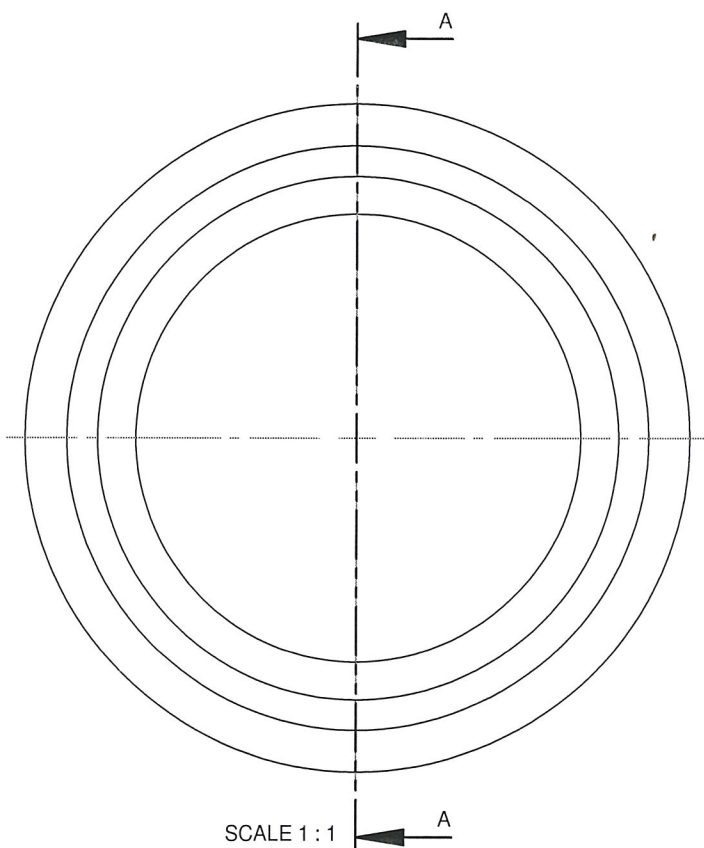
| | | | | |
|---|--------------|--------------------------------|--|-----------|
| 1 | SHAFT SLEEVE | 1 | VCN150 | 52-57 HRC |
| POS | DESCRIPTION | QTY | MATERIAL | REMARKS |
| FILE DIR: \\192.168.4.15\mechanical\Draft Nuryana\Proyek Pak Yessiko\Pump MST16-4\ | | SCALE: 1:2 | | ASSY NO. |
| DIM: mm | | MECHANICAL ENGINEERING SECTION | | |
| DRAWN | ENDEN | 01-Oct-18 | TITLE MIXING PLAN - SLURRY PUMP MST 6/4 | |
| DESIGN | YESSIKO | 1-10-18 | <h2 style="text-align: center;">BACK SHAFT SLEEVE</h2> | |
| CHECK | CHOLIDIN | 2-10-18 | | |
| APRV | M.NUGRAHA | 2-10-18 | | |
| () = GENERAL TOLERANSI ±0.2% x DIMENSION REFF DWG NO. | | | | |



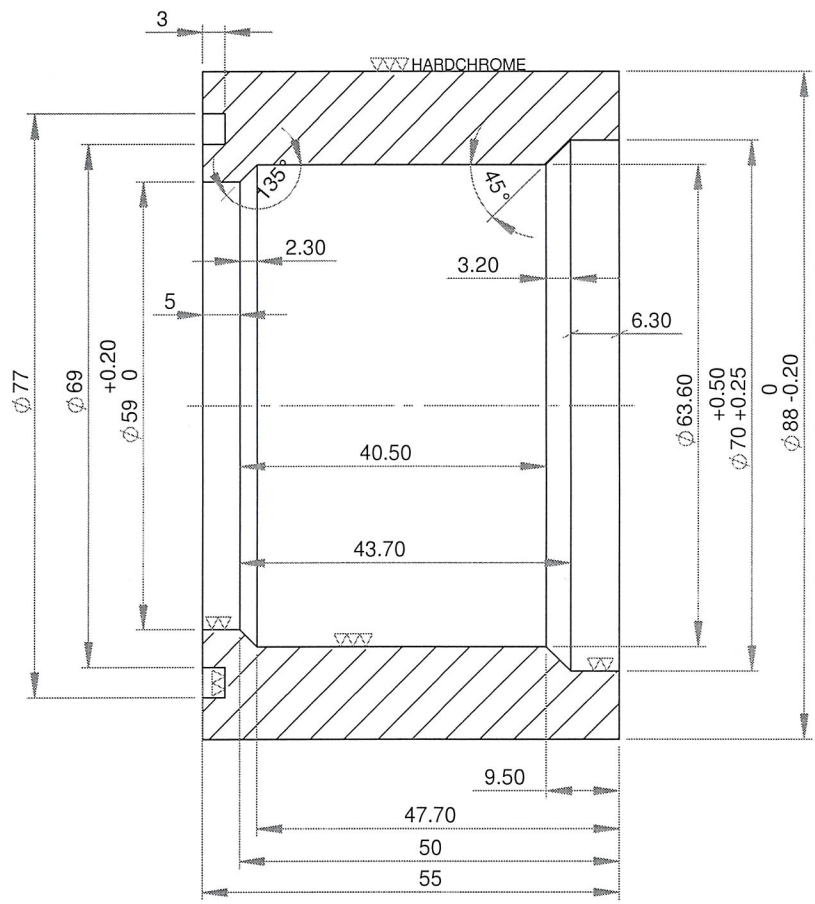
PT SCG LIGHTWEIGHT CONCRETE INDONESIA

A4 2012-DWG-MPL-MS64-M-001-3

REV NO. 2 PAGE 4



SCALE 1 : 1



SECTION A-A
SCALE 1 : 1

** INCOMING PART WILL BE CHECK. IT WILL RETURN IF NOT PASS **

| | | | |
|-----------|----------|-----------------------------------|----------------------------------|
| POLISHING | GRINDING | NORMAL MACHINING (SMOOTH SURFACE) | NORMAL MACHINING (ROUGH SURFACE) |
| ▽▽▽ | ▽▽ | ▽ | ▽ |

| | | | | |
|---|-----------------|------------|----------|---------------------|
| 1 | SHAFT SLEEVE 02 | 1 | VCN 150 | HARDENING 52-57 HRC |
| POS | DESCRIPTION | QTY | MATERIAL | REMARKS |
| FILE DIR: \\192.168.4.15\mechanical\Draft Nuryana\Proyek Pak Yessiko\Pump MST\6-4\ | | SCALE: 1:2 | | DIM: mm |
| DIM: mm | | NAME | | DATE |
| DRAWN | | ENDEN | | 01-Oct-18 |
| DESIGN | | YESSIKO | | 1-10-18 |
| CHECK | | CHOLIDIN | | 1-10-18 |
| APRV | | M.NUGRAHA | | 2-10-18 |
| TITLE MIXING PLAN - SLURRY PUMP MST 6/4 | | | | |
| FRONT SHAFT SLEEVE | | | | |
| REFF DWG NO. | | | | |