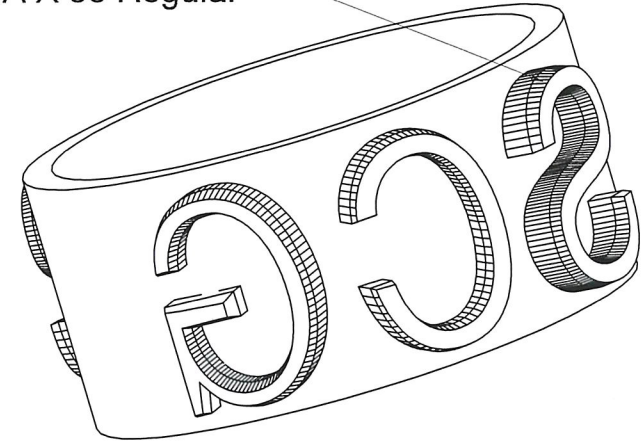
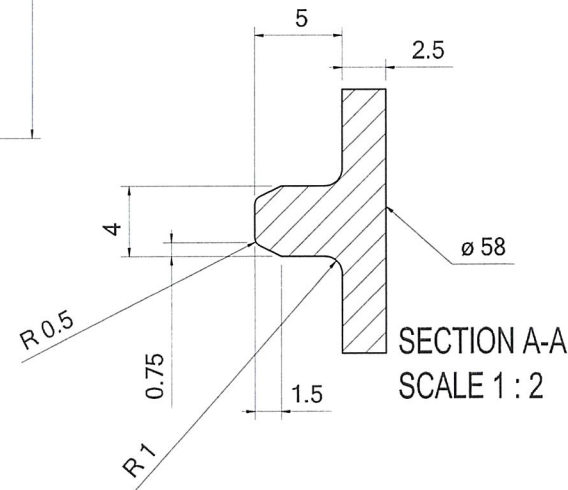
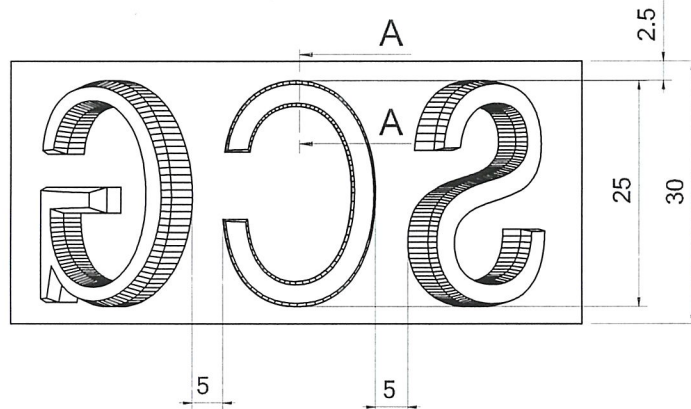


TYPE OF FONT :
DB HELVETHAICA X 55 Regular



ISOMETRIC VIEW



SECTION A-A
SCALE 1:2

** INCOMING PART WILL BE CHECK. IT WILL RETURN IF NOT PASS **

POLISHING	GRINDING	NORMAL MACHINING (SMOOTH SURFACE)	NORMAL MACHINING (ROUGH SURFACE)
-----------	----------	-----------------------------------	----------------------------------

2	-	-	-
1	RUBBER STAMPING SCG	1	POLYURETHANE 70-75 SHORE A
POS	DESCRIPTION	QTY	MATERIAL REMARKS
FILE DIR:		SCALE: 1:1	DIM: mm
DIM: mm	NAME	DATE	MECHANICAL ENGINEERING SECTION
DRAWN	SIGIT	01-OCT-2018	TITLE CUTTING PLANT
DESIGN	available		RUBBER STAMPING SCG
CHECK	YESSIKO		
APRV	NUGI	05/11/18	
CANCEL DWG NO.			
REFP DWG NO.			
PT SCG LIGHTWEIGHT CONCRETE INDONESIA		A4	2012-DWG-CPL-ST2-M-001
		REV. NO.	PAGE 1