

A

A

B

B

C

C

D

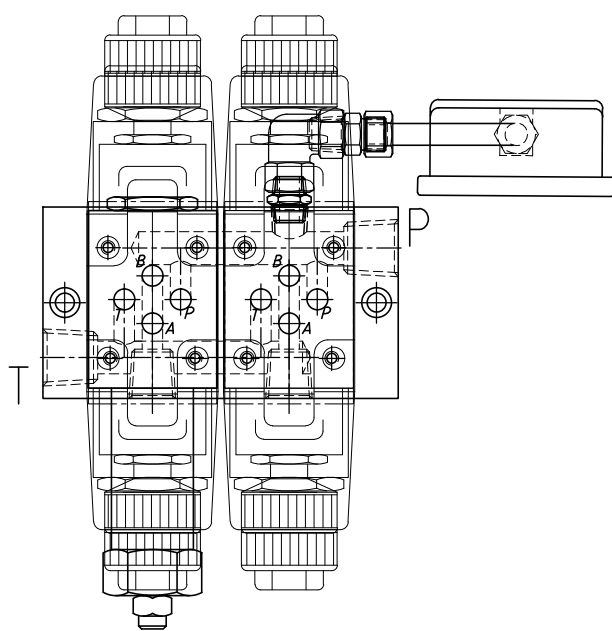
D

E

E

F

F

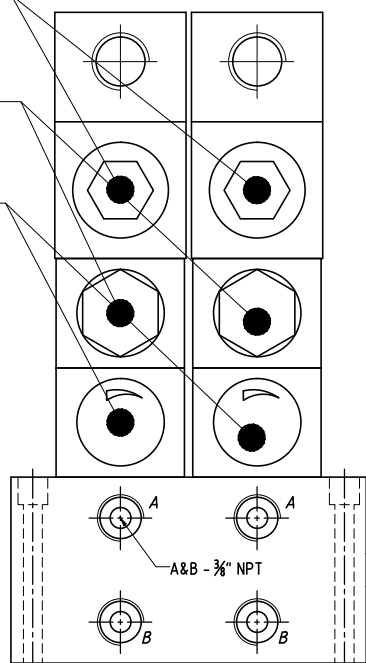


Pressure gauge

Sol. DSG-01-3C4-D24V

Modular Pilot Check MPW-01

Modular Flow Control MSW-01



A&B - 3/8" NPT

| Itemref | Quantity | Title/Name, designation, material, dimension etc | | Article No./Reference | |
|----------------------------|----------|--|---------------------------------------|-----------------------|-------|
| Designed by | | Checked by | File Name | Date | Scale |
| BEST TO FLOW SYSTEM | | | Title DWG No.040419-HPU 100L-2 | | |
| Customer | | | | | |