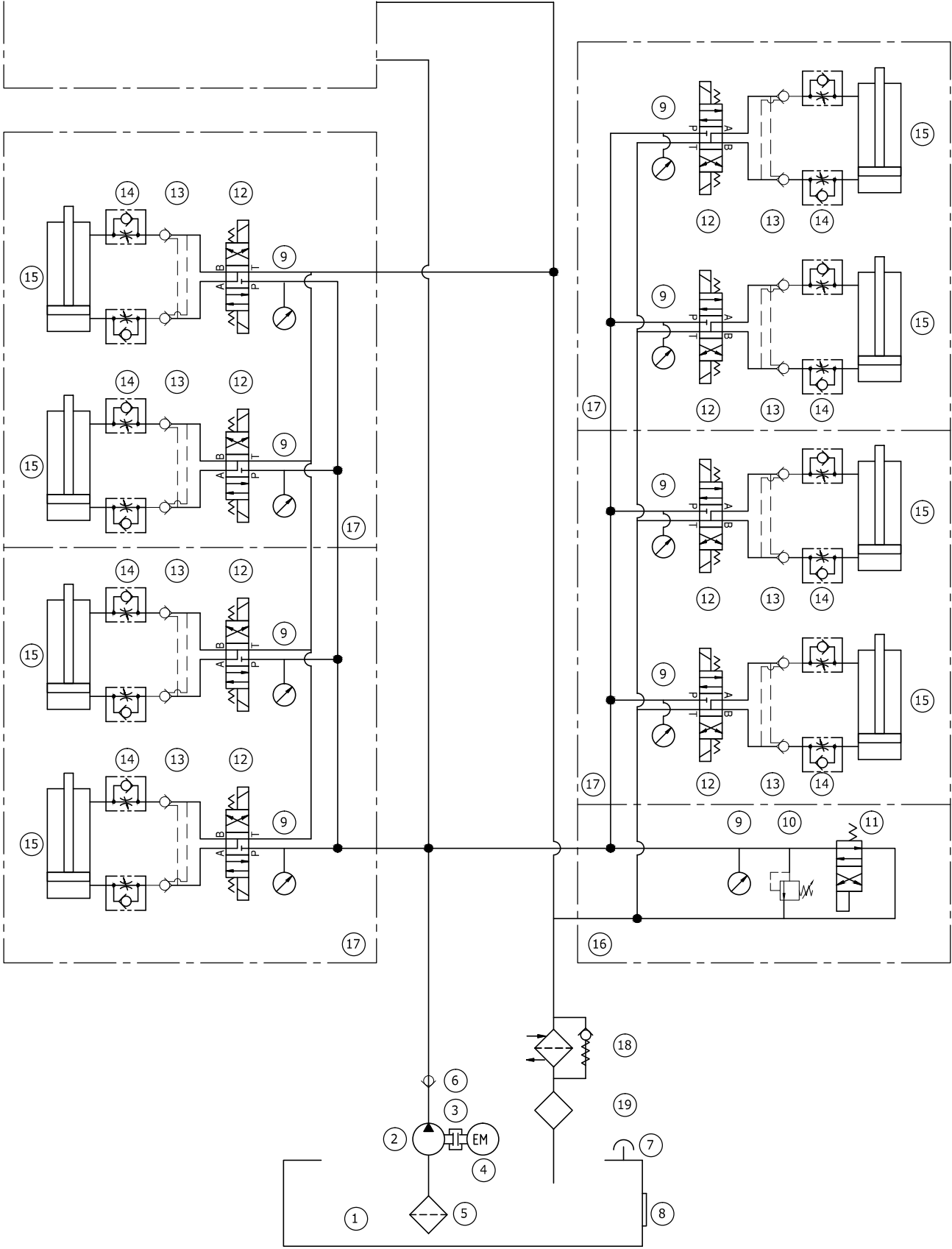


SAME SYMBOL 16 SET



Itemref	Quantity	Title/Name, designation, material, dimension etc		Article No./Reference	
Designed by		Checked by	File Name	Date	Scale
<b>BEST TO FLOW SYSTEM</b>			Title <b>DWG No.040419-HPU 100L-3</b>		
Customer				