

Parts List

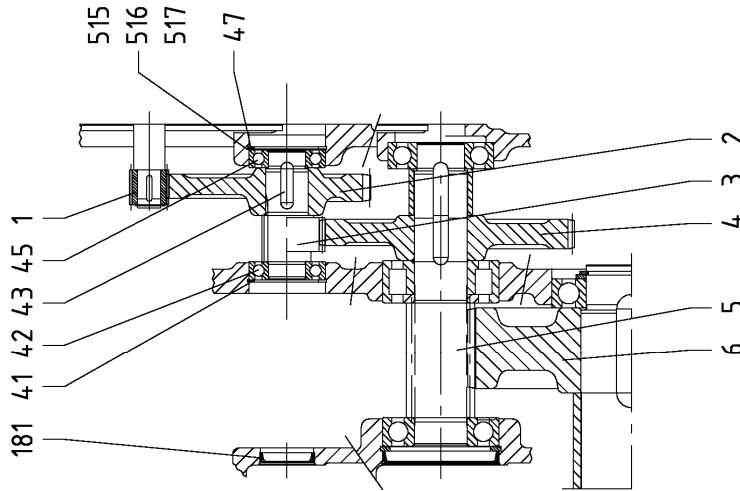
Helical gear unit
R77

01 252 08 96

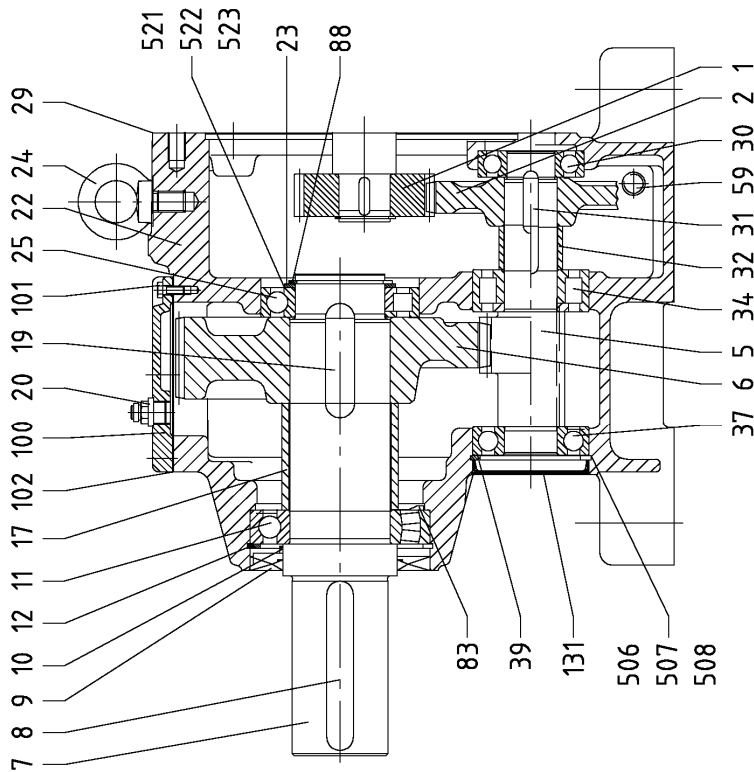
SEW
EURODRIVE

EN Page 1 / 3
EG 06.11.2012

3-stage



2-stage



When ordering spare parts always quote nameplate data with serial number and designation with part number!
Mount-on gear units have motors, variable speed gear units or special input shaft assemblies mounted on the drive end. For parts see appropriate parts list.

Copyright reserved! All rights reserved according to DIN ISO 16016.

SEW-EURODRIVE GmbH & Co KG Postfach 3023, D-76642 Bruchsal Tel. (07251) 75-0. Fax (07251) 75-1970. <http://www.sew.de>

Parts List

01 252 08 96



Helical gear unit
R77

EN Page 2 / 3
EG 06.11.2012

No.	Description	Additional specifications	SEW standard label	Part No.	Qty.
1	Pinion			*	1
2	Gear			*	1
3	Pinion shaft			*	1
4	Gear			*	1
5	Pinion shaft			*	1
6	Gear			*	1
7	Output shaft		Ø 40x80 mm	06411444	1
7	Output shaft	stainless; ASEPTICplus	Ø 40x80 mm	00452580	1
7	Output Shaft (inch)		Ø 1,625x3,15 in.	06411452	1
8	Key		DIN6885-1 A12x8x70 +C	0010034X	1
8	Key	stainless; ASEPTICplus	DIN6885-1 A12x8x70 Niro	13228226	1
8	Key (inch)		W4190 B3/8x3/8x2-1/4 +C	08069247	1
9	Oil seal		W BASF52x100x10/7-NBR	00177849	1
9	Oil seal	optional oil seal in FKM; ATEX model according to category II2G, II2D, II3G, II3D; ASEPTICplus	W BASF52x100x10/7-FKM	00178241	1
10	Oil seal	Double sealing; ATEX model according to category II2G, II2D, II3G, II3D; ASEPTICplus	W B1SF52x94x8/11,5-FKM	00174297	1
11	Deep groove ball bearing		6309-Z	00105260	1
11	Spherical roller bearing	Reinforced bearings	21309	00110914	1
12	Retaining ring		DIN472 100x3-FS	00103276	1
17	Spacer tube		Ø46xØ55x37,7 mm	06411037	1
19	Key		DIN6885-1 B14x9x40 55HRC	00100609	1
20	Breather valve		W4087 M12x1,5-CuZn-HEI	00130311	1
20	Breather valve	stainless; ASEPTICplus	W4087 M12x1,5-Niro-HEI	00136247	1
22	Gear Housing			06411118	1
23	Supporting disc		DIN988 S40x50x2,5-FS	00103527	1
24	Lifting eye bolt		DIN580 M10-C15E-A2F	00102296	1
25	Deep groove ball bearing		6208	00104906	1
25	Cylindrical roller bearing	Reinforced bearings	NUP208E	00136972	1
29	Sealing compound			09102558	X)
30	Deep groove ball bearing		6304	00105082	1
31	Key		DIN6885-1 B8x7x18 55HRC	00134856	1
32	Spacer tube		Ø25,6xØ30x27,5 mm	06411045	1
34	Cylindrical roller bearing		BC1-0312-SKF	00136956	1
37	Deep groove ball bearing		6304	00105082	1
37	Deep groove ball bearing	Only for mounting positions M2, MX	6304-Z	0010521X	1
39	Retaining ring		DIN472 52x2-FS	00103195	1
41	Retaining ring		DIN472 47x1,75-FS	00103187	1
42	Deep groove ball bearing		6303	00105074	1
43	Key		DIN6885-1 B6x6x12 55HRC	0013483X	1
45	Deep groove ball bearing		6303	00105074	1
47	Retaining ring		DIN472 47x1,75-FS	00103187	1
59	Screw plug		W4085 M12x1,5-St-ADC3K	00114308	5
83	Shield ring	Reinforced bearings	W4585 6309-AV	00107212	1
88	Retaining ring		DIN471 40x1,75-FS	00102830	1
100	Gearcase cover			06412548	1
101	Hex head screw		ISO4017 M6x16-8.8-A2F	00101052	8
102	Gasket			0643505X	1
131	Closing cap		W4300 1-52x7	00124435	1
181	Closing cap		W4300 1-24x7	00124443	1
506	Shim		DIN988 42x52x0,1-St	00103756	X)

* Gearing parts have embossed part numbers. These must always be quoted!

X) if required

When ordering spare parts always quote nameplate data with serial number and designation with part number!

Mount-on gear units have motors, variable speed gear units or special input shaft assemblies mounted on the drive end. For parts see appropriate parts list.

Copyright reserved! All rights reserved according to DIN ISO 16016.

SEW-EURODRIVE GmbH & Co KG Postfach 3023, D-76642 Bruchsal Tel. (07251) 75-0. Fax (07251) 75-1970. <http://www.sew.de>

Parts List

01 252 08 96

SEW
EURODRIVE

Helical gear unit

R77

EN Page 3 / 3

EG 06.11.2012

No.	Description	Additional specifications	SEW standard label	Part No.	Qty.
507	Shim		DIN988 42x52x0,3-St	00103993	X)
508	Shim		DIN988 42x52x0,5-St	00120413	X)
515	Shim		DIN988 37x47x0,1-St	0010373X	X)
516	Shim		DIN988 37x47x0,3-St	00103977	X)
517	Shim		DIN988 37x47x0,5-St	00123404	X)
521	Shim		DIN988 40x50x0,1-St	00103748	X)
522	Shim		DIN988 40x50x0,3-St	00103985	X)
523	Shim		DIN988 40x50x0,5-St	00123463	X)

X) if required

When ordering spare parts always quote nameplate data with serial number and designation with part number!

Mount-on gear units have motors, variable speed gear units or special input shaft assemblies mounted on the drive end. For parts see appropriate parts list.

Copyright reserved! All rights reserved according to DIN ISO 16016.

SEW-EURODRIVE GmbH & Co KG Postfach 3023, D-76642 Bruchsal Tel. (07251) 75-0. Fax (07251) 75-1970. <http://www.sew.de>