

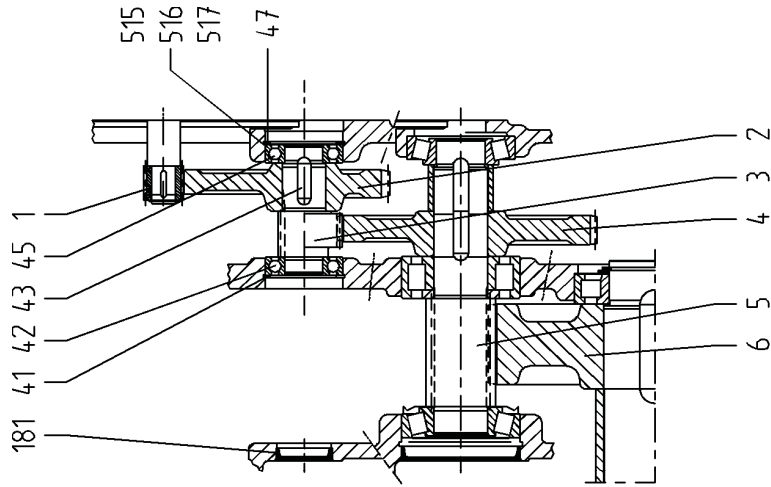
**Parts List**  
 Helical gear unit  
 RF107

01 263 07 96

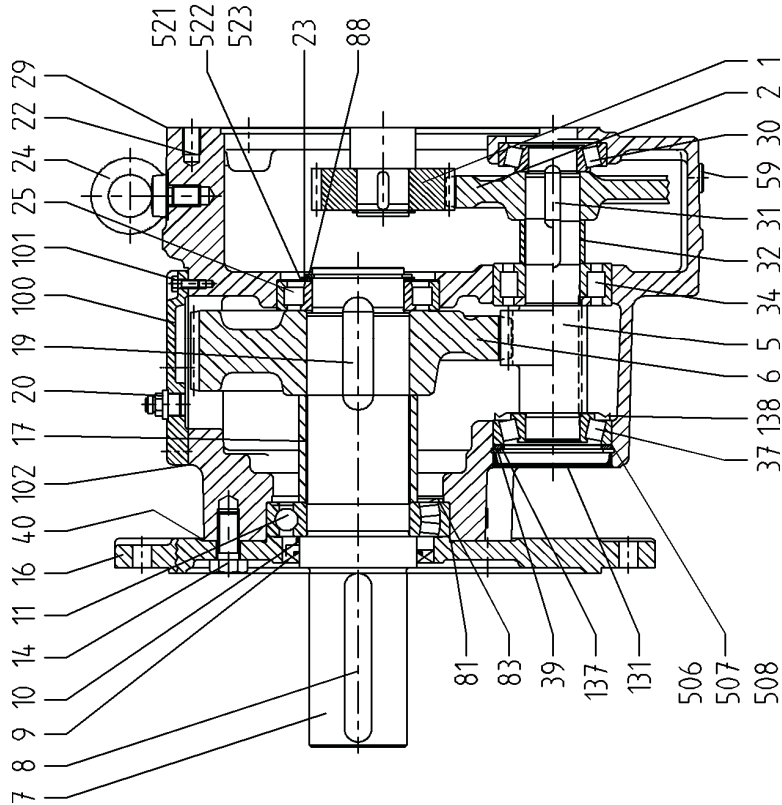


EN Page 1 / 3  
 EG 06.11.2012

3-stage



2-stage



Mount-on gear units have motors, variable speed gear units or special input shaft assemblies mounted on the drive end. For parts see appropriate parts list.  
 When ordering spare parts always quote nameplate data with serial number and designation with part number!

Copyright reserved! All rights reserved according to DIN ISO 16016.

SEW-EURODRIVE GmbH & Co KG Postfach 3023, D-76642 Bruchsal Tel. (07251) 75-0. Fax (07251) 75-1970. <http://www.sew.de>

# Parts List

01 263 07 96



Helical gear unit  
RF107

EN Page 2 / 3  
EG 06.11.2012

No.	Description	Additional specifications	SEW standard label	Part No.	Qty.
1	Pinion			*	1
2	Gear			*	1
3	Pinion shaft			*	1
4	Gear			*	1
5	Pinion shaft			*	1
6	Gear			*	1
7	Output shaft		Ø 70x140 mm	06411509	1
7	Output Shaft (inch)		Ø 2,875x5,51 in.	06411517	1
8	Key		DIN6885-1 A20x12x125 +C	00135313	1
8	Key (inch)		W4190 B3/4x3/4x4-1/8 +C	08069662	1
9	Oil seal		W BASF82x120x13/10-NBR	00177938	1
9	Oil seal	optional oil seal in FKM; ATEX model according to category II2G, II2D, II3G, II3D	W BASF82x120x13/10-FKM	00178330	1
10	Oil seal	Double sealing as an option; ATEX model according to category II2G, II2D, II3G, II3D	W B1SF82x113x10/16,5-FKM	00173932	1
11	Deep groove ball bearing		6315-Z	00110779	1
11	Spherical roller bearing	Reinforced bearings	21315	00110884	1
14	Hex head screw		ISO4017 M16x40-8.8-A2F	00101273	8
16	Output Flange		Ø 350 mm	06411592	1
16	Output Flange		Ø 450 mm	06411614	1
17	Spacer tube		Ø76xØ90x57,5 mm	06411096	1
19	Key		DIN6885-1 B22x14x80 55HRC	00114944	1
20	Breather valve		W4087 M22x1,5-CuZn-HEI	0013032X	1
22	Gear Housing			06411339	1
23	Supporting disc		DIN988 S70x90x3,5-FS	00103586	1
24	Lifting eye bolt		DIN580 M20-C15E-A2F	00102326	1
25	Cylindrical roller bearing		NJ214E	00136921	1
29	Sealing compound			03207013	X)
30	Tapered roller bearing		30307	00124680	1
31	Key		DIN6885-1 B12x8x40 55HRC	00100587	1
32	Spacer tube		Ø41xØ48x36 mm	06411622	1
34	Cylindrical roller bearing		NUP2308E	00137065	1
37	Tapered roller bearing		30308	00106046	1
39	Retaining ring		DIN472 90x3-FS	00103268	1
40	Sealing compound			09102558	X)
41	Retaining ring		DIN472 80x2,5-FS	00103241	1
42	Deep groove ball bearing		6405	00105384	1
43	Key		DIN6885-1 B10x8x25 55HRC	00110035	1
45	Deep groove ball bearing		6405	00105384	1
47	Retaining ring		DIN472 80x2,5-FS	00103241	1
59	Screw plug		W4085 M22x1,5-St-ADC3K	00114316	5
81	O-ring		W4283 155x3-NBR70	00139521	1
83	Shield ring	Reinforced bearings	W4585 6315-AV	00111163	1
88	Retaining ring		DIN471 70x2,5-FS	00102954	1
100	Gearcase cover			06411533	1
101	Hex head screw		ISO4017 M8x20-8.8-A2F	00110256	10
102	Sealing compound			09102558	X)
131	Closing cap		W4300 1-90x12	00111627	1
137	Supporting disc		W4140 S75x90x3,5-FS	00120340	1
138	Shield ring		W4587 30308-AV	00118184	1
181	Closing cap		W4300 1-52x10	00106917	1
506	Shim		W4140 75x90x0,1-St	00120545	X)

\* Gearing parts have embossed part numbers. These must always be quoted!

X) if required

Mount-on gear units have motors, variable speed gear units or special input shaft assemblies mounted on the drive end. For parts see appropriate parts list.

When ordering spare parts always quote nameplate data with serial number and designation with part number!

Copyright reserved! All rights reserved according to DIN ISO 16016.

SEW-EURODRIVE GmbH & Co KG Postfach 3023, D-76642 Bruchsal Tel. (07251) 75-0. Fax (07251) 75-1970. <http://www.sew.de>

# Parts List

01 263 07 96



Helical gear unit  
RF107

EN Page 3 / 3  
EG 06.11.2012

No.	Description	Additional specifications	SEW standard label	Part No.	Qty.
507	Shim		W4140 75x90x0,3-St	00120553	X)
508	Shim		W4140 75x90x0,5-St	00120561	X)
515	Shim		DIN988 63x80x0,1-St	00103799	X)
516	Shim		DIN988 63x80x0,3-St	00104035	X)
517	Shim		DIN988 63x80x0,5-St	00104191	X)
521	Shim		W4140 70x85x0,1-St	00120626	X)
522	Shim		W4140 70x85x0,3-St	00120634	X)
523	Shim		W4140 70x85x0,5-St	00120642	X)

X) if required

Mount-on gear units have motors, variable speed gear units or special input shaft assemblies mounted on the drive end. For parts see appropriate parts list.

When ordering spare parts always quote nameplate data with serial number and designation with part number!

Copyright reserved! All rights reserved according to DIN ISO 16016.

SEW-EURODRIVE GmbH & Co KG Postfach 3023, D-76642 Bruchsal Tel. (07251) 75-0. Fax (07251) 75-1970. <http://www.sew.de>