

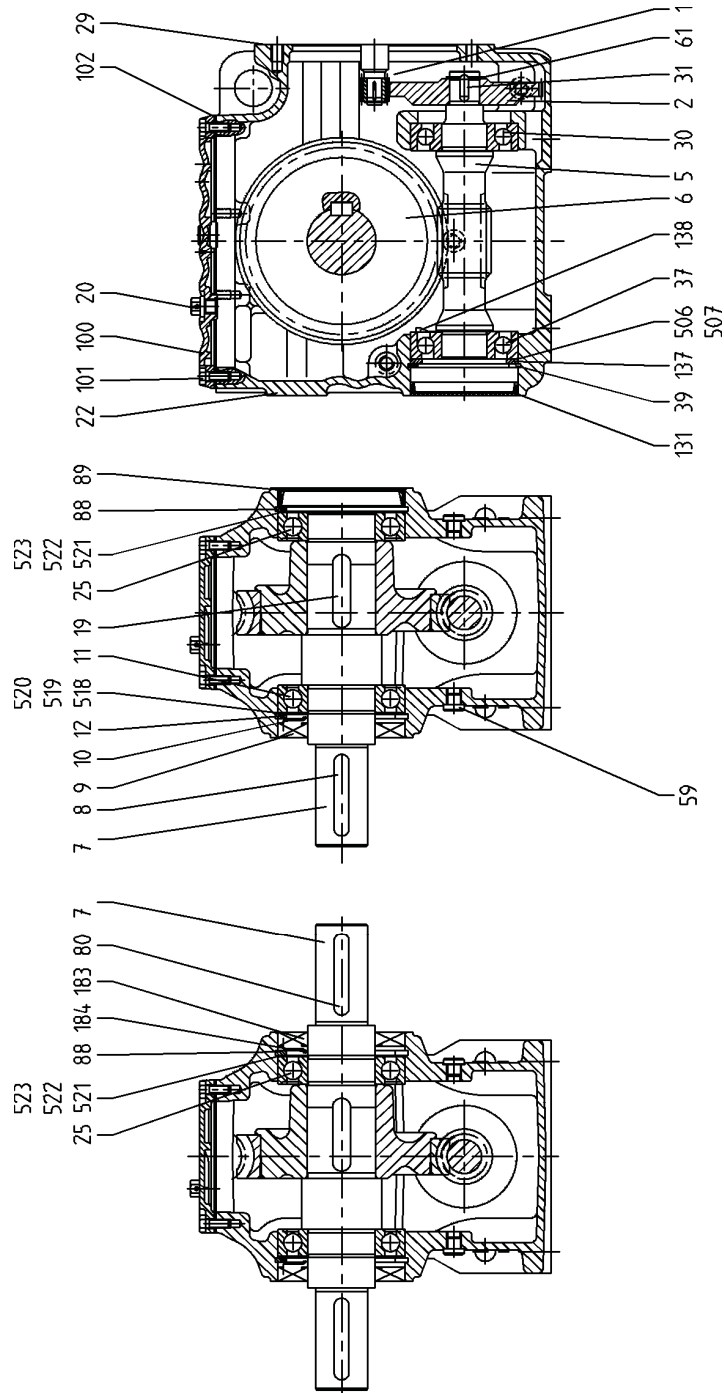
Parts List

02 254 08 96



Helical-worm gear unit
S67

EN Page 1 / 3
EG 07.11.2012



Mount-on gear units have motors, variable speed gear units or special input shaft assemblies mounted on the drive end. For parts see appropriate parts list.
When ordering spare parts always quote nameplate data with serial number and designation with part number!

Copyright reserved! All rights reserved according to DIN ISO 16016.

SEW-EURODRIVE GmbH & Co KG Postfach 3023, D-76642 Bruchsal Tel. (07251) 75-0. Fax (07251) 75-1970. <http://www.sew.de>

Parts List

02 254 08 96



Helical-worm gear unit
S67

EN Page 2 / 3
EG 07.11.2012

No.	Description	Additional specifications	SEW standard label	Part No.	Qty.
1	Pinion			*	1
2	Gear			*	1
5	Worm			*	1
6	Worm gear			*	1
7	Output shaft		Ø 35x70 mm	06440436	1
7	Output Shaft (inch)		Ø 1,375x2,76 in.	06440827	1
7	Output shaft 2nd shaft end		Ø 35x70 mm	06440444	1
7	Output shaft	stainless; ASEPTICplus	Ø 35x70 mm	00452688	1
7	Output shaft 2nd shaft end (inch)		Ø 1,375x2,76 in.	06440835	1
8	Key		DIN6885-1 A10x8x56 +C	00100293	1
8	Key	stainless; ASEPTICplus	DIN6885-1 A10x8x56 Niro	13228218	1
8	Key (inch)		W4190 B5/16x5/16x1-13/16 +C	08069239	1
9	Oil seal		W BASF45x85x10/7-NBR	0017775X	1
9	Oil seal	optional oil seal in FKM; ATEX model according to category II2G, II2D, II3G, II3D; ASEPTICplus	W BASF45x85x10/7-FKM	00178152	1
10	Oil seal	Double sealing as an option; ATEX model according to category II2G, II2D, II3G, II3D; ASEPTICplus	W B1SF45x79x8/11,5-FKM	00174203	1
11	Deep groove ball bearing		6209-Z	00134775	1
12	Retaining ring		DIN472 85x3-FS	0010325X	1
19	Key		DIN6885-1 A12x8x50 +C	00100331	1
20	Breather valve		W4087 M10x1-CuZn-HEI	00130303	1
20	Breather valve	stainless; ASEPTICplus	W4087 M10x1-Niro-HEI	00136239	1
22	Gear Housing			06440193	1
25	Deep groove ball bearing		6209-Z	00134775	1
29	Sealing compound			09102558	X)
30	Angular contact ball bearing		7306B	00105643	1
31	Key		DIN6885-1 B6x6x12 55HRC	0013483X	1
37	Angular contact ball bearing		7306B	00105643	1
39	Retaining ring		DIN472 72x2,5-FS	00103225	1
59	Screw plug		W4085 M10x1-St-ADC3K	0011426X	7
61	Retaining ring		DIN471 20x1,2-FS	00102717	1
80	Key		DIN6885-1 A10x8x56 +C	00100293	1
80	Key (inch)		W4190 B5/16x5/16x1-13/16 +C	08069239	1
88	Retaining ring		DIN472 85x3-FS	0010325X	1
89	Closing cap		W4300 1-85x12	0012415X	1
100	Gearcase cover			06432107	1
101	Hex head screw		ISO4017 M6x16-8.8-A2F	00101052	8
102	Gasket			0643505X	1
131	Closing cap		W4300 1-72x9	00106925	1
137	Supporting disc		DIN988 S56x72x3-FS	0010356X	1
138	Shield ring	Only for mounting positions M2, M3, MX	W4585 7306-AVH	00136832	1
183	Oil seal		W BASF45x85x10/7-NBR	0017775X	1
183	Oil seal	optional oil seal in FKM; ATEX model according to category II3G, II3D; ASEPTICplus	W BASF45x85x10/7-FKM	00178152	1
184	Oil seal	Double sealing as an option; ATEX model according to category II2G, II2D, II3G, II3D; ASEPTICplus	W B1SF45x79x8/11,5-FKM	00174203	1
506	Shim		DIN988 56x72x0,1-St	00103772	X)
507	Shim		DIN988 56x72x0,3-St	00104019	X)

* Gearing parts have embossed part numbers. These must always be quoted!

X) if required

Mount-on gear units have motors, variable speed gear units or special input shaft assemblies mounted on the drive end. For parts see appropriate parts list.

When ordering spare parts always quote nameplate data with serial number and designation with part number!

Copyright reserved! All rights reserved according to DIN ISO 16016.

SEW-EURODRIVE GmbH & Co KG Postfach 3023, D-76642 Bruchsal Tel. (07251) 75-0. Fax (07251) 75-1970. <http://www.sew.de>

Parts List

02 254 08 96



Helical-worm gear unit
S67

EN Page 3 / 3
EG 07.11.2012

No.	Description	Additional specifications	SEW standard label	Part No.	Qty.
518	Shim		W4140 70x85x0,1-St	00120626	X)
519	Shim		W4140 70x85x0,3-St	00120634	X)
520	Shim		W4140 70x85x0,5-St	00120642	X)
521	Shim		W4140 70x85x0,1-St	00120626	X)
522	Shim		W4140 70x85x0,3-St	00120634	X)
523	Shim		W4140 70x85x0,5-St	00120642	X)

X) if required

Mount-on gear units have motors, variable speed gear units or special input shaft assemblies mounted on the drive end. For parts see appropriate parts list.

When ordering spare parts always quote nameplate data with serial number and designation with part number!

Copyright reserved! All rights reserved according to DIN ISO 16016.

SEW-EURODRIVE GmbH & Co KG Postfach 3023, D-76642 Bruchsal Tel. (07251) 75-0. Fax (07251) 75-1970. <http://www.sew.de>