

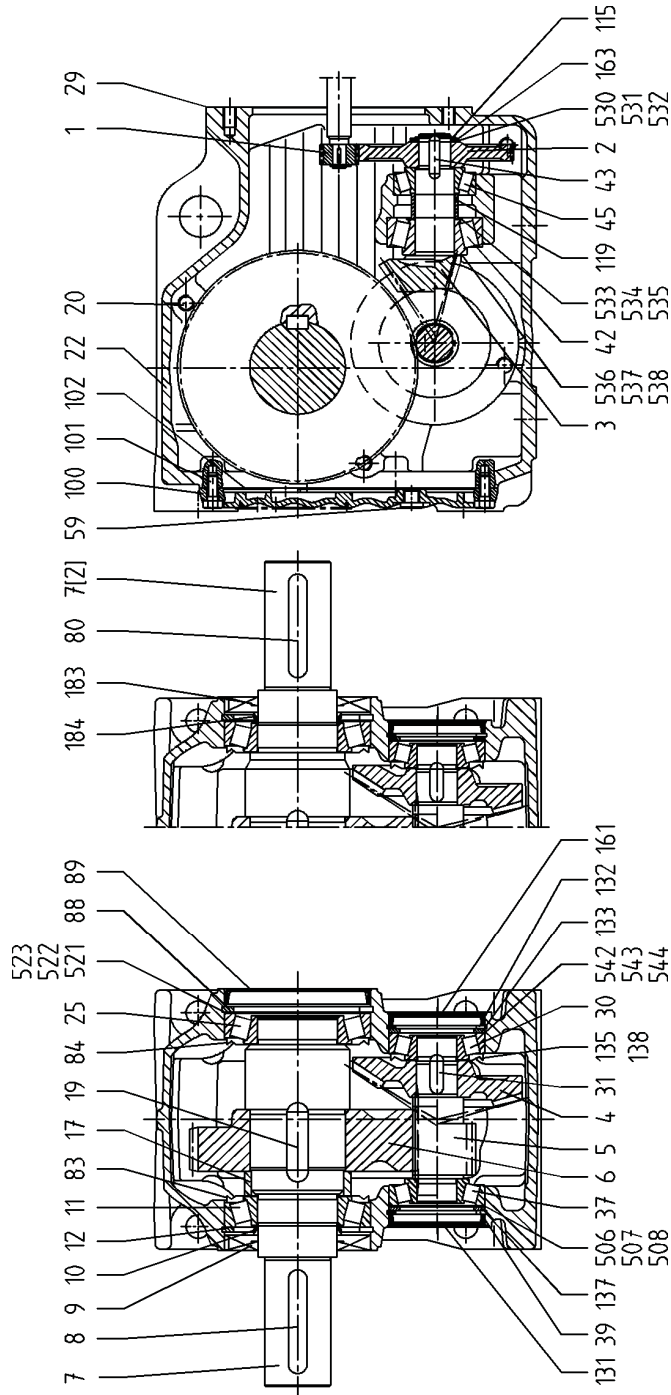
# Parts List

33 257 10 95



Helical-bevel gear unit  
K77

EN Page 1 / 3  
EG 12.11.2012



Mount-on gear units have motors, variable speed gear units or special input shaft assemblies mounted on the drive end. For parts see appropriate parts list.

When ordering spare parts always quote nameplate data with serial number and designation with part number!

Copyright reserved! All rights reserved according to DIN ISO 16016.

SEW-EURODRIVE GmbH & Co KG Postfach 3023, D-76642 Bruchsal Tel. (07251) 75-0. Fax (07251) 75-1970. <http://www.sew.de>

# Parts List

# 33 257 10 95



Helical-bevel gear unit  
K77

EN Page 2 / 3  
EG 12.11.2012

No.	Description	Additional specifications	SEW standard label	Part No.	Qty.
1	Pinion			*	1
2	Gear			*	1
3	Pinion shaft			*	1
4	Gear			*	1
5	Pinion shaft			*	1
6	Gear			*	1
7	Output shaft		Ø 50x100 mm	06432638	1
7	Output shaft	stainless; ASEPTICplus	Ø 50x100 mm	00452041	1
7	Output Shaft (inch)		Ø 2,000x3,94 in.	06433111	1
7	Output shaft 2nd shaft end		Ø 50x100 mm	06433855	1
7	Output shaft 2nd shaft end (inch)		Ø 2,000x3,94 in.	06433731	1
8	Key		DIN6885-1 A14x9x80 +C	00100382	1
8	Key	stainless; ASEPTICplus	DIN6885-1 A14x9x80 Niro	13228234	1
8	Key (inch)		W4190 B1/2x1/2x2-5/8 +C	08069263	1
9	Oil seal		W BASF60x110x12/7-NBR	00177652	1
9	Oil seal	optional oil seal in FKM; ATEX model according to category II2G, II2D, II3G, II3D; ASEPTICplus	W BASF60x110x12/7-FKM	00178055	1
10	Oil seal	Double sealing as an option; ATEX model according to category II2G, II2D, II3G, II3D; ASEPTICplus	W B1SF60x104x10/14,5-FKM	00173657	1
11	Tapered roller bearing		30212	00139378	1
12	Retaining ring		DIN472 110x4-FS	00103284	1
17	Spacer tube		Ø70xØ80x18,75 mm	06432654	1
19	Key		DIN6885-1 B16x10x45 +C	00134791	1
20	Breather valve		W4087 M12x1,5-CuZn-HEI	00130311	1
20	Breather valve	stainless; ASEPTICplus	W4087 M12x1,5-Niro-HEI	00136247	1
22	Gear Housing			06430198	1
25	Tapered roller bearing		30212	00139378	1
29	Sealing compound			09102558	X)
30	Tapered roller bearing		30306	0012477X	1
31	Key		DIN6885-1 AB10x8x25 55HRC	00135445	1
37	Tapered roller bearing		30306	0012477X	1
39	Retaining ring		DIN472 72x2,5-FS	00103225	1
42	Tapered roller bearing		32306	00139262	1
43	Key		DIN6885-1 B8x7x25 55HRC	00100552	1
45	Tapered roller bearing		32206	00124737	1
59	Screw plug		W4085 M12x1,5-St-ADC3K	00114308	9
80	Key		DIN6885-1 A14x9x80 +C	00100382	1
80	Key (inch)		W4190 B1/2x1/2x2-5/8 +C	08069263	1
83	Shield ring		W4587 30212-AV	00137200	1
84	Shield ring		W4587 30212-AV	00137200	1
88	Retaining ring		DIN472 110x4-FS	00103284	1
89	Closing cap		W4300 1-110x12	0011166X	1
100	Gearcase cover			06433375	1
101	Hex head screw		ISO4017 M8x20-8.8-A2F	00110256	8
102	Gasket			06435068	1
115	Retaining ring		DIN471 24x1,2-FS	00102733	1
119	Spacer tube		Ø30,6xØ35x20 mm	06433448	1
131	Closing cap		W4300 1-72x9	00106925	1
132	Retaining ring		DIN472 72x2,5-FS	00103225	1
133	Supporting disc		DIN988 S56x72x3-FS	0010356X	1

\* Gearing parts have embossed part numbers. These must always be quoted!

X) if required

Mount-on gear units have motors, variable speed gear units or special input shaft assemblies mounted on the drive end. For parts see appropriate parts list.

When ordering spare parts always quote nameplate data with serial number and designation with part number!

Copyright reserved! All rights reserved according to DIN ISO 16016.

SEW-EURODRIVE GmbH & Co KG Postfach 3023, D-76642 Bruchsal Tel. (07251) 75-0. Fax (07251) 75-1970. <http://www.sew.de>

# Parts List

# 33 257 10 95



Helical-bevel gear unit  
K77

EN Page 3 / 3  
EG 12.11.2012

No.	Description	Additional specifications	SEW standard label	Part No.	Qty.
135	Shield ring	only for mounting position M5A, MXA or M5B, MXB with reverse direction of rotation	W4587 30306-AV	00136808	1
137	Supporting disc		DIN988 S56x72x3-FS	0010356X	1
138	Shield ring	only for mounting position M6B, MXB or M6A, MXA with reverse direction of rotation	W4587 30306-AV	00136808	1
161	Closing cap		W4300 1-72x9	00106925	1
163	Supporting disc		W4140 S24x36x2-FS	00124001	1
183	Oil seal	2nd shaft end	W BASF60x110x12/7-NBR	00177652	1
183	Oil seal	optional oil seal in FKM; ATEX model according to category II2G, II2D, II3G, II3D; ASEPTICplus; 2nd shaft end	W BASF60x110x12/7-FKM	00178055	1
184	Oil seal	Double sealing as an option; ATEX model according to category II2G, II2D, II3G, II3D; ASEPTICplus; 2nd shaft end	W B1SF60x104x10/14,5-FKM	00173657	1
506	Shim		DIN988 56x72x0,1-St	00103772	X)
507	Shim		DIN988 56x72x0,3-St	00104019	X)
508	Shim		DIN988 56x72x0,5-St	00104256	X)
521	Shim		DIN988 90x110x0,1-St	00103829	X)
522	Shim		DIN988 90x110x0,3-St	0010406X	X)
523	Shim		DIN988 90x110x0,5-St	00104221	X)
530	Shim		W4140 24x36x0,1-St	00123706	X)
531	Shim		W4140 24x36x0,3-St	00123714	X)
532	Shim		W4140 24x36x0,5-St	00123722	X)
533	Shim		DIN988 30x42x0,1-St	00103853	X)
534	Shim		DIN988 30x42x0,3-St	00104094	X)
535	Shim		DIN988 30x42x0,5-St	00123455	X)
536	Shim		DIN988 30x42x0,1-St	00103853	X)
537	Shim		DIN988 30x42x0,3-St	00104094	X)
538	Shim		DIN988 30x42x0,5-St	00123455	X)
542	Shim		DIN988 56x72x0,1-St	00103772	X)
543	Shim		DIN988 56x72x0,3-St	00104019	X)
544	Shim		DIN988 56x72x0,5-St	00104256	X)

X) if required

Mount-on gear units have motors, variable speed gear units or special input shaft assemblies mounted on the drive end. For parts see appropriate parts list.

When ordering spare parts always quote nameplate data with serial number and designation with part number!

Copyright reserved! All rights reserved according to DIN ISO 16016.

SEW-EURODRIVE GmbH & Co KG Postfach 3023, D-76642 Bruchsal Tel. (07251) 75-0. Fax (07251) 75-1970. <http://www.sew.de>