

Parts List

38 269 14 95

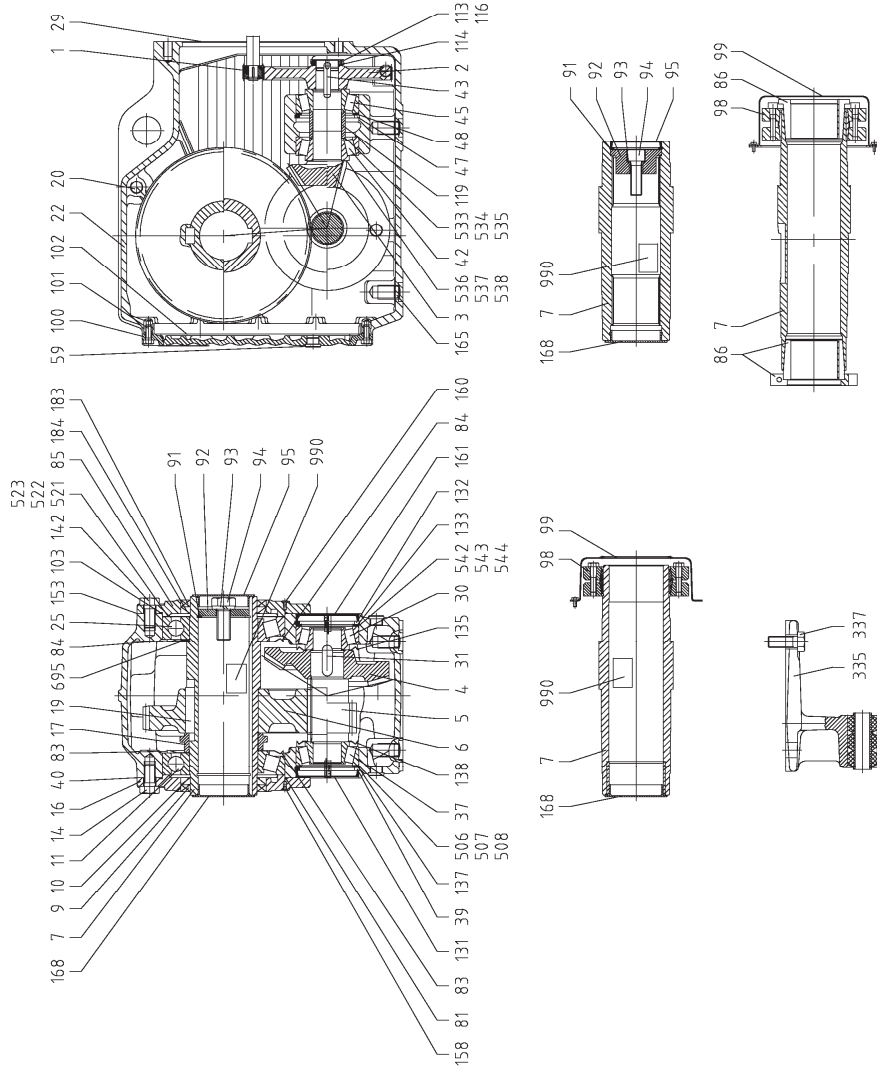


Helical-bevel gear unit

KA107, KH107, KV107, KT107, KA107B, KH107B, KV107B

EN Page 1 / 4

EG 12.03.2014



When ordering spare parts always quote nameplate data with serial number and designation with part number!
 Mount-on gear units have motors, variable speed gear units or special input shaft assemblies mounted on the drive end. For parts see appropriate parts list.

Copyright reserved! All rights reserved according to DIN ISO 16016.

SEW-EURODRIVE GmbH & Co KG Postfach 3023, D-76642 Bruchsal Tel. (07251) 75-0. Fax (07251) 75-1970. <http://www.sew.de>

Parts List

38 269 14 95



Helical-bevel gear unit

KA107, KH107, KV107, KT107, KA107B, KH107B, KV107B

EN Page 2 / 4

EG 12.03.2014

No.	Description	Additional specifications	SEW standard label	Part No.	Qty.
1	Pinion			*	1
2	Gear			*	1
3	Pinion shaft			*	1
4	Gear			*	1
5	Pinion shaft			*	1
6	Gear			*	1
7	Hollow Shaft	KA107; KA107B	Ø 90 mm	0643262X	1
7	Hollow Shaft (inch)	KA107; KA107B	Ø 3,625 in.	06432840	1
7	Hollow shaft complete	KH107; KH107B	Ø 95 mm	06431798	1
7	Hollow shaft complete	KH107; KH107B; stainless	Ø 95 mm	00426679	1
7	Hollow shaft complete	KH107; KH107B	Ø 95/96 mm	06436978	1
7	Splined hollow shaft	KV107; KV107B	85x3x30x27	06434029	1
7	Hollow Shaft	KT107	NG95	10678794	1
7	Hollow Shaft	KT107	NG95 AB	10678808	1
7	Hollow Shaft	KT107; stainless	NG95	10679162	1
7	Hollow Shaft	KT107; stainless	NG95 AB	10679170	1
9	Oil seal		W AS118x150x12-NBR	00115339	1
9	Oil seal	optional oil seal in FKM; ATEX model according to category II2G, II2D, II3G, II3D	W AS118x150x12-FKM	00176095	1
10	Oil seal	Double sealing as an option	W A118x150x12-NBR	0011555X	1
10	Oil seal	optional oil seal in FKM; Double sealing as an option; ATEX model according to category II2G, II2D, II3G, II3D	W A118x150x12-FKM	00175307	1
11	Deep groove ball bearing		6224	00117277	1
11	Tapered roller bearing	Reinforced bearings; KH107, KH107B in reduced backlash design	30224	00112666	1
14	Hex head screw		ISO4017 M20x40-8.8-A2F	00122718	4
16	Oil Seal Flange			06431887	1
17	Spacer tube		Ø121,6xØ138x34 mm	06437001	1
17	Spacer tube	Reinforced bearings; KH107, KH107B in reduced backlash design	Ø121,6xØ138x30,5 mm	06433367	1
19	Key		DIN6885-1 B28x16x80 55HRC	00116084	1
20	Breather valve		W4087 M22x1,5-CuZn-HEI	0013032X	1
22	Gear Housing	KA107; KH107; KV107; KT107		0643083X	1
22	Gear Housing	KA107B; KH107B; KV107B		06430813	1
25	Deep groove ball bearing		6224	00117277	1
25	Tapered roller bearing	Reinforced bearings; KH107, KH107B in reduced backlash design	30224	00112666	1
29	Sealing compound			09102558	X)
30	Tapered roller bearing		32310	0012124X	1
31	Key		DIN6885-1 AB18x11x45 55HRC	00135496	1
37	Tapered roller bearing		32310	0012124X	1
39	Retaining ring		W4161 110x5-FS	00130184	1
40	Sealing compound			09102558	X)
42	Tapered roller bearing		32310	0012124X	1
43	Key		DIN6885-1 B12x8x50 55HRC	00135100	1
45	Tapered roller bearing		32310	0012124X	1
47	Retaining ring		W4161 110x5-FS	00130184	1
48	Supporting disc		DIN988 S90x110x3,5-FS	00103594	1
59	Screw plug		W4085 B-M22x1,5-St-	00114316	7
81	O-ring		W4283 210x3-NBR70	00176575	1
83	Shield ring		W4585 6224-AV	00118036	1

* Gearing parts have embossed part numbers. These must always be quoted!

X) if required

When ordering spare parts always quote nameplate data with serial number and designation with part number!

Mount-on gear units have motors, variable speed gear units or special input shaft assemblies mounted on the drive end. For parts see appropriate parts list.

Copyright reserved! All rights reserved according to DIN ISO 16016.

SEW-EURODRIVE GmbH & Co KG Postfach 3023, D-76642 Bruchsal Tel. (07251) 75-0. Fax (07251) 75-1970. <http://www.sew.de>

Parts List

38 269 14 95



Helical-bevel gear unit

KA107, KH107, KV107, KT107, KA107B, KH107B, KV107B

EN Page 3 / 4

EG 12.03.2014

No.	Description	Additional specifications	SEW standard label	Part No.	Qty.
83	Shield ring	Reinforced bearings; KH107, KH107B in reduced backlash design	W4587 30224-AV	00111228	1
84	Shield ring		W4585 6224-AV	00118036	1
84	Shield ring	Reinforced bearings; KH107, KH107B in reduced backlash design	W4587 30224-AV	00111228	1
85	Oil Seal Flange			06431887	1
86	Clamp set complete	KT107	Ø 80 mm	10680462	1
86	Clamp set complete	KT107	Ø 85 mm	10680470	1
86	Clamp set complete	KT107	Ø 90 mm	10680489	1
86	Clamp set complete	KT107	Ø 95 mm	10680497	1
86	Clamp set complete	KT107; stainless	Ø 80 mm	10679189	1
86	Clamp set complete	KT107; stainless	Ø 85 mm	10679197	1
86	Clamp set complete	KT107; stainless	Ø 90 mm	10679200	1
86	Clamp set complete	KT107; stainless	Ø 95 mm	10679219	1
86	Clamp set complete	KT107	Ø 3,250 in.	10680500	1
86	Clamp set complete	KT107	Ø 3,4375 in.	10680519	1
86	Clamp set complete	KT107	Ø 3,625 in.	10680527	1
86	Clamp set complete	KT107	Ø 3,750 in.	10680535	1
86	Clamp set complete	KT107; stainless	Ø 3,250 in.	10679227	1
86	Clamp set complete	KT107; stainless	Ø 3,4375 in.	10679235	1
86	Clamp set complete	KT107; stainless	Ø 3,625 in.	10679243	1
86	Clamp set complete	KT107; stainless	Ø 3,750 in.	10679251	1
91	Retaining ring	KA107; KV107; KA107B; KV107B	DIN472 90x3-FS	00103268	1
91	Retaining ring	KA107; KA107B; For inch hollow shaft	DIN472 92x3-FS	08069352	1
92	Disc	KA107; KA107B	W4126 26x89x12-St	01034111	1
92	Disc	KA107; KA107B	W4126 13/16x3,6x1/2-St	08069514	1
92	Disc	KV107; KV107B		0117407X	1
93	Lock washer	KA107; KA107B	DIN128 A24-FS-Q3F	00109975	1
93	Lock washer	KA107; KA107B; For inch hollow shaft	DIN128 A20-FS-Q3F	00109967	1
93	Supporting disc	KV107; KV107B	DIN988 S22x32x2-FS	00103446	1
94	Hex head screw	KA107; KA107B	ISO4017 M24x60-8.8-A2F	00110205	1
94	Hex head screw	KA107; KA107B	ASME-B18 3/4-10x2-GR5-A2F	08069581	1
94	Machine screw	KV107; KV107B	ISO4762 M20x60-8.8-A2F	00123315	1
95	Closing plug	KA107; KA107B	W4299 1-91-PE-LD-BK	01146602	1
95	Closing plug	KA107; KA107B	W4299 7-91,5-PE-LD-BK	00127779	1
95	Closing cap	KV107; KV107B	W4300 1-90x12	00111627	1
98	Shrink Disc	KH107; KH107B	W4941 DK-115x185	01226495	1
98	Shrink Disc	KT107	W4941 DK-115x185-TL	10679278	1
98	Shrink Disc	KH107; KH107B; KT107; stainless	W4941 DK-115x185-Niro	19067704	1
99	Hood cover complete	KH107; KH107B		0643519X	1
99	Hood cover complete	KH107; KH107B; ATEX model according to category II2G, II2D, II3G, II3D; stainless		06421814	1
99	Hood cover complete	KT107; stainless		10679111	1
100	Gearcase cover			06432484	1
101	Hex head screw		ISO4017 M10x25-8.8-A2F	00101168	10
102	Sealing compound			09102558	X)
103	O-ring		W4283 210x3-NBR70	00176575	1
113	Grooved nut		DIN981 KM8-St	0012172X	1
114	Multi-tang washer		DIN5406 MB8-St	00121592	1
116	Threadlocker			09102426	1
119	Spacer tube		Ø51xØ63x46 mm	06433472	1
131	Closing cap		W4300 1-110x12	0011166X	1
132	Retaining ring		W4161 110x5-FS	00130184	1
133	Supporting disc		DIN988 S90x110x3,5-FS	00103594	1

X) if required

When ordering spare parts always quote nameplate data with serial number and designation with part number!

Mount-on gear units have motors, variable speed gear units or special input shaft assemblies mounted on the drive end. For parts see appropriate parts list.

Copyright reserved! All rights reserved according to DIN ISO 16016.

SEW-EURODRIVE GmbH & Co KG Postfach 3023, D-76642 Bruchsal Tel. (07251) 75-0. Fax (07251) 75-1970. <http://www.sew.de>

Parts List

38 269 14 95



Helical-bevel gear unit

KA107, KH107, KV107, KT107, KA107B, KH107B, KV107B

EN Page 4 / 4

EG 12.03.2014

No.	Description	Additional specifications	SEW standard label	Part No.	Qty.
135	Shield ring	Only for mounting positions M5A, MXA or M5B, MXB with reverse direction of rotation or M5 with multi-stage gear unit	W4587 32310-AV	00136476	1
137	Supporting disc		DIN988 S90x110x3,5-FS	00103594	1
138	Shield ring	Only for mounting positions M6B, MXB or M6A, MXA with reverse direction of rotation or M6 with multi-stage gear unit	W4587 32310-AV	00136476	1
142	Hex head screw		ISO4017 M20x40-8.8-A2F	00122718	4
153	Sealing compound			09102558	X)
158	Closing plug		W4299 4-5,4-PE-LD-NA	00113824	4
160	Closing plug		W4299 4-5,4-PE-LD-NA	00113824	4
161	Closing cap		W4300 1-110x12	0011166X	1
165	Closing plug	KA107; KH107; KV107; KT107	W4299 1-21,7-PE-LD-NA	0011376X	4
168	Closing plug	KA107; KH107B	W4299 1-91-PE-LD-BK	01146602	1
168	Closing plug	KA107; KA107B; For inch hollow shaft	W4299 7-91,5-PE-LD-BK	00127779	1
168	Closing plug	KH107; KH107B	W4299 1-96-PE-LD-BK	00126845	1
168	Closing cap	KV107; KV107B	W4300 1-90x12	00111627	1
183	Oil seal		W AS118x150x12-NBR	00115339	1
183	Oil seal	optional oil seal in FKM; ATEX model according to category II2G, II2D, II3G, II3D	W AS118x150x12-FKM	00176095	1
184	Oil seal	Double sealing as an option	W A118x150x12-NBR	0011555X	1
184	Oil seal	optional oil seal in FKM; Double sealing as an option; ATEX model according to category II2G, II2D, II3G, II3D	W A118x150x12-FKM	00175307	1
335	Torque arm complete	KA107; KH107; KV107; KT107		06434436	1
337	Fastening part	optional for torque arm		18760678	1
506	Shim		DIN988 90x110x0,1-St	00103829	X)
507	Shim		DIN988 90x110x0,3-St	0010406X	X)
508	Shim		DIN988 90x110x0,5-St	00104221	X)
521	Shim		W4140 185x215x0,1-St	00113360	X)
522	Shim		W4140 185x215x0,3-St	00113492	X)
523	Shim		W4140 185x215x0,5-St	00113573	X)
533	Shim		DIN988 50x62x0,1-St	00103764	X)
534	Shim		DIN988 50x62x0,3-St	00104000	X)
535	Shim		DIN988 50x62x0,5-St	00104183	X)
536	Shim		DIN988 50x62x0,1-St	00103764	X)
537	Shim		DIN988 50x62x0,3-St	00104000	X)
538	Shim		DIN988 50x62x0,5-St	00104183	X)
542	Shim		DIN988 90x110x0,1-St	00103829	X)
543	Shim		DIN988 90x110x0,3-St	0010406X	X)
544	Shim		DIN988 90x110x0,5-St	00104221	X)
695	Supporting disc	not necessary with reinforced bearings	DIN988 S120x150x3,5-FS	00120324	1
990	Contact corrosion inhibitor	KA107; KV107; KA107B; KV107B		09107819	2
990	Contact corrosion inhibitor	KH107; KT107; KH107B		09107819	1

X) if required

When ordering spare parts always quote nameplate data with serial number and designation with part number!

Mount-on gear units have motors, variable speed gear units or special input shaft assemblies mounted on the drive end. For parts see appropriate parts list.

Copyright reserved! All rights reserved according to DIN ISO 16016.

SEW-EURODRIVE GmbH & Co KG Postfach 3023, D-76642 Bruchsal Tel. (07251) 75-0. Fax (07251) 75-1970. <http://www.sew.de>