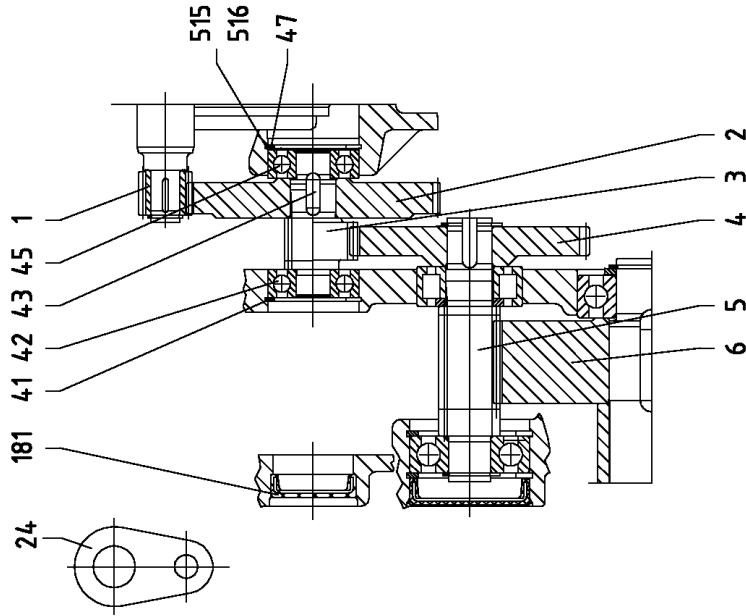


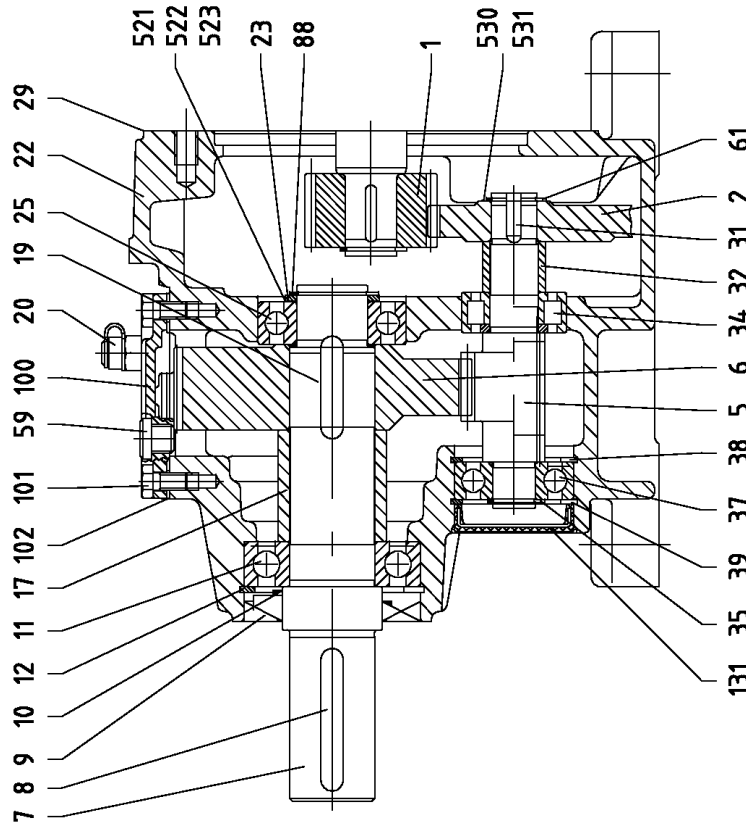
**Parts List**  
**Helical gear unit**  
**R47**

**01 265 07 97**

3-stage



2-stage



When ordering spare parts always quote nameplate data with serial number and designation with part number!  
 Mount-on gear units have motors, variable speed gear units or special input shaft assemblies mounted on the drive end. For parts see appropriate parts list.

Copyright reserved! All rights reserved according to DIN ISO 16016.

SEW-EURODRIVE GmbH & Co KG Postfach 3023, D-76642 Bruchsal Tel. (07251) 75-0. Fax (07251) 75-1970. <http://www.sew.de>

# Parts List

01 265 07 97



Helical gear unit  
R47

EN Page 2 / 3  
EG 30.04.2009

No.	Description	Additional specifications	SEW standard label	Part No.	Qty.
1	Pinion			*	1
2	Gear			*	1
3	Pinion shaft			*	1
4	Gear			*	1
5	Pinion shaft			*	1
6	Gear			*	1
7	Output shaft		Ø 30x60 mm	06413277	1
7	Output shaft	stainless; ASEPTICplus	Ø 30x60 mm	00452556	1
7	Output Shaft (inch)		Ø 1,250x2,36 in.	06413285	1
8	Key		DIN6885 A8x7x50-C45K	00100234	1
8	Key	stainless; ASEPTICplus	DIN6885 A8x7x50-Niro	13228196	1
8	Key (inch)		W4190 1/4x1/4x1-11/16 IN.	08069220	1
9	Oil seal		W4560 BA-SF35x62x8/6-NBR	00177598	1
9	Oil seal	optional oil seal in Viton optional oil seal in FKM (Viton); ATEX model according to category II2G, II2D, II3G, II3D; ASEPTICplus	W4561 BA-SF35x62x8/6-FKM	00176125	1
10	Oil seal	Double sealing; ATEX model according to category II2G, II2D, II3G, II3D; ASEPTICplus	W4562 B1-SF 35x57x6/8-FKM	00174335	1
11	Deep groove ball bearing		DIN625 6206-Z-J	00104965	1
12	Circlip		DIN472 62x2	00103217	1
17	Spacer tube		Ø31xØ38x41,5 mm	06413293	1
19	Key		DIN6885 B8x7x25-55HRC	00100552	1
20	Breather valve		W4087 M10x1-MS	00130303	1
20	Breather valve	stainless; ASEPTICplus	W4087 M10x1-NIRO	00136239	1
22	Gear Housing			06413242	1
23	Supporting disc		DIN988 S25x35x2-FST	00103454	1
24	Eyebolt			01644122	1
25	Deep groove ball bearing		DIN625 6205-J	00104884	1
29	Sealing compound			09102558	X)
31	Key		DIN6885 B5x5x12-55HRC	00100501	1
32	Spacer tube		Ø17xØ22x18 mm	06413307	1
34	Cylindrical roller bearing		F55418501.01 NUPT INA	13241265	1
35	Circlip		DIN471 15x1	00102679	1
37	Deep groove ball bearing		DIN625 6302-J	00105066	1
37	Deep groove ball bearing	Only for mounting positions M2	DIN625 6302-Z-J	00105198	1
38	Circlip		DIN472 42x1,75	00103179	1
39	Circlip		DIN472 42x1,75	00103179	1
41	Circlip		DIN472 32x1,2	00103136	1
42	Deep groove ball bearing		DIN625 6201	00104841	1
43	Key		DIN6885 B5x5x10-55HRC	00114839	1
45	Deep groove ball bearing		DIN625 6201	00104841	1
47	Circlip		DIN472 32x1,2	00103136	1
59	Screw plug		W4085 M10x1-ST-A2L	0011426X	5
61	Circlip		DIN471 16x1	00102687	1
88	Circlip		DIN471 25x1,2	00102741	1
100	Gearcase cover			06435092	1
101	Hex head screw		ISO4017 M6x12-8.8	00110221	6
102	Gasket			06435106	1
131	Closing cap		W4300 42x7	00111791	1
181	Closing cap		W4300 35x8	00111643	1
515	Shim		DIN988 22x32x0,1-ST	0010387X	X)

\* Gearing parts have embossed part numbers. These must always be quoted!

X) if required

When ordering spare parts always quote nameplate data with serial number and designation with part number!

Mount-on gear units have motors, variable speed gear units or special input shaft assemblies mounted on the drive end. For parts see appropriate parts list.

Copyright reserved! All rights reserved according to DIN ISO 16016.

SEW-EURODRIVE GmbH & Co KG Postfach 3023, D-76642 Bruchsal Tel. (07251) 75-0. Fax (07251) 75-1970. <http://www.sew.de>

# Parts List

01 265 07 97



Helical gear unit  
R47

EN Page 3 / 3  
EG 30.04.2009

No.	Description	Additional specifications	SEW standard label	Part No.	Qty.
516	Shim		DIN988 22x32x0,3-ST	00104116	X)
521	Shim		DIN988 25x35x0,1-ST	00103691	X)
522	Shim		DIN988 25x35x0,3-ST	00103934	X)
523	Shim		DIN988 25x35x0,5-ST	00104167	X)
530	Shim		DIN988 16x22x0,1-ST	00123439	X)
531	Shim		DIN988 16x22x0,3-ST	00123447	X)

X) if required

When ordering spare parts always quote nameplate data with serial number and designation with part number!

Mount-on gear units have motors, variable speed gear units or special input shaft assemblies mounted on the drive end. For parts see appropriate parts list.

Copyright reserved! All rights reserved according to DIN ISO 16016.

SEW-EURODRIVE GmbH & Co KG Postfach 3023, D-76642 Bruchsal Tel. (07251) 75-0. Fax (07251) 75-1970. <http://www.sew.de>