

Parts List

38 263 10 95

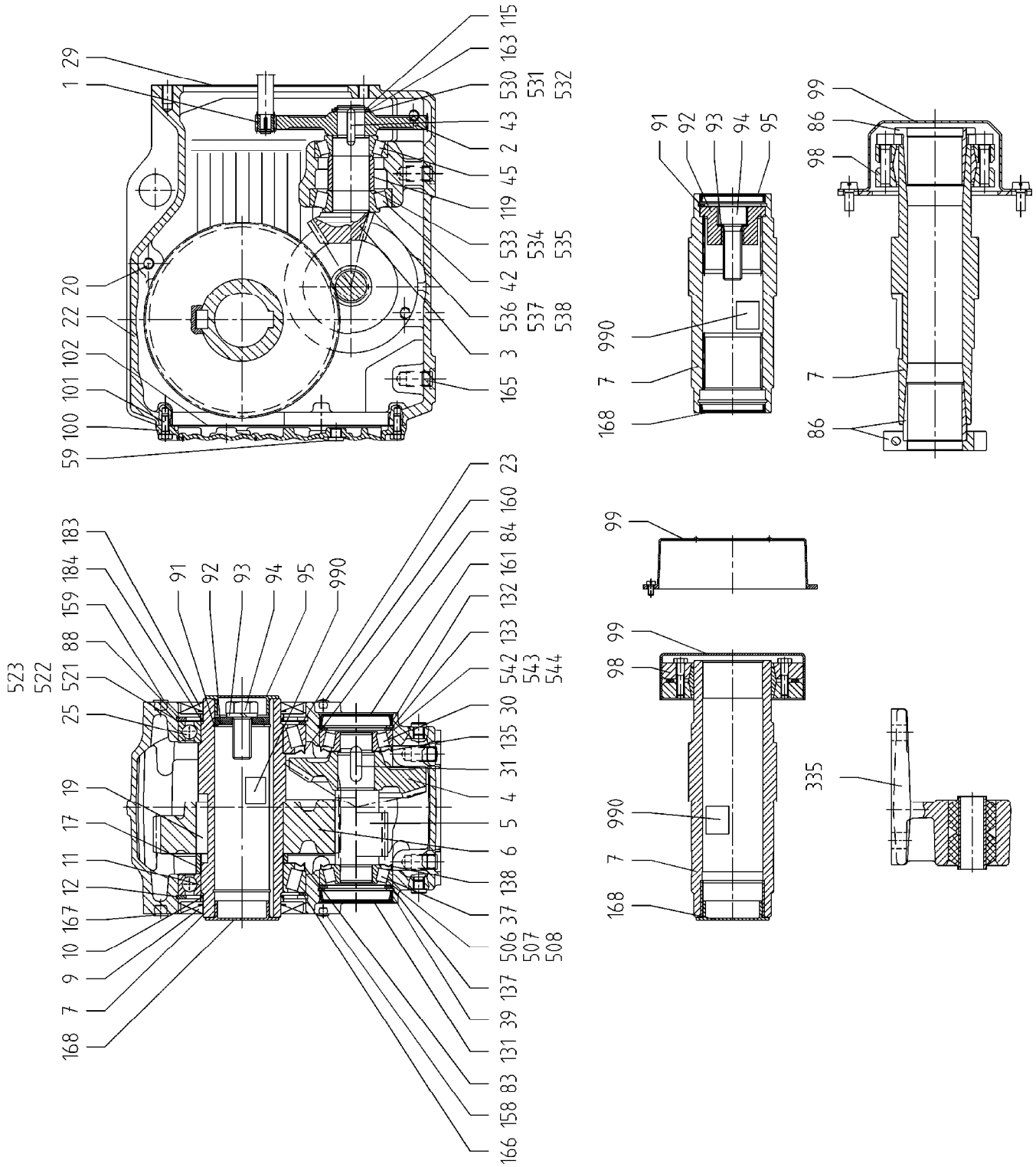


Helical-bevel gear unit

KA87, KH87, KV87, KT87, KA87B, KH87B, KV87B

EN Page 1 / 4

EG 20.06.2008



When ordering spare parts always quote nameplate data with serial number and designation with part number!
 Mount-on gear units have motors, variable speed gear units or special input shaft assemblies mounted on the drive end. For parts see appropriate parts list.

Copyright reserved! All rights reserved according to DIN ISO 16016.

SEW-EURODRIVE GmbH & Co KG Postfach 3023, D-76642 Bruchsal Tel. (07251) 75-0. Fax (07251) 75-1970. <http://www.sew.de>

Parts List

38 263 10 95



Helical-bevel gear unit

KA87, KH87, KV87, KT87, KA87B, KH87B, KV87B

EN Page 2 / 4

EG 20.06.2008

No.	Description	Additional specifications	SEW standard label	Part No.	Qty.
1	Pinion			*	1
2	Gear			*	1
3	Pinion shaft			*	1
4	Gear			*	1
5	Pinion shaft			*	1
6	Gear			*	1
7	Hollow Shaft	KA87; KA87B	Ø 60 mm	06432611	1
7	Hollow Shaft	KA87; KA87B; stainless; ASEPTICplus	Ø 60 mm	00453196	1
7	Hollow Shaft	KA87; KA87B; Reinforced bearings	Ø 60 mm	00436615	1
7	Hollow Shaft (inch)	KA87; KA87B	Ø 2,375 in.	06432824	1
7	Hollow shaft complete	KH87; KH87B	Ø 65 mm	06431771	1
7	Hollow shaft complete	KH87; KH87B; Reinforced bearings; reduced backlash version	Ø 65 mm	00432474	1
7	Hollow shaft complete	KH87; KH87B	Ø 65/66 mm	00424528	1
7	Splined hollow shaft	KV87; KV87B	65x2x30x31	06434002	1
7	Hollow shaft for shrink disc	KT87	NG65	06437222	1
7	Hollow shaft for shrink disc	KT87	NG65 AB	06438423	1
7	Hollow shaft for shrink disc	KT87; stainless; ASEPTICplus	NG65	06438547	1
7	Hollow shaft for shrink disc	KT87; stainless; ASEPTICplus	NG65 AB	06438660	1
9	Oil seal		W4560 BA-SF85x140x12/10-NBR	00177695	1
9	Oil seal	optional oil seal in Viton optional oil seal in FKM (Viton); ATEX model according to category II2G, II2D, II3G, II3D; ASEPTICplus	W4561 BA-SF85x140x12/10-FKM	00178098	1
10	Oil seal	Double sealing; ATEX model according to category II2G, II2D, II3G, II3D; ASEPTICplus	W4562 B1-SF85x134x10/16,5-FKM	0017369X	1
11	Deep groove ball bearing		DIN625 6018-Z	00117307	1
11	Tapered roller bearing	Reinforced bearings; KH87, KH87B in reduced backlash design	DIN720 32018X	00139300	1
12	Circlip		DIN472 140x4	00103314	1
17	Spacer tube		Ø91xØ100x22 mm	06430120	1
17	Spacer tube	Reinforced bearings; KH87, KH87B in reduced backlash design	Ø91xØ100x10 mm	00428086	1
19	Key		DIN6885 B20x12x56-55HRC	00134929	1
20	Breather valve		W4087 M12x1,5-CuZn	00130311	1
20	Breather valve	stainless; ASEPTICplus	W4087 M12x1,5-NIRO	00136247	1
22	Gear Housing	KA87; KH87; KV87; KT87		06430252	1
22	Gear Housing	KA87B; KH87B; KV87B		06434223	1
23	Supporting ring	Reinforced bearings; KH87, KH87B in reduced backlash design	W4140 S125x140x3,5-FSt	00179191	1
25	Deep groove ball bearing		DIN625 6018-Z	00117307	1
25	Tapered roller bearing	Reinforced bearings; KH87, KH87B in reduced backlash design	DIN720 32018X	00139300	1
29	Sealing compound			09102558	X)
30	Tapered roller bearing		DIN720 303 07	00124680	1
31	Key		DIN6885 AB12x8x32-55HRC	00135461	1
37	Tapered roller bearing		DIN720 303 07	00124680	1
39	Circlip		DIN472 80x2,5	00103241	1
42	Tapered roller bearing		DIN720 303 08	00106046	1
43	Key		DIN6885 B8x7x32-55HRC	00100560	1
45	Tapered roller bearing		DIN720 322 08	00139254	1
59	Screw plug		W4085 M12x1,5-ST-A2L	00114308	7

* Gearing parts have embossed part numbers. These must always be quoted!

X) if required

When ordering spare parts always quote nameplate data with serial number and designation with part number!

Mount-on gear units have motors, variable speed gear units or special input shaft assemblies mounted on the drive end. For parts see appropriate parts list.

Copyright reserved! All rights reserved according to DIN ISO 16016.

SEW-EURODRIVE GmbH & Co KG Postfach 3023, D-76642 Bruchsal Tel. (07251) 75-0. Fax (07251) 75-1970. <http://www.sew.de>

Parts List

38 263 10 95



Helical-bevel gear unit

KA87, KH87, KV87, KT87, KA87B, KH87B, KV87B

EN Page 3 / 4

EG 20.06.2008

No.	Description	Additional specifications	SEW standard label	Part No.	Qty.
83	Nilos ring	Reinforced bearings; KH87, KH87B in reduced backlash design	W4587 32018X-AV	00136840	1
84	Nilos ring	Reinforced bearings; KH87, KH87B in reduced backlash design	W4587 32018X-AV	00136840	1
86	Clamp set complete	KT87	Ø 65 mm	10678050	1
86	Clamp set complete	KT87; stainless; ASEPTICplus	Ø 65 mm	10678123	1
86	Clamp set complete	KT87	Ø 1,9375 in.	10678360	1
86	Clamp set complete	KT87	Ø 2,000 in.	10678379	1
86	Clamp set complete	KT87	Ø 2,375 in.	10678387	1
86	Clamp set complete	KT87	Ø 2,4375	10678395	1
86	Clamp set complete	KT87; stainless; ASEPTICplus	Ø 1,9375 in.	10678611	1
86	Clamp set complete	KT87; stainless; ASEPTICplus	Ø 2,000 in.	10678638	1
86	Clamp set complete	KT87; stainless; ASEPTICplus	Ø 2,375 in.	10678646	1
86	Clamp set complete	KT87; stainless; ASEPTICplus	Ø 2,4375 in.	10678654	1
88	Circlip		DIN472 140x4	00103314	1
91	Circlip	KA87; KA87B	DIN472 60x2	00103365	1
91	Circlip	KA87; KA87B; stainless; ASEPTICplus	DIN472 60x2-Niro	13228013	1
91	Circlip	KV87; KV87B	DIN472 72x2,5	00103225	1
92	Disc	KA87; KA87B	W4132 22x59,5x8	01033913	1
92	Disc	KA87; KA87B; stainless; ASEPTICplus	W4132 22x59,5x8-Niro	13228102	1
92	Disc	KV87; KV87B		01174061	1
93	Lock washer	KA87; KA87B	DIN128 A20-FST-PHR	00109967	1
93	Lock washer	KA87; KA87B; stainless; ASEPTICplus	DIN128 A20-NIRO	00159980	1
93	Supporting ring	KV87; KV87B	DIN988 S22x32x2-FST	00103446	1
94	Hex head screw	KA87; KA87B	ISO4017 M20x50-8.8	00101281	1
94	Hex head screw	KA87; KA87B; stainless; ASEPTICplus	ISO4017 M20x50xA2-70	00159972	1
94	Hex head screw	KA87; KA87B	ISO4017 3/4-10x2 IN.	08069581	1
94	Machine screw	KV87; KV87B	DIN912 M20x60-8.8	00123315	1
95	Closing plug	KA87; KA87B	W4299 60,8	01140973	1
95	Closing cap	KV87; KV87B	W4300 72x9	00106925	1
98	Shrink Disc	KH87; KH87B	W4941 85x155	01226339	1
98	Shrink Disc	KT87	W4941 85x155-TL	06439624	1
98	Shrink Disc	KT87; stainless; ASEPTICplus	W4941 85x155TL-Niro	06439691	1
99	Hood Cover	KH87; KH87B		01140981	1
99	Hood cover complete	KH87		06435173	1
99	Hood cover complete	KH87; KT87; ATEX model according to category II2G, II2D, II3G, II3D; stainless; ASEPTICplus		06435882	1
100	Gearcase cover			06433391	1
101	Hex head screw		ISO4017 M8x20-8.8	00110256	8
102	Gasket			06435076	1
115	Circlip		DIN471 30x1,5	00102776	1
119	Spacer tube		Ø41xØ50x37 mm	06433456	1
131	Closing cap		W4300 80x12	00106933	1
132	Circlip		DIN472 80x2,5	00103241	1
133	Supporting ring		DIN988 S63x80x3-FST	00103578	1
135	Nilos ring	Only for mounting positions M5A, M5B with reverse direction of rotation or M5 with multi-stage gear unit	W4587 30307 AV	00137235	1
137	Supporting ring		DIN988 S63x80x3-FST	00103578	1
138	Nilos ring	Only for mounting positions M6B, M6A with reverse direction of rotation or M6 with multi-stage gear unit	W4587 30307 AV	00137235	1
158	Closing plug	KA87; KH87; KV87; KT87	W4299 9,5	00113719	2
159	Closing plug	KA87; KH87; KV87; KT87	W4299 14,5	00113743	6
160	Closing plug	KA87; KH87; KV87; KT87	W4299 9,5	00113719	2
161	Closing cap		W4300 80x12	00106933	1
163	Supporting ring		DIN988 S30x42x2,5-FST	00103489	1

When ordering spare parts always quote nameplate data with serial number and designation with part number!

Mount-on gear units have motors, variable speed gear units or special input shaft assemblies mounted on the drive end. For parts see appropriate parts list.

Copyright reserved! All rights reserved according to DIN ISO 16016.

SEW-EURODRIVE GmbH & Co KG Postfach 3023, D-76642 Bruchsal Tel. (07251) 75-0. Fax (07251) 75-1970. <http://www.sew.de>

Parts List

38 263 10 95



Helical-bevel gear unit

KA87, KH87, KV87, KT87, KA87B, KH87B, KV87B

EN Page 4 / 4

EG 20.06.2008

No.	Description	Additional specifications	SEW standard label	Part No.	Qty.
165	Closing plug	KA87; KH87; KV87; KT87	W4299 14,5	00113743	4
166	Supporting ring	Reinforced bearings; KH87, KH87B in reduced backlash design	W4140 S125x140x3,5-FSt	00179191	1
167	Closing plug	KA87; KH87; KV87; KT87	W4299 14,5	00113743	6
168	Closing plug	KA87; KA87B	W4299 60,8	01140973	1
168	Closing plug	KH87; KH87B	W4299 65,5	00126683	1
168	Closing cap	KV87; KV87B	W4300 72x9	00106925	1
183	Oil seal		W4560 BA-SF85x140x12/10-NBR	00177695	1
183	Oil seal	optional oil seal in Viton optional oil seal in FKM (Viton); ATEX model according to category II2G, II2D, II3G, II3D; ASEPTICplus	W4561 BA-SF85x140x12/10-FKM	00178098	1
184	Oil seal	Double sealing; ATEX model according to category II2G, II2D, II3G, II3D; ASEPTICplus	W4562 B1-SF85x134x10/16,5-FKM	0017369X	1
335	Torque arm complete	KA87; KH87; KV87; KT87		06434371	1
506	Shim		DIN988 65x80x0,1-St	00123870	X)
507	Shim		W4140 65x80x0,25-St	13236296	X)
508	Shim		DIN988 65x80x0,5-St	00123897	X)
521	Shim		DIN988 110x140x0,1-ST	00113263	X)
521	Shim	Reinforced bearings; KH87, KH87B in reduced backlash design	W4140 125x140x0,1-St	00179132	X)
522	Shim		DIN988 110x140x0,3-ST	00113409	X)
522	Shim	Reinforced bearings; KH87, KH87B in reduced backlash design	W4140 125x140x0,3-St	00179140	X)
523	Shim		DIN988 110x140x0,5-ST	00113514	X)
523	Shim	Reinforced bearings; KH87, KH87B in reduced backlash design	W4140 125x140x0,5-St	00179159	X)
530	Shim		DIN988 30x42x0,1-ST	00103853	X)
531	Shim		DIN988 30x42x0,3-ST	00104094	X)
532	Shim		DIN988 30x42x0,5-ST	00123455	X)
533	Shim		DIN988 40x50x0,1-ST	00103748	X)
534	Shim		DIN988 40x50x0,3-ST	00103985	X)
535	Shim		DIN988 40x50x0,5-ST	00123463	X)
536	Shim		DIN988 40x50x0,1-ST	00103748	X)
537	Shim		DIN988 40x50x0,3-ST	00103985	X)
538	Shim		DIN988 40x50x0,5-ST	00123463	X)
542	Shim		DIN988 65x80x0,1-St	00123870	X)
543	Shim		W4140 65x80x0,25-St	13236296	X)
544	Shim		DIN988 65x80x0,5-St	00123897	X)
990	Contact corrosion inhibitor			09107819	1

X) if required

When ordering spare parts always quote nameplate data with serial number and designation with part number!

Mount-on gear units have motors, variable speed gear units or special input shaft assemblies mounted on the drive end. For parts see appropriate parts list.

Copyright reserved! All rights reserved according to DIN ISO 16016.

SEW-EURODRIVE GmbH & Co KG Postfach 3023. D-76642 Bruchsal Tel. (07251) 75-0. Fax (07251) 75-1970. <http://www.sew.de>