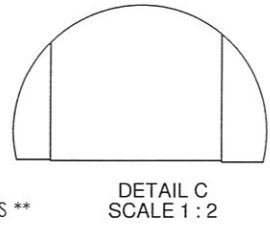
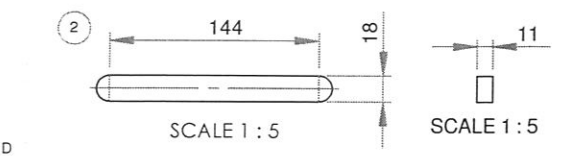
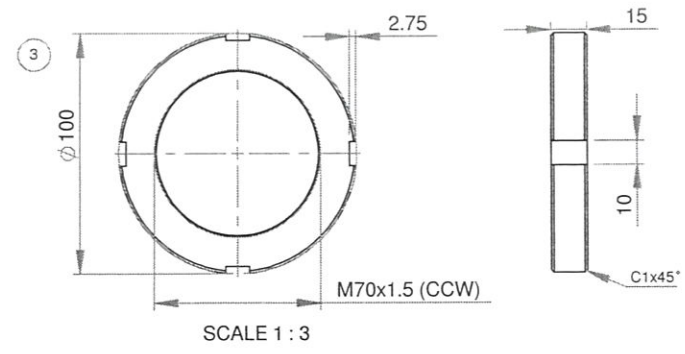
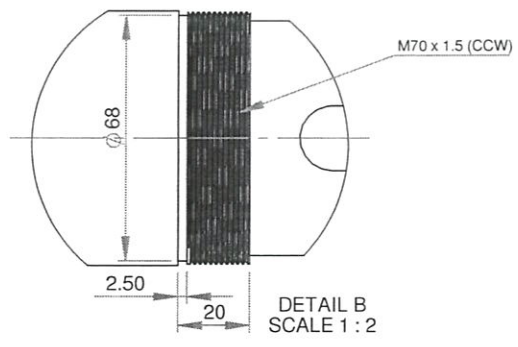
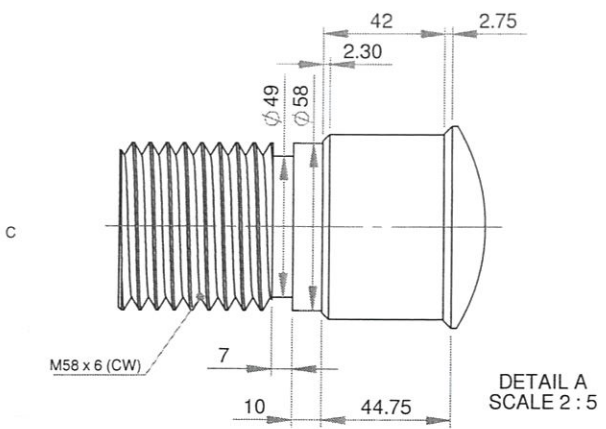


SCALE 1 : 3



\*\* INCOMING PART WILL BE CHECK. IT WILL RETURN IF NOT PASS \*\*

POLISHING	GRINDING	NORMAL MACHINING (SMOOTH SURFACE)	NORMAL MACHINING (ROUGH SURFACE)
1		2	3

3	LOCKING PLATE	1	SS400	-
2	KEY SHAFT	1	SS400	-
1	SHAFT PUMP	1	VCN-150	-
POS	DESCRIPTION	QTY	MATERIAL	REMARKS
FILE DIR: \\192.168.4.15\mechanical\Draft Nuryana\Proyek Pak Yessiko\Pump MST6-4\				
SCALE: 1:10			DIM: mm	
MECHANICAL ENGINEERING SECTION				
TITLE SLURRY PUMP MST 6/4				
<b>SHAFT PUMP</b>				
DRAWN ENDEN 11/7/2017				
DESIGN SIGIT				
CHECK YESSIKO				
APRV RULLY				
CANCEL DWG NO.				
REF DWG NO.				
PT SCG LIGHTWEIGHT CONCRETE INDONESIA			A4 2012-DWG-MPL-MS64-M-001-1	
			REV NO. PAGE	
			1 2	