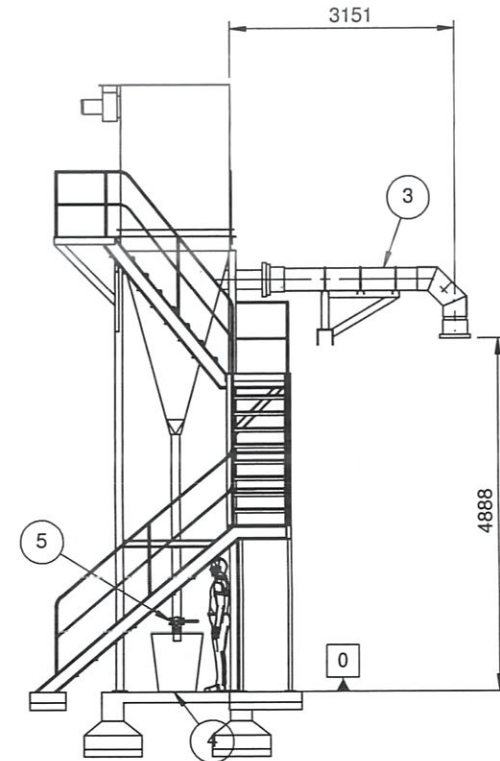
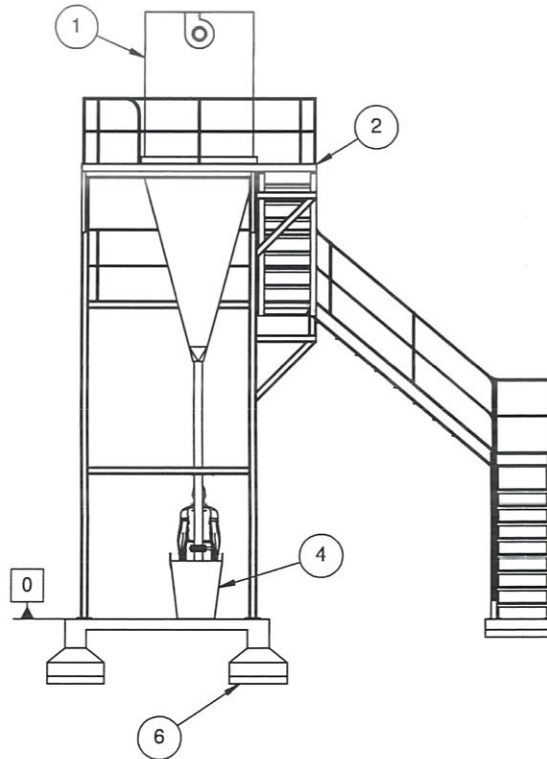


ISOMETRIC VIEW



6	MACHINE FOUNDATION	1	REINFORCED CONCRETE	SEE 2012-DWG-DSC-B-011-D
5	BUTTERFLY VALVE	2	CAST IRON	STANDARD PART
4	DUST BIN	1	-	SEE 2012-DWG-DSC-B-008
3	PIPING	1	-	SEE 2012-DWG-DSC-B-011-C
2	PLATFORM	1	-	SEE 2012-DWG-DSC-B-011-B
1	DUST COLLECTOR	1	-	SEE 2012-DWG-DSC-B-011-A
POS	DESCRIPTION	QTY	MATERIAL	REMARKS

FILE DIR: C:\Users\del-user\Documents\Yessiko\Crusher\crusher room revision\FINAL DRAWING\

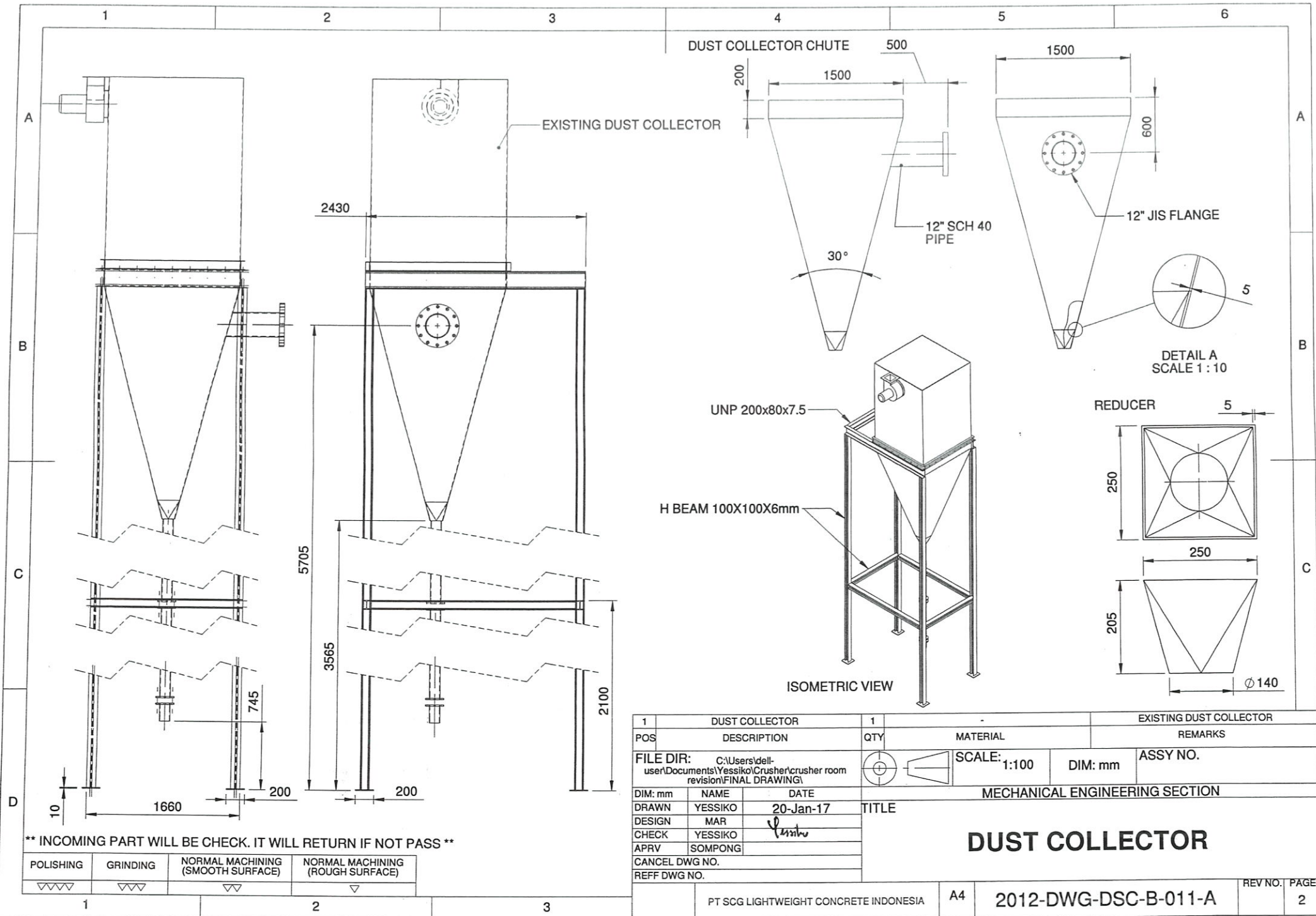
SCALE: 1:200 DIM: mm ASSY NO.

DIM: mm	NAME	DATE	TITLE
	DRAWN YESSIKO	26-Jan-17	MECHANICAL ENGINEERING SECTION
	DESIGN MAR		
	CHECK YESSIKO		
	APRV SOMPONG		
	CANCEL DWG NO.		
	REF DWG NO.		

DUST COLLECTOR DEVICE

** INCOMING PART WILL BE CHECK. IT WILL RETURN IF NOT PASS **

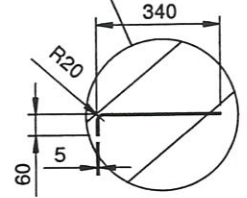
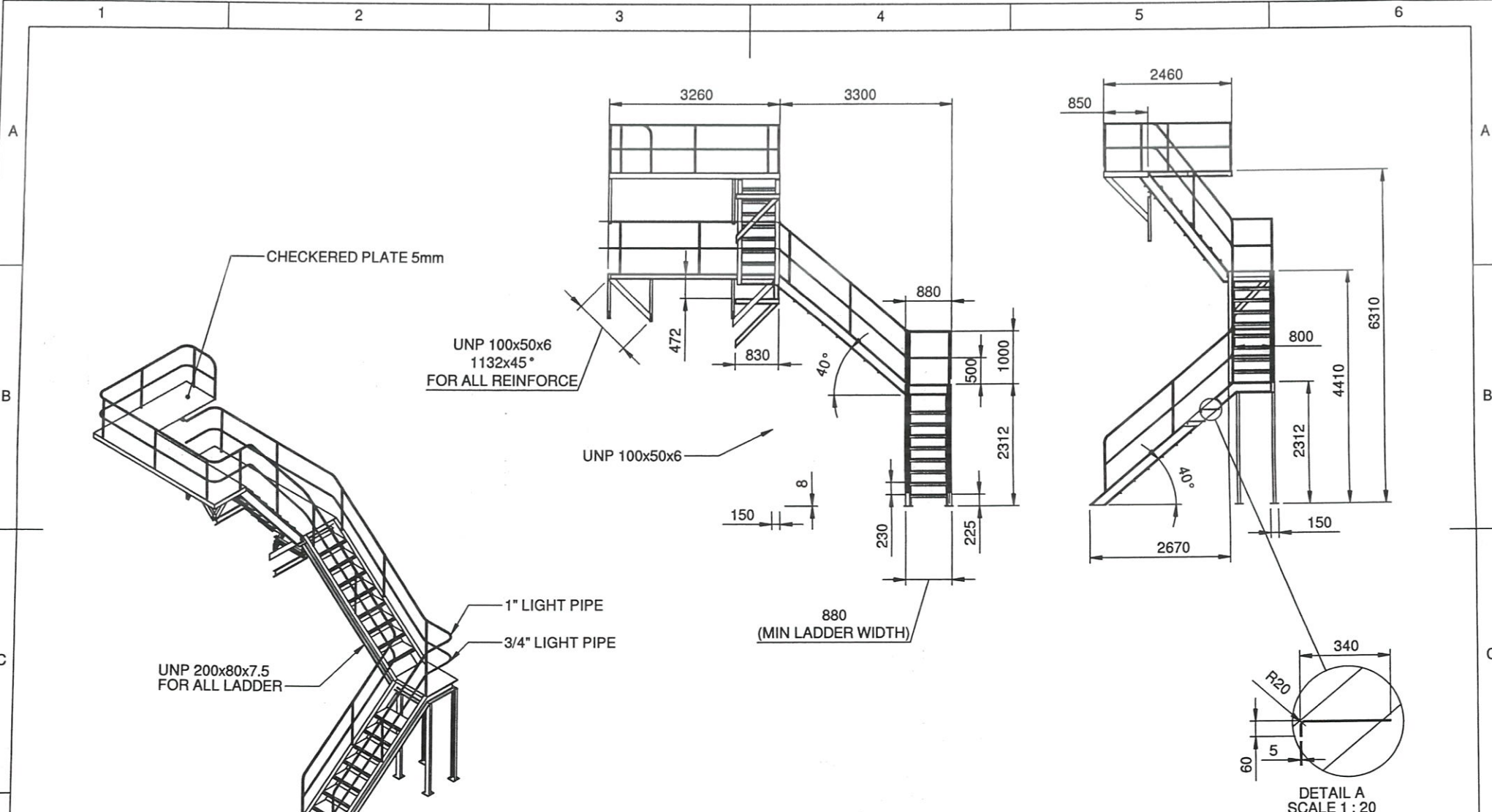
POLISHING	GRINDING	NORMAL MACHINING (SMOOTH SURFACE)	NORMAL MACHINING (ROUGH SURFACE)
▽▽▽	▽▽	▽	▽



** INCOMING PART WILL BE CHECK. IT WILL RETURN IF NOT PASS **

POLISHING	GRINDING	NORMAL MACHINING (SMOOTH SURFACE)	NORMAL MACHINING (ROUGH SURFACE)
▽▽▽	▽▽	▽	▽

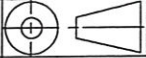
1	DUST COLLECTOR	1	-	EXISTING DUST COLLECTOR
POS	DESCRIPTION	QTY	MATERIAL	REMARKS
	FILE DIR: C:\Users\dell-user\Documents\Yessiko\Crusher\crusher room revision\FINAL DRAWING\		SCALE: 1:100	ASSY NO.
	DIM: mm			DIM: mm
	NAME	DATE	MECHANICAL ENGINEERING SECTION	
	DRAWN YESSIKO	20-Jan-17	TITLE	
	DESIGN MAR	<i>Yessiko</i>	DUST COLLECTOR	
	CHECK YESSIKO			
	APRV SOMPONG			
	CANCEL DWG NO.			
	REF DWG NO.			
	PT SCG LIGHTWEIGHT CONCRETE INDONESIA	A4	2012-DWG-DSC-B-011-A	REV NO. PAGE
				2

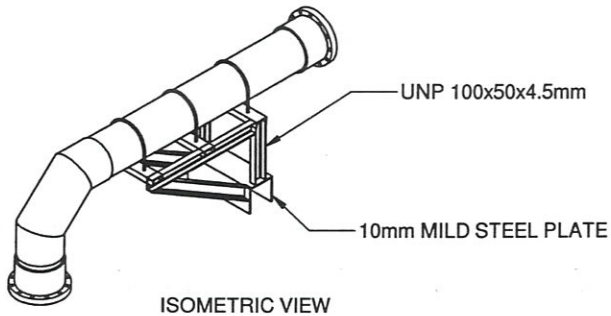
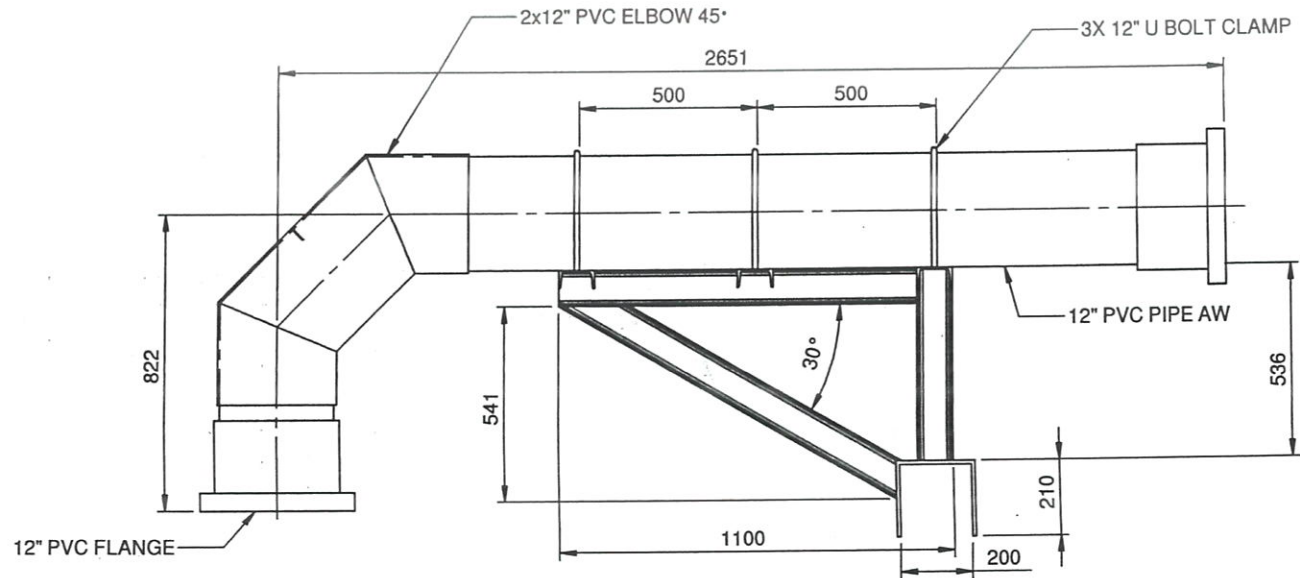
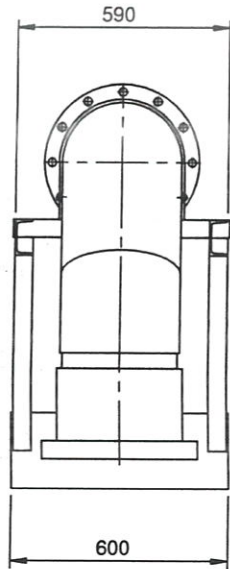


DETAIL A
SCALE 1 : 20

** INCOMING PART WILL BE CHECK. IT WILL RETURN IF NOT PASS **

POLISHING	GRINDING	NORMAL MACHINING (SMOOTH SURFACE)	NORMAL MACHINING (ROUGH SURFACE)
▽▽▽	▽▽	▽	▽

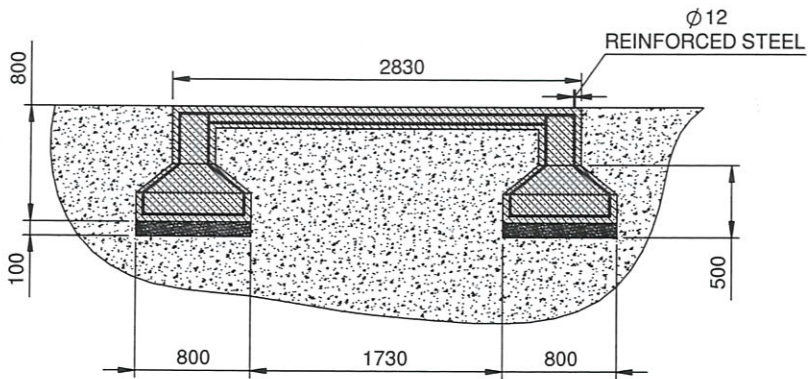
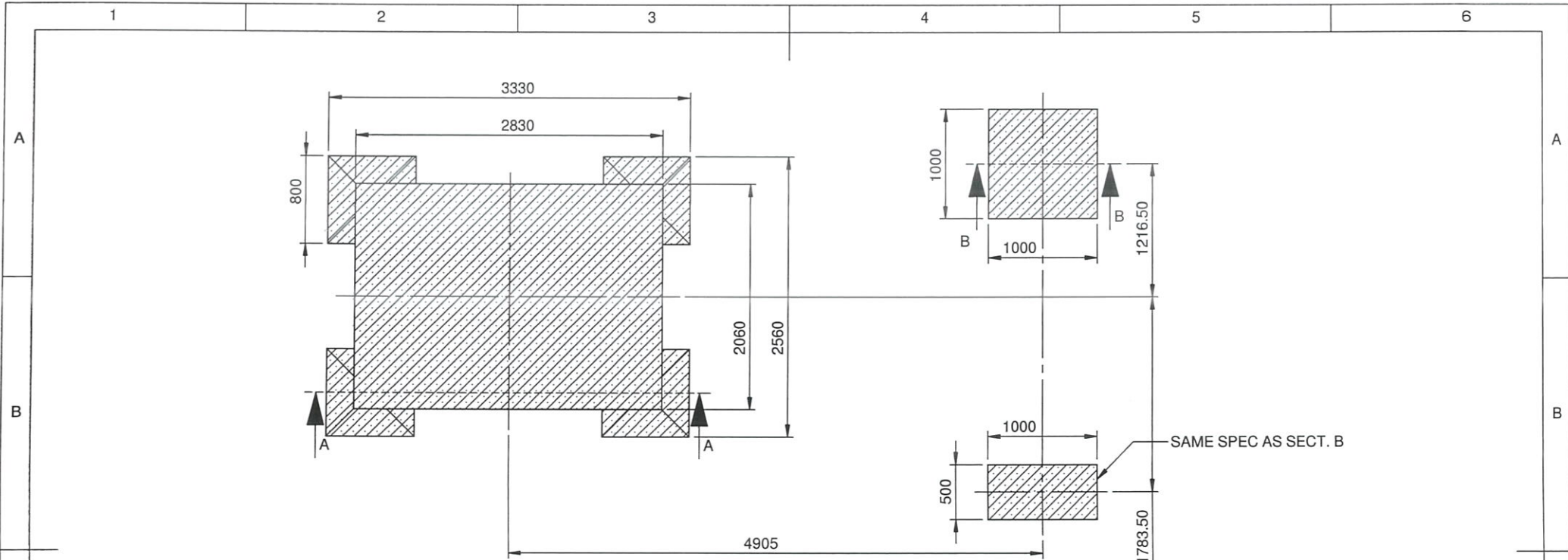
1	PLATFORM	1	MILD STEEL	SAFETY STANDARD FOLLOW SDC SCG CEMENT
POS	DESCRIPTION	QTY	MATERIAL	REMARKS
FILE DIR: C:\Users\dell-user\Documents\Yessiko\Crusher\crusher room revision\FINAL DRAWING\			SCALE: 1:200	DIM: mm
			ASSY NO.	
DIM: mm	NAME	DATE	MECHANICAL ENGINEERING SECTION	
DRAWN	YESSIKO	20-Jan-17	<h2 style="text-align: center;">PLATFORM</h2>	
DESIGN	MAR	<i>Yessiko</i>		
CHECK	YESSIKO			
APRV	SOMPONG			
CANCEL DWG NO.				
REF DWG NO.				
PT SCG LIGHTWEIGHT CONCRETE INDONESIA			A4	2012-DWG-DSC-B-011-B
			REV NO.	PAGE
				3



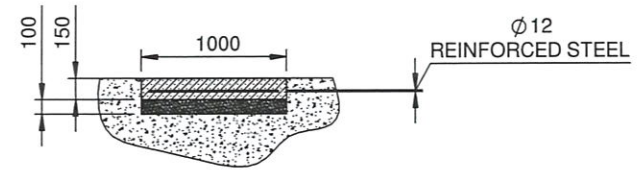
1	PIPING		1	REMARKS	
POS	DESCRIPTION	QTY	MATERIAL		
FILE DIR: C:\Users\dell-user\Documents\Yessiko\Crusher\crusher room revision\FINAL DRAWING			SCALE: 1:50	DIM: mm	ASSY NO.
MECHANICAL ENGINEERING SECTION					
DIM: mm	NAME	DATE	PIPING		
DRAWN	YESSIKO	20-Jan-17			
DESIGN	MAR	<i>[Signature]</i>			
CHECK	YESSIKO				
APRV	SOMPONG				
CANCEL DWG NO.					
REFF DWG NO.					
PT SCG LIGHTWEIGHT CONCRETE INDONESIA			A4	2012-DWG-DSC-B-011-C	
			REV NO.	PAGE	
				4	

** INCOMING PART WILL BE CHECK. IT WILL RETURN IF NOT PASS **

POLISHING	GRINDING	NORMAL MACHINING (SMOOTH SURFACE)	NORMAL MACHINING (ROUGH SURFACE)
▽▽▽	▽▽	▽	▽
1		2	3



SECTION A-A
SCALE 1 : 50



SECTION B-B
SCALE 1 : 50

** INCOMING PART WILL BE CHECK. IT WILL RETURN IF NOT PASS **

POLISHING	GRINDING	NORMAL MACHINING (SMOOTH SURFACE)	NORMAL MACHINING (ROUGH SURFACE)
▽▽▽	▽▽	▽	▽

1	MACHINE FOUNDATION	1	REINFORCED CONCRETE	CONCRETE HARDNESS K-200
POS	DESCRIPTION	QTY	MATERIAL	REMARKS
FILE DIR: C:\Users\idell-user\Documents\Yessiko\Crusher\crusher room revision\FINAL DRAWING			SCALE: 1:100	DIM: mm
			ASSY NO.	
DIM: mm	NAME	DATE	MECHANICAL ENGINEERING SECTION	
DRAWN	YESSIKO	26-Jan-17	TITLE	
DESIGN	MAR		<h2 style="text-align: center;">MACHINE FOUNDATION</h2>	
CHECK	YESSIKO			
APRV	SOMPONG			
CANCEL DWG NO.				
REF DWG NO.				
PT SCG LIGHTWEIGHT CONCRETE INDONESIA			A4	2012-DWG-DSC-B-011-D
			REV NO.	PAGE
				5