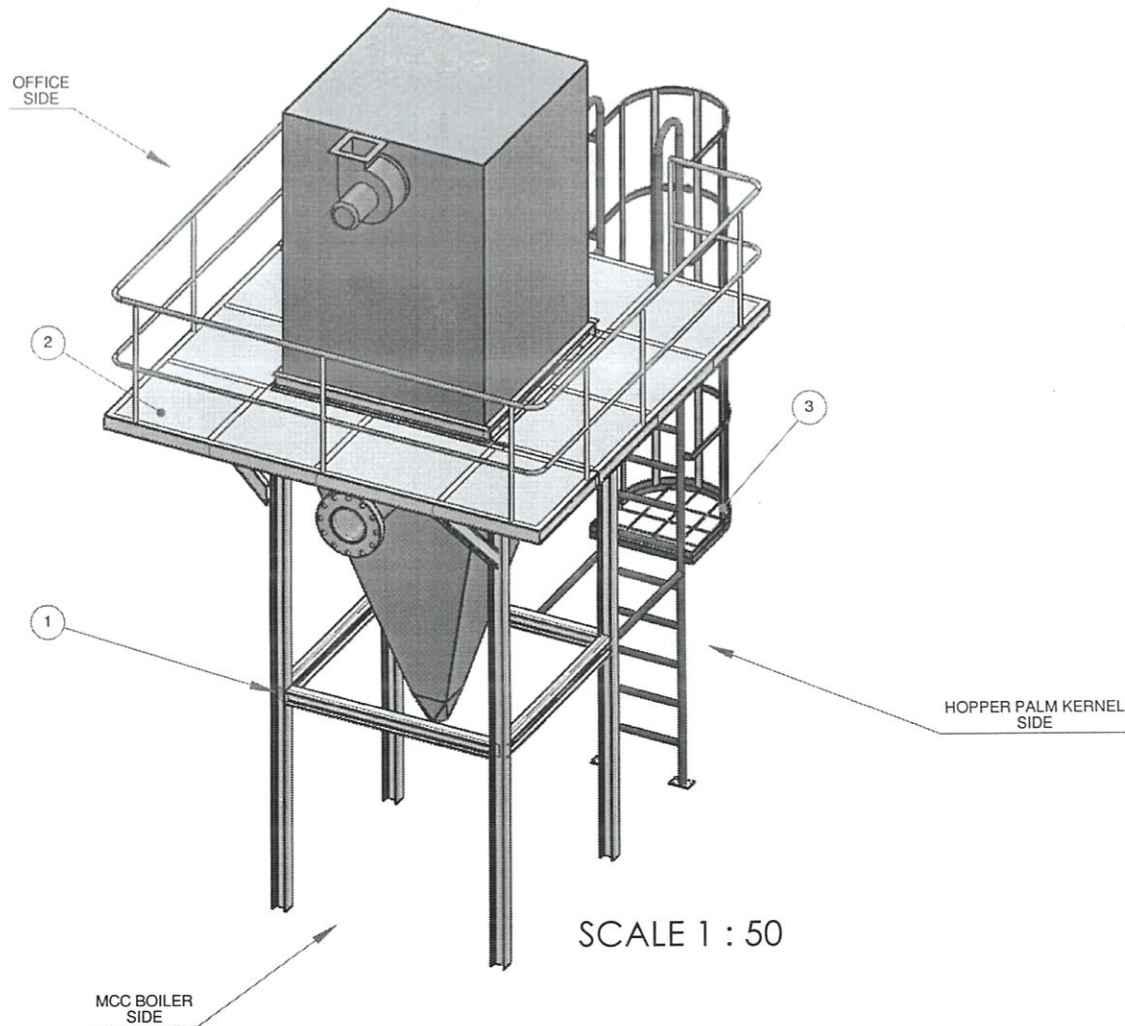


SECTION A-A

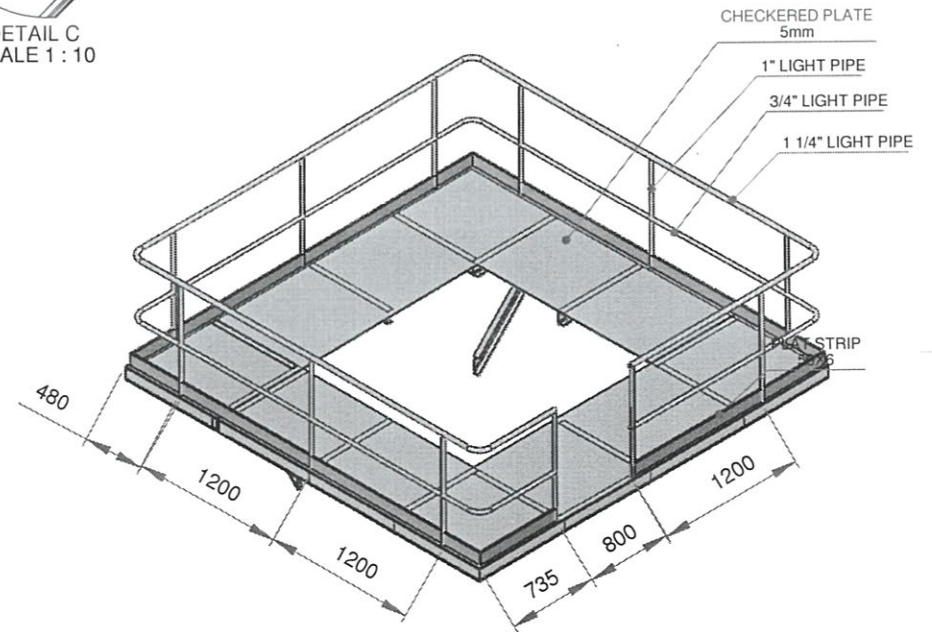
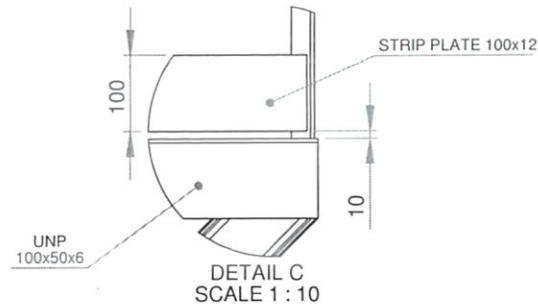
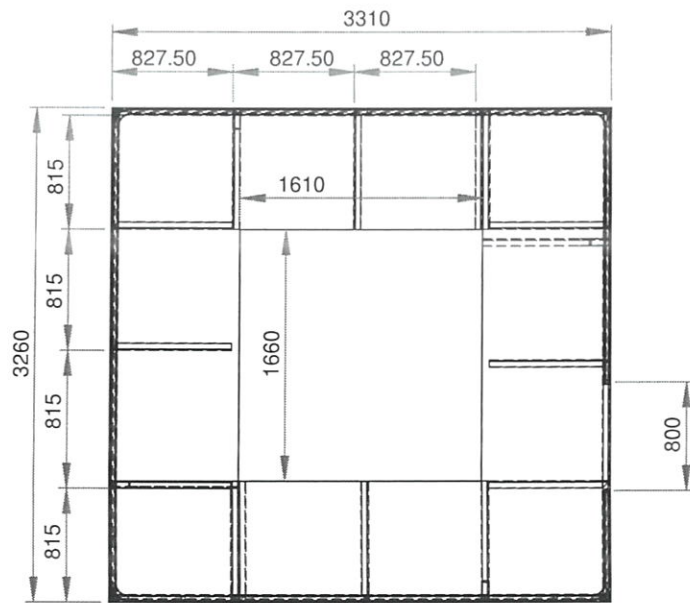


SCALE 1 : 50

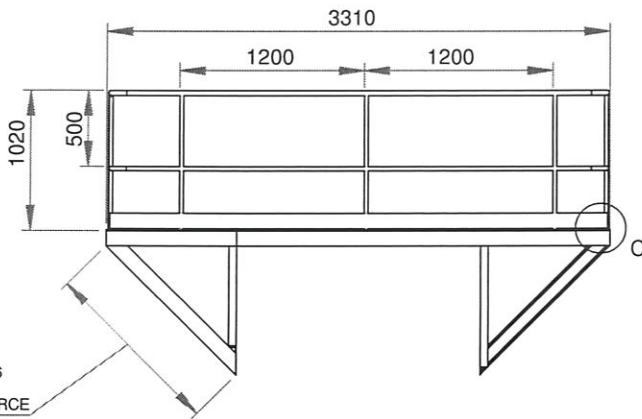
3	LADDER	1	SEE 2012-DWG-BAC-DC01-M-202	-
2	PLATFORM	1	SEE 2012-DWG-BAC-DC01-M-201	-
1	EXISTING FRAME+DSC	-	-	-
POS	DESCRIPTION	QTY	MATERIAL	REMARKS
FILE DIR: 4.15\mechanical\Draft Nuryana\Proyek Pak Rully\Boiler dan Autoclave\Make ladder in dsc bac\Revisi\ALL ASSY				
			SCALE: 1:100	ASSY NO.
MECHANICAL ENGINEERING SECTION				
DIM: mm	NAME	DATE	TITLE BOILER AND AUTOCLAVE	
DRAWN	ENDEN	8/8/2017	ASSY DUST COLLECTOR	
DESIGN	ENDEN			
CHECK	RULLY			
APRV	RULLY			
CANCEL DWG NO.				
REF DWG NO.				

** INCOMING PART WILL BE CHECK. IT WILL RETURN IF NOT PASS **

POLISHING	GRINDING	NORMAL MACHINING (SMOOTH SURFACE)	NORMAL MACHINING (ROUGH SURFACE)
1		2	3



ISOMETRIC VIEW



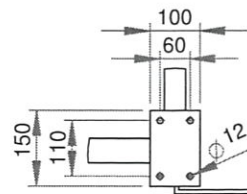
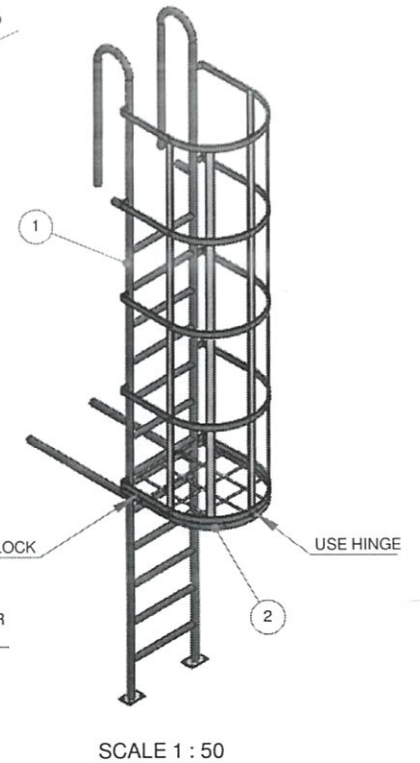
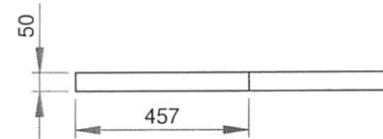
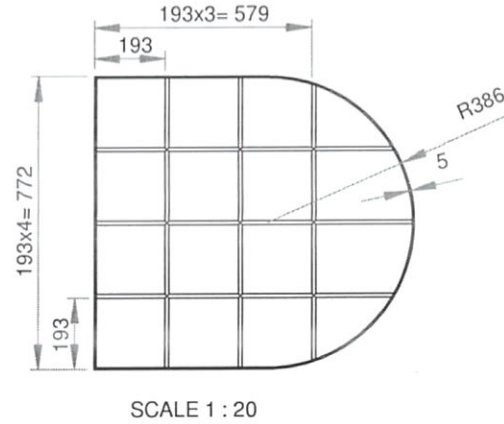
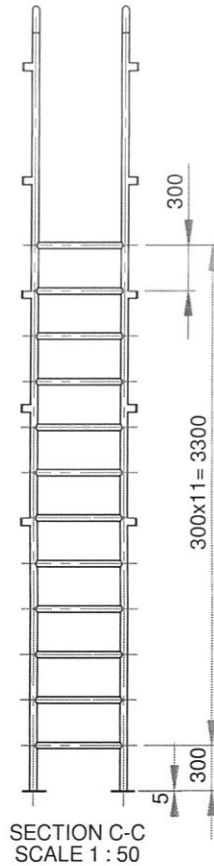
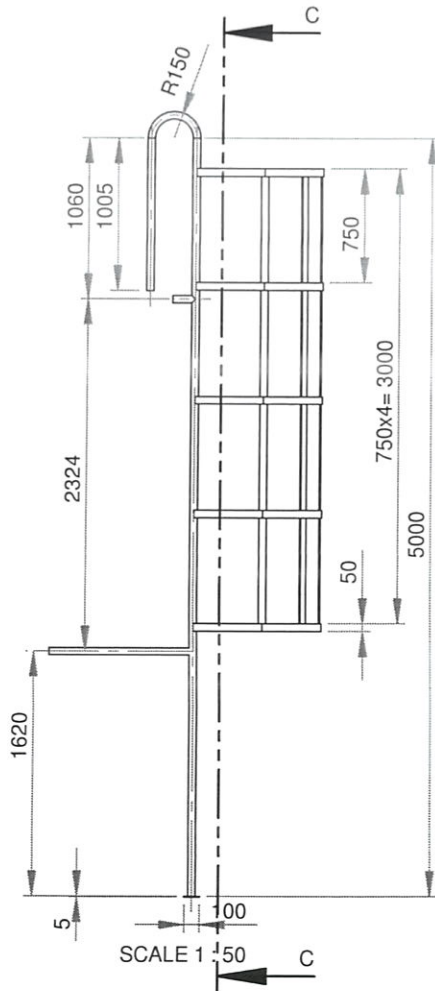
UNP 100x50x6
1200x45*
FOR ALL REINFORCE

** INCOMING PART WILL BE CHECK. IT WILL RETURN IF NOT PASS **

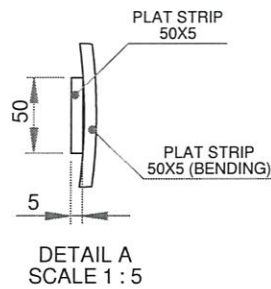
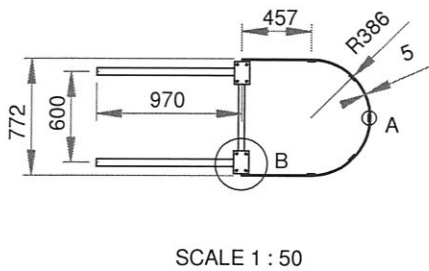
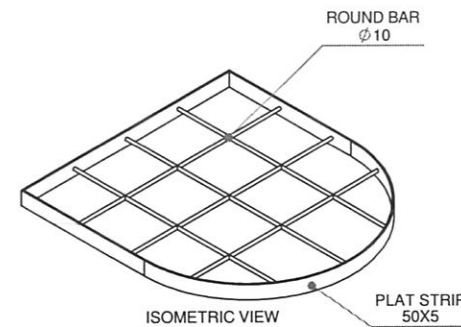
1	PLATFORM	1	MILD STEEL	SAFETY STANDARD FOLLOW CEMMENT
POS	DESCRIPTION	QTY	MATERIAL	REMARKS
FILED	4.15/mechanical/Draft Nuryana/Proyek Pak Rully Boiler dan Autoclave/Make ladder in dsc bac/Revisi/ALL ASSY			
DIM: mm		SCALE: 1:100		ASSY NO.
DRAWN ENDEN		DATE 8/8/2017		Mechanical Engineering Section
DESIGN ENDEN		TITLE		
CHECK RULLY		SIGNATURE		
APRV RULLY				
CANCEL DWG NO.				
REF DWG NO.				
PT SCG LIGHTWEIGHT CONCRETE INDONESIA		A4 2012-DWG-BAC-DC01-M-201		REV NO. PAGE

PLATFORM

POLISHING	GRINDING	NORMAL MACHINING (SMOOTH SURFACE)	NORMAL MACHINING (ROUGH SURFACE)
1		2	3



DETAIL B
SCALE 1:15



** INCOMING PART WILL BE CHECK. IT WILL RETURN IF NOT PASS **

POLISHING	GRINDING	NORMAL MACHINING (SMOOTH SURFACE)	NORMAL MACHINING (ROUGH SURFACE)
▽▽▽	▽▽	▽	▽

2	PROTECTOR LADDER	1	PLAT STRIP+ROUND BAR	
1	LADDER	1	PIPE+PLAT STRIP	
POS	DESCRIPTION	QTY	MATERIAL	REMARKS
File D:\4.15\mechanical\Draft Nuryana\Proyek Pak Rully\Boiler dan Autoclave\Make ladder in dsc bac\Revisi\ALL ASSY\				ASSY NO.
SCALE: 1:100			DIM: mm	
MECHANICAL ENGINEERING SECTION				
DIM: mm	NAME	DATE	TITLE	
DRAWN	ENDEN	8/8/2017		
DESIGN	ENDEN			
CHECK	RULLY			
APRV	RULLY			
CANCEL DWG NO.				
REF DWG NO.				
PT SCG LIGHTWEIGHT CONCRETE INDONESIA			A4 2012-DWG-BAC-DC01-M-202	
				REV NO. PAGE
				3

ASSY LADDER