

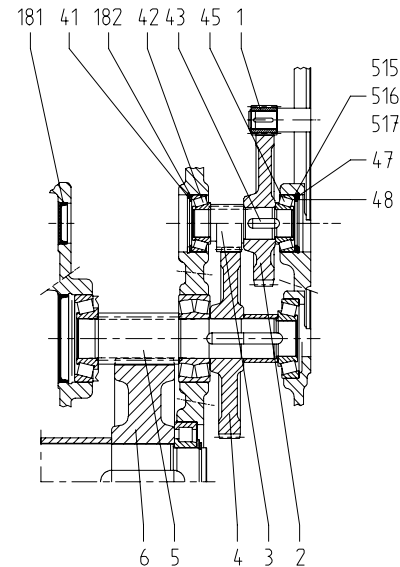
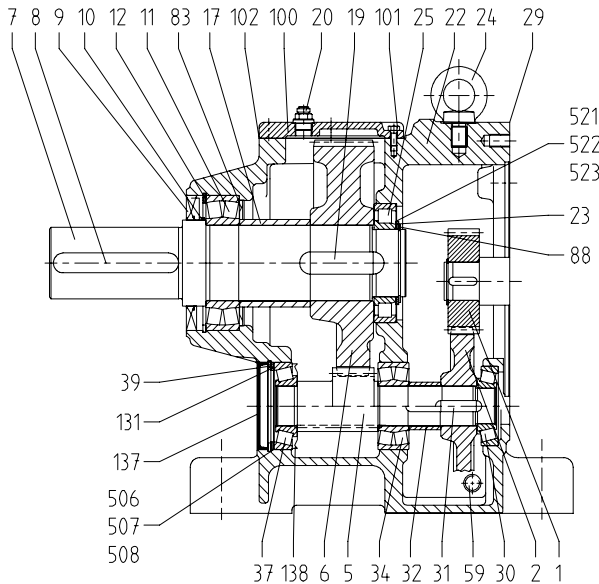
# Parts List

## Helical gear units R167A

01 258 596

2-stage

3-stage



No.	Description	DIN standard label	Part No.	Qty	No.	Description	DIN standard label	Part No.	Qty
1	Pinion		*	1	39	Circlip/Snap r.	DIN472 140x4	0 010 331 4	1
2	Gear wheel		*	1	41	Circlip/Snap r.	DIN472 120x4	0 010 329 2	1
3	Pinion shaft		*	1	42	Tapered Roller Bear.	DIN720 303 11	0 012 470 2	1
4	Gear wheel		*	1	43	Key	DIN6885 B 20x12x40-55HRC	0 013 514 3	1
5	Pinion shaft		*	1	45	Tapered Roller Bear.	DIN720 303 11	0 012 470 2	1
6	Gear wheel		*	1	47	Circlip/Snap r.	DIN472 120x4	0 010 329 2	1
7	Output Shaft	$\varnothing 120 \times 210$ mm	0 641 193 2	1	48	Spacer	DIN988 S 100x120x3,5	0 012 031 6	1
7	Output Shaft (inch)	$\varnothing 4.750 \times 8.27$ in.	0 641 194 0	1	59	Screw Plug	M42x2-PH	0 011 427 8	5
8	Key	DIN6885 A 32x18x200-C45K	0 013 534 8	1	83	Nilos Ring	6226 AV	0 011 815 X	1
8	Key (inch)	1-1/4x1-1/4x6-9/16 in.	0 806 970 0	1	88	Circlip/Snap r.	DIN471 110x4	0 011 996 2	1
9	Oil Seal	BA-SF 145x230x17/14-NBR	0 017 798 9	1	100	Gear Cover Plate		0 641 228 9	1
9	Oil Seal a) h)	BA-SF145x230x17/14-FKM	0 017 838 1	1	101	Hexagon Head Screw	ISO4017 M 12x40-8.8	0 010 124 9	12
10	Oil Seal b) h)	B1-SF145x223x14/22,5-FKM	0 017 398 3	1	102	Sealing Compound		0 910 255 8	X)
11	Self-AligningR. Brg.	DIN635 222 26E	0 011 087 6	1	131	Closing Cap	140x15	0 011 168 6	1
12	Circlip/Snap r.	DIN472 230x5	0 011 450 2	1	137	Spacer	DIN988 S 120x140x3,5	0 012 980 1	1
17	Distance Piece	$\varnothing 132 \times \varnothing 150 \times 110$ mm	0 641 195 9	1	138	Nilos Ring	303 13 AV	0 013 644 1	1
19	Key	DIN6885 B 36x20x110-55HRC	0 011 613 0	1	181	Closing Cap	80x12	0 010 693 3	1
20	Vent Valve	M42x2-MS	0 013 034 6	1	182	Spacer	DIN988 S 100x120x3,5	0 012 031 6	1
22	Gear Housing		0 641 177 0	1	506	Shim	DIN988 120x140x0,1	0 012 378 1	X)
23	Spacer	DIN988 S 110x140x3,5	0 010 362 4	1	507	Shim	DIN988 120x140x0,3	0 012 379 X	X)
24	Lifting Eye Bolt	DIN580 M 30	0 011 303 4	1	508	Shim	DIN988 120x140x0,5	0 012 380 3	X)
25	Cyl. Roll. Bearing	DIN5412 NJ 222E	0 013 709 X	1	515	Shim	DIN988 100x120x0,1	0 010 383 7	X)
29	Sealing Compound		0 910 255 8	X)	516	Shim	DIN988 100x120x0,3	0 010 407 8	X)
30	Tapered Roller Bear.	DIN720 303 11	0 012 470 2	1	517	Shim	DIN988 100x120x0,5	0 010 423 X	X)
31	Key	DIN6885 B 20x12x63-55HRC	0 011 606 8	1	521	Shim	DIN988 110x140x0,1	0 011 326 3	X)
32	Distance Piece	$\varnothing 65 \times \varnothing 75 \times 75$ mm	0 641 196 7	1	522	Shim	DIN988 110x140x0,3	0 011 340 9	X)
34	Self-AligningR. Brg.	DIN635 223 13E	0 010 597 X	1	523	Shim	DIN988 110x140x0,5	0 011 351 4	X)
37	Tapered Roller Bear.	DIN720 303 13	0 012 471 0	1					

Parts with dimensions given in Imperial System units are written in italics and highlighted in grey.

\* Gearing parts have embossed part numbers. These must always be quoted.

X) As required

a) optional oil seal in FKM (Viton)

b) double sealing

h) ATEX model according to category II2G, II2D, II3G, II3D

When ordering spare parts always quote nameplate data with serial number and designation with part number!

Mount-on gear units have motors, variable speed gear units or special input shaft assemblies mounted at the drive end. For parts see appropriate parts list.