

1 2 3 4 5 6

A

B

C

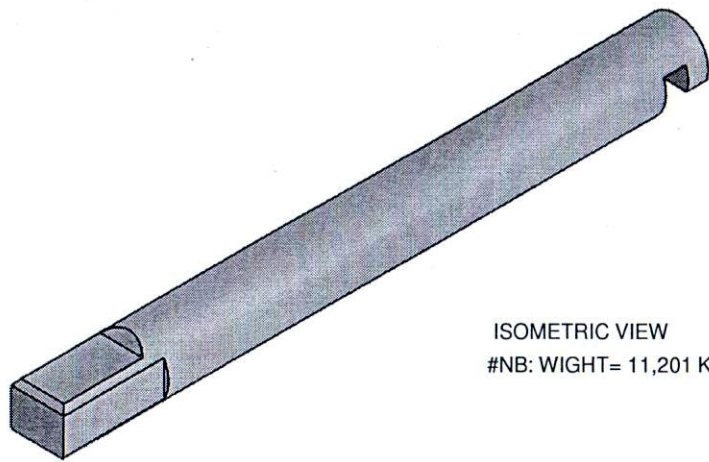
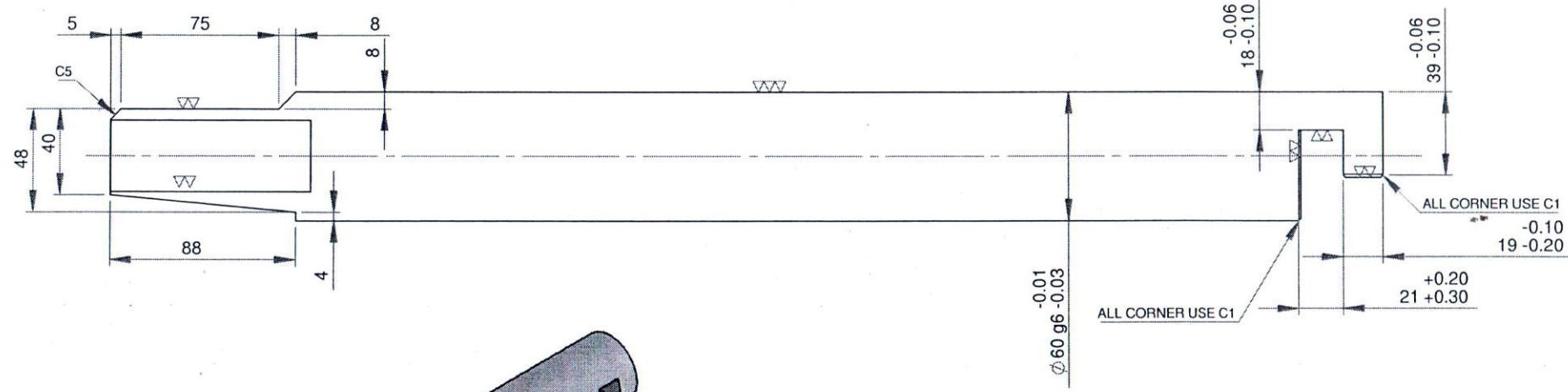
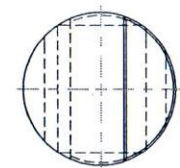
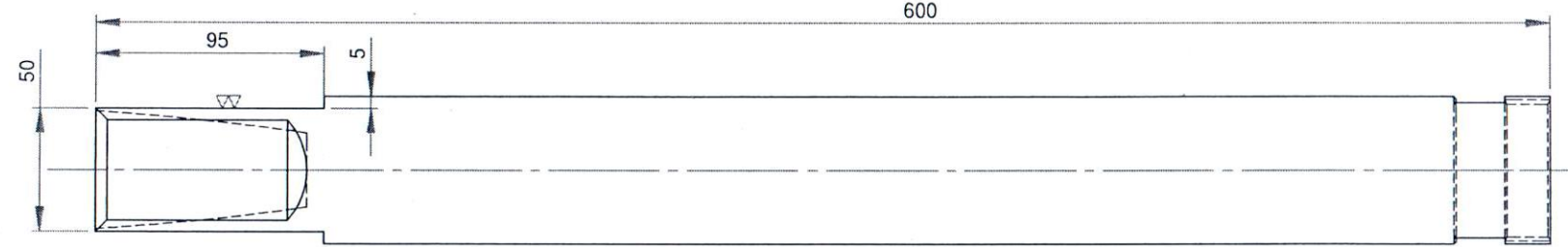
D

A

B

C

D



ISOMETRIC VIEW
#NB: WIGHT= 11,201 KG

** INCOMING PART WILL BE CHECK. IT WILL RETURN IF NOT PASS **

| | | | |
|-----------|----------|-----------------------------------|----------------------------------|
| POLISHING | GRINDING | NORMAL MACHINING (SMOOTH SURFACE) | NORMAL MACHINING (ROUGH SURFACE) |
| ▽▽▽ | ▽▽ | ▽ | ▽ |

| | | | | |
|--|-------------------|--------------------------------|--------------------|-----------|
| 1 | ROD CUTTING BOARD | 1 | VCN 150-HARDCHROME | 40-50 HRC |
| POS | DESCRIPTION | QTY | MATERIAL | REMARKS |
| FILE DIR: \\192.168.4.15\mechanical\Draft Nuryana\Proyek Pak Yessiko\ROD TILLING 2\ | | SCALE: 1:10 | | DIM: mm |
| DIM: mm | | MECHANICAL ENGINEERING SECTION | | |
| DRAWN | ENDEN | DATE 30-Jun-18 | | |
| DESIGN | AVAILABLE | TITLE TILLING 2 | | |
| CHECK | YESSIKO | APRV RULLY | | |
| CANCEL DWG NO. | | REF DWG NO. | | |

ROD CUTTING BOARD