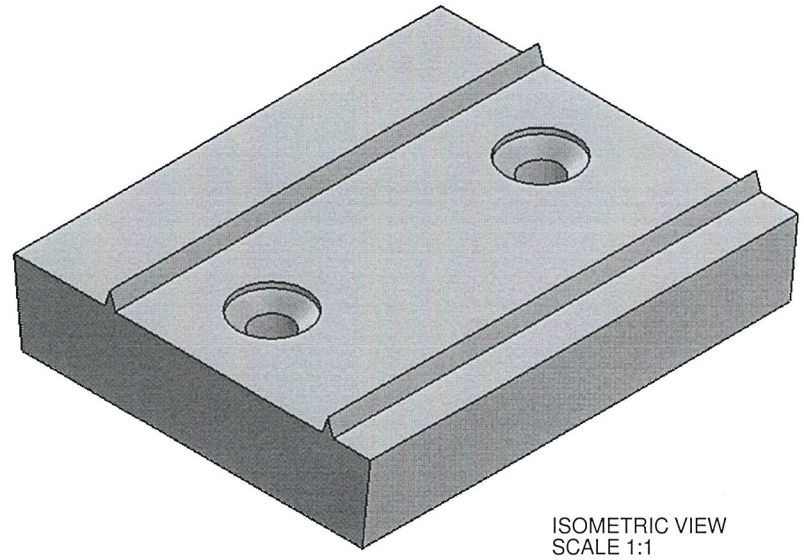


SECTION A-A



ISOMETRIC VIEW
SCALE 1:1

** INCOMING PART WILL BE CHECK. IT WILL RETURN IF NOT PASS **

POLISHING	GRINDING	NORMAL MACHINING (SMOOTH SURFACE)	NORMAL MACHINING (ROUGH SURFACE)
▽▽▽▽	▽▽▽▽	▽▽▽▽	▽▽▽▽

1	SUPPORT PLATE	1	UHMW-PE	-
POS	DESCRIPTION	QTY	MATERIAL	REMARKS
FILE DIR: \\192.168.4.15\mechanical\Draft Nuryana\Proyek Pak Nugie\GSM\Plte Green\		SCALE: 1:1		ASSY NO.
DIM: mm		MECHANICAL ENGINEERING SECTION		
DRAWN	ENDEN	DATE	TITLE PACKING - GREEN SPARATING MACHINE	
DESIGN	AVAILABLE	06-Aug-18	<h1>MODIFICATION SUPPORT PLATE</h1>	
CHECK	YESSIKO			
APRV	M.NUGRAHA			
CANCEL DWG NO.				
REF DWG NO.				