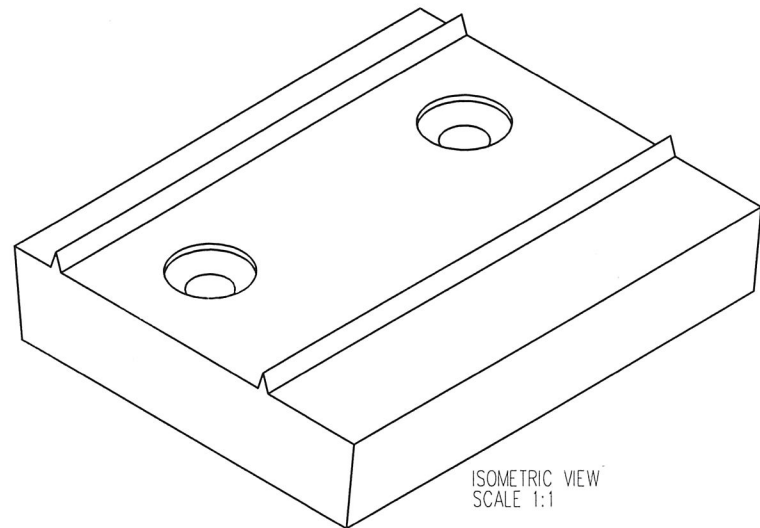


SECTION A-A



ISOMETRIC VIEW  
SCALE 1:1

\*\* INCOMING PART WILL BE CHECK. IT WILL RETURN IF NOT PASS \*\*

|           |          |                                   |                                  |
|-----------|----------|-----------------------------------|----------------------------------|
| POLISHING | GRINDING | NORMAL MACHINING (SMOOTH SURFACE) | NORMAL MACHINING (ROUGH SURFACE) |
| ▽▽▽       | ▽▽       | ▽                                 | ▽                                |

|                                                                                                         |               |           |                           |                                                                   |                                |
|---------------------------------------------------------------------------------------------------------|---------------|-----------|---------------------------|-------------------------------------------------------------------|--------------------------------|
| 1                                                                                                       | SUPPORT PLATE | 1         | UHMW-PE                   | CAST NYLON WILL BE ACCEPTED                                       |                                |
| POS                                                                                                     | DESCRIPTION   | QTY       | MATERIAL                  | REMARKS                                                           |                                |
| FILE DIR:<br>\\192.168.4.15\mechanical\Draft Nuryana\Proyek Pak Nugie\GSM\Ptfe Green\Modif ke-2 (19-11- |               |           | SCALE: 1:1                | DIM: mm                                                           | ASSY NO.                       |
| DIM: mm                                                                                                 | NAME          |           | DATE                      | SIGN                                                              | MECHANICAL ENGINEERING SECTION |
| DRAWN                                                                                                   | ENDEN         | 21-Nov-18 |                           | TITLE PACKING - GREEN SPARING MACHINE                             |                                |
| DESIGN                                                                                                  | SIGIT         |           |                           | <p style="text-align: center;">MODIFICATION<br/>SUPPORT PLATE</p> |                                |
| CHECK                                                                                                   | YESSIKO       |           |                           |                                                                   |                                |
| APRV                                                                                                    | MANUGRAHA     |           |                           |                                                                   |                                |
| CANCEL DWG NO.                                                                                          |               |           |                           |                                                                   |                                |
| REF DWG NO.                                                                                             |               |           |                           |                                                                   |                                |
| PT SCG LIGHTWEIGHT CONCRETE INDONESIA                                                                   |               | A4        | 2012-DWG-GS-M-002946-012A |                                                                   | REV NO. PAGE                   |
|                                                                                                         |               |           |                           |                                                                   | 1                              |