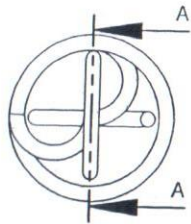
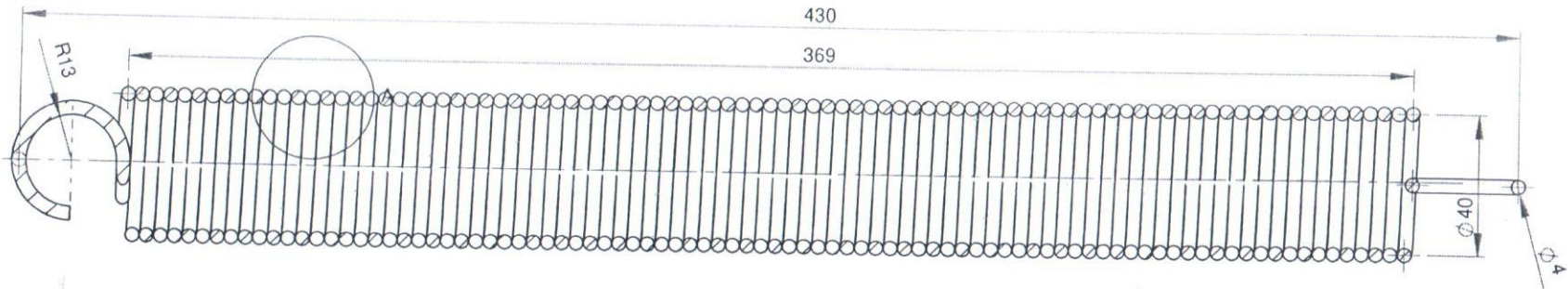


A

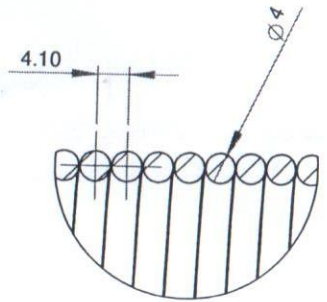
A



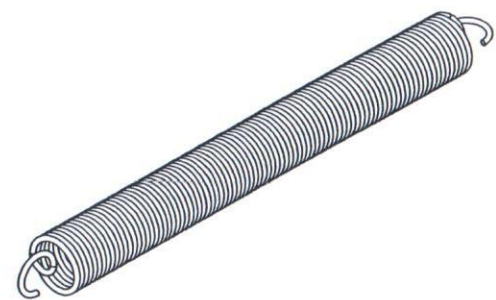
SCALE 1 : 2



SECTION A-A
SCALE 1 : 2



DETAIL A
SCALE 1 : 1



B

B

C

C

D

** INCOMING PART WILL BE CHECK. IT WILL RETURN IF NOT PASS **

POLISHING	GRINDING	NORMAL MACHINING (SMOOTH SURFACE)	NORMAL MACHINING (ROUGH SURFACE)
▽▽▽	▽▽	▽	▽

1	EXTENSION SPRING	1	SPRING STEEL	
POS	DESCRIPTION	QTY	MATERIAL	REMARKS
FILE DIR:		SCALE: 1:5		DIM: mm ASSY NO.
DIM: mm	NAME	DATE	MECHANICAL ENGINEERING SECTION	
DRAWN	ENDEN	9/4/2017	TITLE TRANSFER GSM	
DESIGN	ENDEN			
CHECK	GAMA			
APRV	RULLY			
CANCEL DWG NO.				
REF DWG NO.				

EXTENSION SPRING