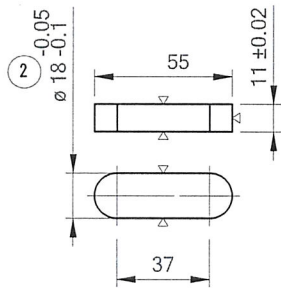


*NB= ESTIMATION WEIGHT: 30 KG

*NB= PLEASE WELDING USE
Welding Electrode Goldweld 785M, 2.6mm
OR COMPATIBLE



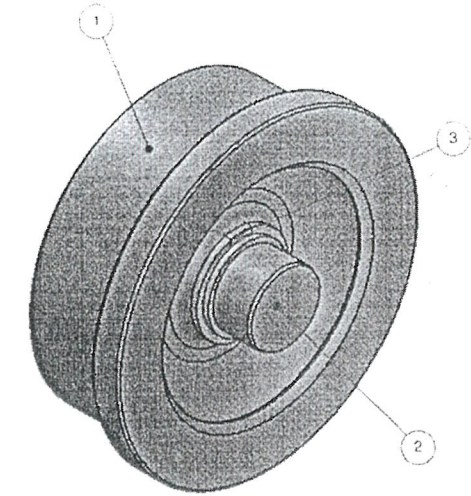
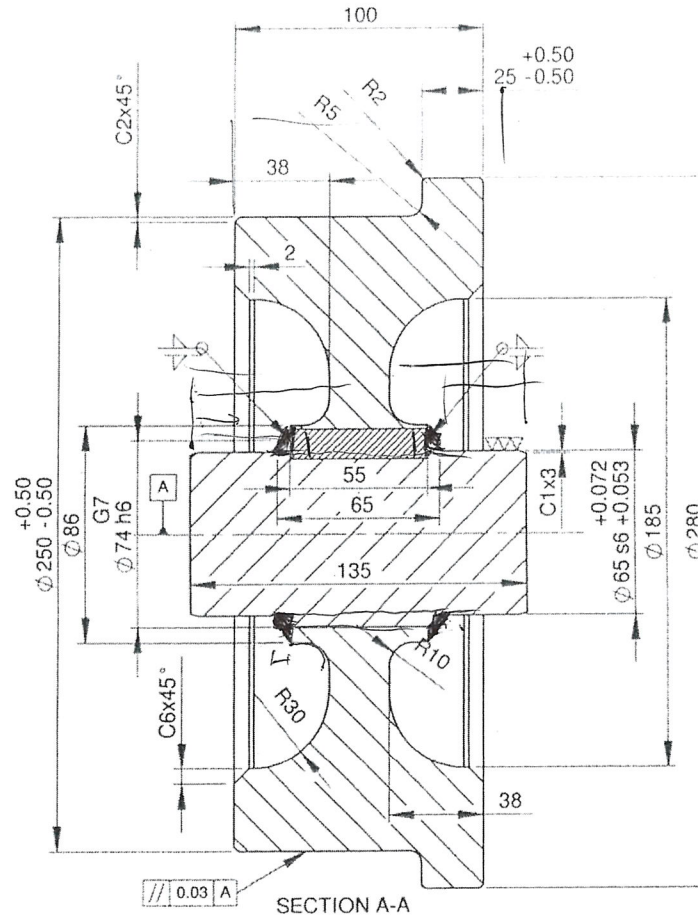
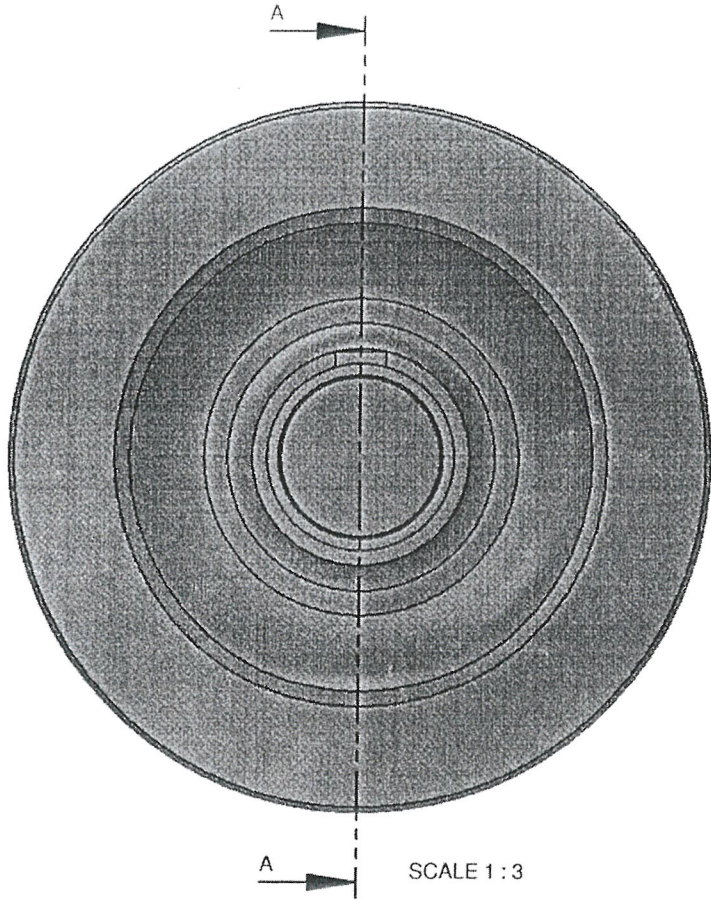
3	SHAFT	1	S-45C	-
2	KEY SHAFT	1	S-45C	-
1	MAIN WHEEL	1	FCD-200	CASTING STEEL
POS	DESCRIPTION	QTY	MATERIAL	REMARKS

FILE DIR: - SCALE: 1:3 DIM: mm ASSY NO. _____

MECHANICAL ENGINEERING SECTION			
DIM: mm	NAME	DATE	SIGN
DRAWN	ENDEN	24/FEB/20	
DESIGN	YESSIKO		
CHECK	YESSIKO		
APRV	MANUGRAHA		
TITLE GSM - CAR TABLE			
WHEEL CAR TABLE			
() = GENERAL TOLERANSI ±0.2% x DIMENSION			
REF DWG NO.			

** INCOMING PART WILL BE CHECK. IT WILL RETURN IF NOT PASS **

POLISHING	GRINDING	NORMAL MACHINING (SMOOTH SURFACE)	NORMAL MACHINING (ROUGH SURFACE)
▽▽▽	▽▽	▽	▽



ISOMETRIC VIEW

3	KEY SHAFT	1	ST37	
2	SHAFT	1	S45C	
1	WHEEL	1	FC200	
POS	DESCRIPTION	QTY	MATERIAL	REMARKS
FILE DIR:		SCALE: 1:5		DIM: mm
\\192.168.4.15\mechanical\Draft Nuryana\Proyek Pak gozali\Transfer Car\		MECHANICAL ENGINEERING SECTION		ASSY NO.
DIM: mm	NAME	DATE	TITLE	
DRAWN	ENDEN	5/10/2017	WHEEL CAR TABLE	
DESIGN	GOZALI	10/5/17		
CHECK	YESSIKO			
APRV	RULLY			
CANCEL DWG NO.				
REF DWG NO.				

** INCOMING PART WILL BE CHECK. IT WILL RETURN IF NOT PASS **

POLISHING	GRINDING	NORMAL MACHINING (SMOOTH SURFACE)	NORMAL MACHINING (ROUGH SURFACE)
1		2	3