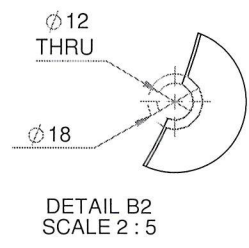
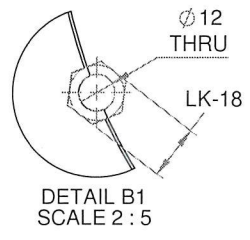


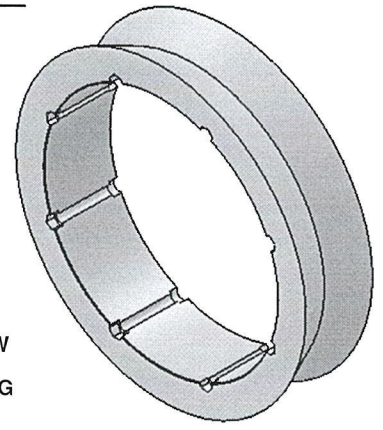
SCALE 1 : 5

SECTION A-A  
SCALE 1 : 5



DETAIL B1  
SCALE 2 : 5

DETAIL B2  
SCALE 2 : 5



ISOMETRIC VIEW  
SCALE (1:5)  
#WEIGHT: 29.2 KG

\*\* INCOMING PART WILL BE CHECK. IT WILL RETURN IF NOT PASS \*\*

|           |          |                                   |                                  |
|-----------|----------|-----------------------------------|----------------------------------|
| POLISHING | GRINDING | NORMAL MACHINING (SMOOTH SURFACE) | NORMAL MACHINING (ROUGH SURFACE) |
| ▽▽▽       | ▽▽       | ▽                                 | ▽                                |

|  |  |  |  |                                      |          |         |          |
|--|--|--|--|--------------------------------------|----------|---------|----------|
| 1 BUSHING PULLEY (MODIFICATION)  |  |  |  | 1 ST-37                              |          | REMARKS |          |
| POS DESCRIPTION  |  |  |  | QTY                                  | MATERIAL |         | ASSY NO. |
| FILE DIR:<br>\\192.168.4.15\mechanical\Draft Nuryana\Proyek Pak Arifin\Cutting line\Cross cutter\Wheel trolley |  |  |  | SCALE: 1:10                          |          | DIM: mm |          |
| MECHANICAL ENGINEERING SECTION   |  |  |  |                                      |          |         |          |
| DRAWN ENDEN 02-Oct-18  |  |  |  | TITLE CUTTING PLANE - TROLLEY        |          |         |          |
| DESIGN USER 02 Oct 18  |  |  |  | <b>BUSHING PULLEY (MODIFICATION)</b> |          |         |          |
| CHECK YESSIKO 2-10-18  |  |  |  |                                      |          |         |          |
| APRV M.NUGRAHA 2-10-18   |  |  |  | REV NO.   PAGE                       |          |         |          |
| () = GENERAL TOLERANSI ±0.2% x DIMENSION   |  |  |  |                                      |          |         |          |
| REF DWG NO. WKB-000473   |  |  |  |                                      |          |         |          |