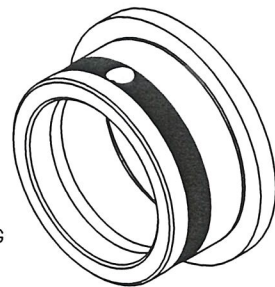
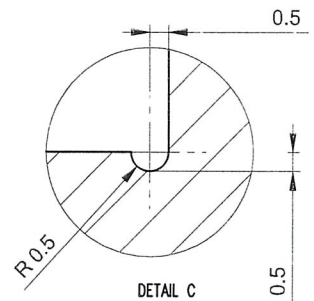
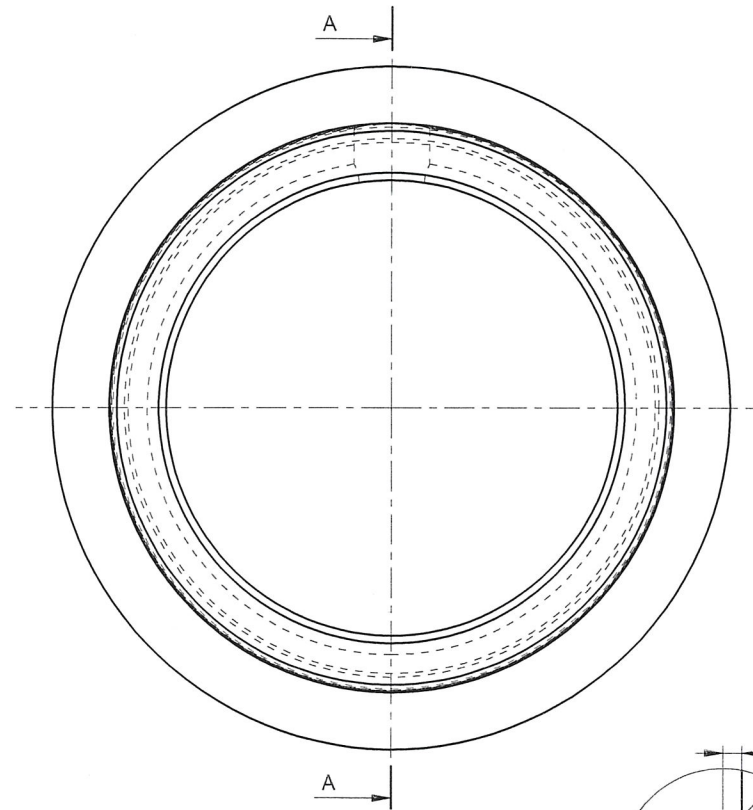


SECTION A-A



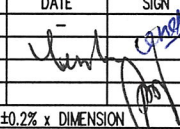
ISOMETRIC VIEW
*NB= ESTIMATION WEIGHT: 0.8 KG



DETAIL C

** INCOMING PART WILL BE CHECK. IT WILL RETURN IF NOT PASS **

POLISHING	GRINDING	NORMAL MACHINING (SMOOTH SURFACE)	NORMAL MACHINING (ROUGH SURFACE)
▽▽▽▽	▽▽	▽▽	▽

1	BUSHING INNER	1	BRONZE	-
POS	DESCRIPTION	QTY	MATERIAL	REMARKS
FILE DIR: _		SCALE: 1:1		ASSY NO.
DIM: mm		MECHANICAL ENGINEERING SECTION		
DRAWN	ENDEN	DATE	TITLE CUTTING PLAN - TITLING	
DESIGN	USER			
CHECK	YESSIKO			
APRV	MANURAHA			
() = GENERAL TOLERANSI $\pm 0.2\% \times$ DIMENSION REFF DWG NO. 2012-DWG-CP-M-00514-031				
			BUSHING CUTTING BOARD ARREST INNER	



PT SCG LIGHTWEIGHT CONCRETE INDONESIA

A4

2012-DWG-CP-M-00514-030-A

REV NO. PAGE

2

-