

PT.DUTAFLOW HIDROLIK

JL. DAAN MOGOT KM 3, RUKAN GREEN GARDEN BLOK Z-2 NO.68
KEDOYA UTARA JAKARTA BARAT 11520
021-5815236, 5814173 FAX 021-5815235

QUOTATION

No. QUO/XII/24/0093

Tanggal : 11 Desember 2024

Sales : DOLEN

Mata Uang : IDR - RUPIAH

Tempo : 30 Hari

Customer

PT. SCG LIGHTWEIGHT CONCRETE INDONESIA (CU00776)

JL.SURYA TEKNO KAV I-T1-3, SURYACIPTA CITY OF INDUSTRY,
KUTAMEKAR, CIAMPEL, KARAWANG, JAWA BARAT 41361

BAPAK YOGA

Hal : 1 / 1

No.	Nama Produk	Ket.	Quantity	@ Harga	Disc.%	Total Harga
1	HYDRAULIC CYLINDER WELDED FA DIMENSI BORE 80/95 X AS 45 X ST120MM * MATERIAL VCN-150 FOR AS ROD & PISTON		1 UNIT	4,845,000	0	4,845,000

Terbilang :

LIMA JUTA TIGA RATUS TUJUH PULUH TUJUH RIBU SEMBILAN RATUS LIMA PULUH RUPIAH

Total Harga : 4,845,000

Discount : 0

Total Setelah Disc : 4,845,000

PPN : 532,950

Grand Total : 5,377,950

Keterangan :

VALIDITY 1 WEEK

DELIVERY TIME 2-3 WEEK

Hormat Kami,

(DINA)



PT. BESTTOFLOW SYSTEM



QUOTATION

QUO-BTF-24/12/00165

Attention :
BAPAK YOKI
PT.SCG LIGHTWEIGHT CONCRETE INDONESIA
 JL.SURYA TEKNO KAV I-T1-3 SURYACIPTA CITY OF INDUSTRIES
 BLOK - NO. - RT:000 RW:000 KEL.KUTAMEKAR
 Telp. 0267-8610361
 Fax.

Date : 13-December-2024
 Reference : CYLINDER
 Currency : IDR
 Validity : 1 Week
 Sales in charge : RIA
 TOP : 30 Hari

NO	DESCRIPTION	QTY	UOM	Delivery	UNIT PRICE	TOTAL PRICE
1	HYDRAULIC CYLINDER LOCK ARREST VCN 150	4	UNIT	2 WEEKS	7.063.200,00	28.252.800,00

Catatan (Remarks) :
 FRANCO JABODETABEK

Sub Total	:	28.252.800,00
Discount	:	0.00
PPN (V.A.T)	:	3.107.808,00
Grand Total	:	31.360.608,00

RIA

KAWASAN PERGUDANGAN DAN INDUSTRI DAAN MOGOT ERA PRIMA
 JL.DAAN MOGOT KM 21 N-31 NO.31 RT.004 RW.005 PORIS PLAWAD CIPONDOH
 NO TELP : 021-55727715/16, 021-55727831
 NPWP : 02.751.238.3-039.000



Forward To :

PT SCG Lightweight Concrete Indonesia
Jl. Surya Tekno Kawasan Industri Surya Cipta
KAV I-TI-3, Kutamekar Ciampel, Jawa-Barat 41363
Phone : 021-31900577
Fax :

Shipped To :

PT SCG Lightweight Concrete Indonesia
Jl. Surya Tekno Kawasan Industri Surya Cip
KAV I-TI-3, Kutamekar Ciampel, Jawa-Barat 41363
Phone : 021-31900577
Fax :
Email : febiani.iayanti@nesitor.com

Attention to :

Mrs Febi

QUOTATION

[Sealing Solutions & Hydraulic Services]

QO No : I24121901

Date : 19 Desember 2024

Our Ref. :

Date :

From / Sales Engineer :

Name : **Mr Irvan**

Phone : 081291254409

Fax : 021-85508574

Email : irvan@sjj-nusantara.com

We are pleased to quote you the followings :

No	Descriptions	Qty	Unit	Unit Price (IDR)	Amount (IDR)
1	Cylinder Hydraulic HWD 80/95 X AS IH 45 X ST 127mm	4	Btg	4.840.000	19.360.000
2					
3					
4					
5					
6					
7					
8					
9					
10					
11					
12					
13					
14					
15					
16					

Delivery Time : **2-3 Weeks**
Delivery Terms : **Franco Your Ware House**
Payment Terms : **30 Days**

Validity : **30 days from date of quotation.**

IMPT : Price quoted is based on the quantity stated above in one order.

Sub Total : **19.360.000**
Discount % : **0**
DPP (After Discount) : **19.360.000**
VAT 11 % : **2.129.600**
Freight : **0**

Grand Total : 21.489.600

We hope this offer meets your expectations and we are looking forward to receive your order.

You can rest assured that your order will be came out to your entire satisfaction.

Notes :

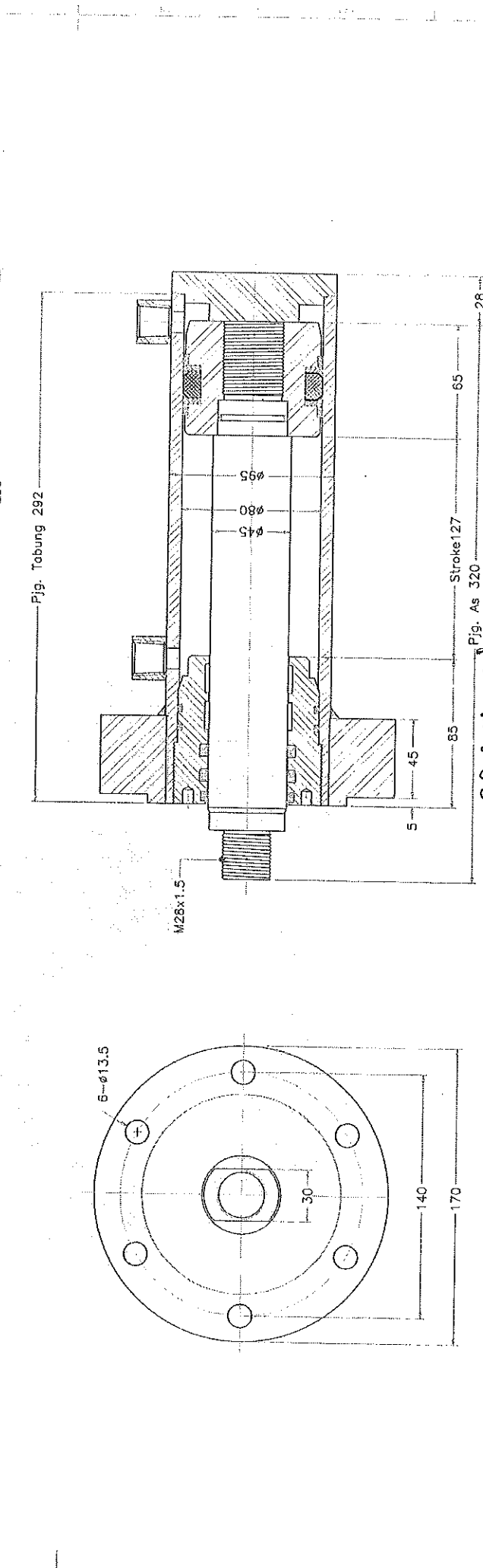
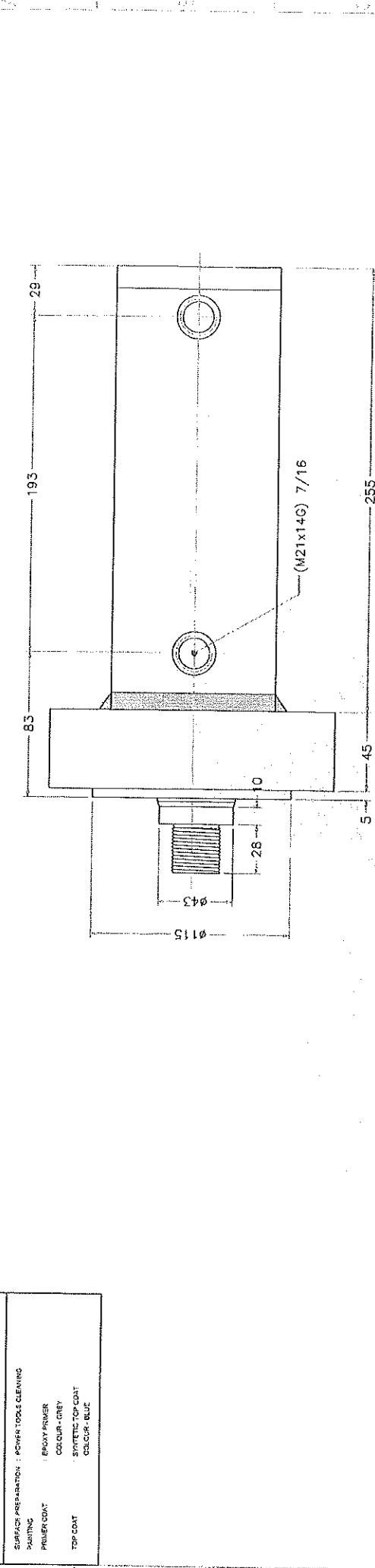
Item No 4 Indent 6-7 Weeks, Harga sudah Termasuk COC

Bekasi, **19 Desember 2024**
Your Sincerely,

Mr Irvan
Sales Manager Hydraulic System

GENERAL NOTES	
1.	ALL DIMENSIONS ARE IN MILLIMETERS UNLESS NOTE OTHERWISE
2.	ALL STRUCTURAL STEEL FABRICATION & CONSTRUCTION SHALL BE IN ACCORDANCE WITH STANDARD

PAINTING SPECIFICATION	
SURFACE PREPARATION :	POWER TOOLS CLEANING
PAINTING :	EPOXY PRIMER
PRIMER COAT :	COLOUR - GREY
TOP COAT :	SYNTHETIC TOP COAT
	COLOUR - BLUE



TOLERANSI UHUM PERMESINAN								
NOMINAL	>0.5 s.d.3	±3 s.d.6	±0.5 s.d.120	±1.2 s.d.515	±2 s.d.1000	±3 s.d.2000	±4 s.d.5000	±5 s.d.8000
TOLERANSI	±0.15	±0.2	±0.5	±1.2	±2	±3	±4	±5

Drawn by	Checked by	Approved by	Dimension	Date	Scale	No-JOB	Qty
JUDY	ASEN	SALES	MM	04/12/2023	1:1	2312-02	1 PCS

TITLE :	
HNVA BORE 80/95 x AS 45 x STROKE 127	
CUSTOMER :	PT

PT. DJITAFLOW HIDROLIK HYDRAULIC ENGINEERING SERVICE	
---	--