



Attention :
 BAPAK YOKI
 PT.SCG LIGHTWEIGHT CONCRETE INDONESIA
 JL.SURYA TEKNO KAV I-T1-3 SURYACIPTA CITY OF INDUSTRIES
 BLOK - NO. - RT:000 RW:000 KEL.KUTAMEKAR
 Telp. 0267-8610361
 Fax.

Date : 13-December-2024
 Reference : CYLINDER
 Currency : IDR
 Validity : 1 Week
 Sales in charge : RIA
 TOP : 30 Hari

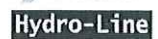
NO	DESCRIPTION	QTY	UOM	Delivery	UNIT PRICE	TOTAL PRICE
1	HYDRAULIC CYLINDER LOCK ARREST VCN 150	4	UNIT	2 WEEKS	7.063.200,00 4.500.000 Konfirmasi Harga ke Ibu RIA	28.252.800,00

Catatan (Remarks) :
 FRANCO JABODETABEK

Sub Total	:	28.252.800,00
Discount	:	0.00
PPN (V.A.T)	:	3.107.808,00
Grand Total	:	31.360.608,00

RIA

KAWASAN PERGUDANGAN DAN INDUSTRI DAAN MOGOT ERA PRIMA
 JL.DAAN MOGOT KM 21 N-31 NO.31 RT.004 RW.005 PORIS PLAWAD CIPONDOH
 NO TELP : 021-55727715/16, 021-55727831
 NPWP : 02.751.238.3-039.000



PT.DUTAFLOW HIDROLIK

JL. DAAN MOGOT KM 3, RUKAN GREEN GARDEN BLOK Z-2 NO.68
KEDOYA UTARA JAKARTA BARAT 11520
021-5815236, 5814173 FAX 021-5815235

QUOTATION

No. QUO/XII/24/0093

Tanggal : 11 Desember 2024

Sales : DOLEN

Mata Uang : IDR - RUPIAH

Tempo : 30 Hari

Customer

PT. SCG LIGHTWEIGHT CONCRETE INDONESIA (CU00776)

JL.SURYA TEKNO KAV I-T1-3, SURYACIPTA CITY OF INDUSTRY,
KUTAMEKAR, CIAMPEL, KARAWANG, JAWA BARAT 41361

BAPAK YOGA

Hal : 1 / 1

No.	Nama Produk	Ket.	Quantity	@ Harga	Disc.%	Total Harga
1	HYDRAULIC CYLINDER WELDED FA DIMENSI BORE 80/95 X AS 45 X ST120MM * MATERIAL VCN-150 FOR AS ROD & PISTON		1 UNIT	4,845,000	0	4,845,000

Terbilang :

LIMA JUTA TIGA RATUS TUJUH PULUH TUJUH RIBU SEMBILAN RATUS LIMA PULUH RUPIAH

Total Harga : 4,845,000

Discount : 0

Total Setelah Disc : 4,845,000

PPN : 532,950

Grand Total : 5,377,950

Keterangan :

VALIDITY 1 WEEK

DELIVERY TIME 2-3 WEEK

Hormat Kami,

(DINA)

Forward To :

PT SCG Lightweight Concrete Indonesia
Jl. Surya Tekno Kawasan Industri Surya Cipta
KAV I-TI-3, Kutamekar Ciampel, Jawa-Barat 41363
Phone : 021-31900577
Fax :

Shipped To :

PT SCG Lightweight Concrete Indonesia
Jl. Surya Tekno Kawasan Industri Surya Cip
KAV I-TI-3, Kutamekar Ciampel, Jawa-Barat 41363
Phone : 021-31900577
Fax :
Email : febiani.jayanti@nesitor.com

Attention to :

Mrs Febi

QUOTATION

[Sealing Solutions & Hydraulic Services]

QO No : I24121901

Date : 19 Desember 2024

Our Ref. :

Date :

From / Sales Engineer :

Name : **Mr Irvan**

Phone : 081291254409

Fax : 021-85508574

Email : irvan@sjj-nusantara.com

We are pleased to quote you the followings :

No	Descriptions	Qty	Unit	Unit Price (IDR)	Amount (IDR)
1	Cylinder Hydraulic HWD 80/95 X AS IH 45 X ST 127mm	4	Btg	4.840.000	19.360.000
2					
3					
4					
5					
6					
7					
8					
9					
10					
11					
12					
13					
14					
15					
16					

Delivery Time : 2-3 Weeks

Delivery Terms : Franco Your Ware House

Payment Terms : 30 Days

Validity : 30 days from date of quotation.

IMPT : Price quoted is based on the quantity stated above in one order.

Sub Total : 19.360.000

Discount % : 0

DPP (After Discount) : 19.360.000

VAT 11 % : 2.129.600

Freight : 0

Grand Total : 21.489.600

We hope this offer meets your expectations and we are looking forward to receive your order.

You can rest assured that your order will be came out to your entire satisfaction.

Notes :

Item No 4 Indent 6-7 Weeks, Harga sudah Termasuk COC

Bekasi, 19 Desember 2024

Your Sincerely,

Mr Irvan

Sales Manager Hydraulic System

GENERAL NOTES

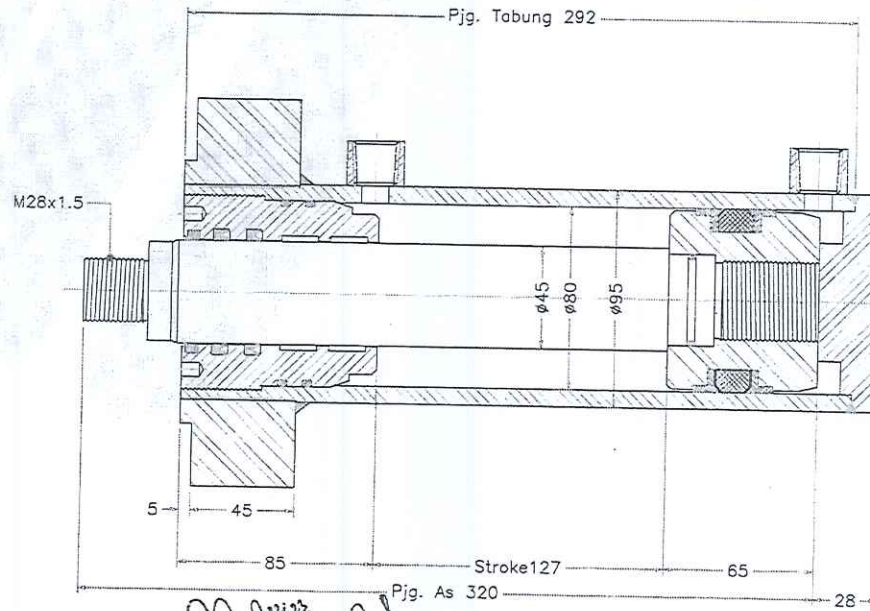
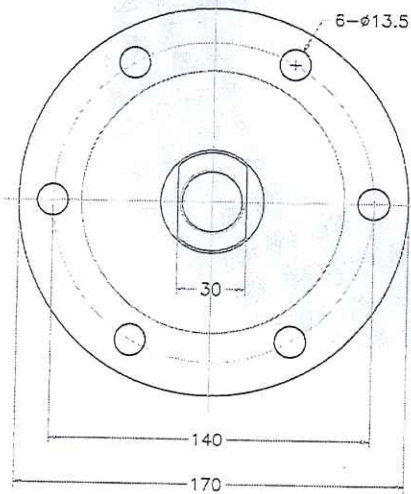
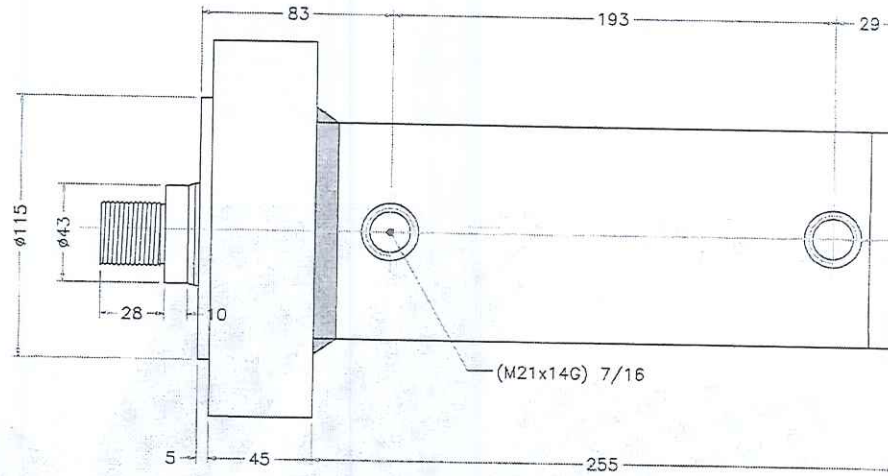
1. ALL DIMENSION ARE IN MILLIMETERES UNLESS NOTE OTHERWISE
2. ALL STRUCTURAL STEEL FABRICATION & CONSTRUCTION SHALL BE IN ACCORDANCE WITH STANDARD

PAINTING SPECIFICATION

SURFACE PREPARATION : POWER TOOLS CLEANING
 PAINTING
 PRIMER COAT : EPOXY PRIMER
 COLOUR - GREY
 TOP COAT : SYNTHETIC TOP COAT
 COLOUR - BLUE

TOLERANSI UMUM PERMESINAN

NOMINAL	>0.5 s/d 3	>3 s/d 6	>6 s/d 30	>30 s/d 120	>120 s/d 315	>315 s/d 1000	>1000 s/d 2000	>2000 s/d 4000	>4000 s/d 6000
TOLERANSI	± 0.15	± 0.2	± 0.5	± 0.8	± 1.2	± 2	± 3	± 4	± 5



TITLE: HWFA BORE 80/95 x AS 45 x STROKE 127
 CUSTOMER: PT

Drawn by
 DUDY

Checked by
 ASEN

Approved by
 SALES

Dimension
 MM

Date
 04/12/2023

Scale
 1 : 1

No-JOB
 2312-002

Qty
 1 PCS

