

# PURCHASE REQUEST CHECK APPROVAL

[Download PDF! \(http://192.168.1.28/download\\_PR/1021017419\)](http://192.168.1.28/download_PR/1021017419)

## ITEM DESCRIPTION

**PR Number** : 1021017419

**Total Price** : IDR 14,478,000

**Attachment** : [Click here \(http://192.168.1.28/assets/lampiranpr/PR\\_1021017419.JPG\)](http://192.168.1.28/assets/lampiranpr/PR_1021017419.JPG)

## Details PR

No.	Item	A	Material	Short Text	Quantity	Unit	Delivery Date	Plant	Matl.Group	PGR	Value	Ref
1	10	F		Pneu.Cyl DSBC 40-100-PPV-a-N3	1.000	UNT	15.06.2026	PT SLCI	Asset; AUC	DBA	1,950,000	
2	20	F		swivel flange SNCL-40	1.000	UNT	15.06.2026	PT SLCI	Asset; AUC	DBA	450,000	
3	30	F		swivel flange SNCB-40	1.000	UNT	15.06.2026	PT SLCI	Asset; AUC	DBA	458,000	
4	40	F		Rod eye SGS M12x1.25	2.000	PC	15.06.2026	PT SLCI	Asset; AUC	DBA	1,040,000	
5	50	F		oneway flow control GRLA-1/4 to 10mm	2.000	UNT	15.06.2026	PT SLCI	Asset; AUC	DBA	1,300,000	
6	60	F		Pneu.cyl ADN32-20-PPV-A	1.000	UNT	15.06.2026	PT SLCI	Asset; AUC	DBA	1,350,000	
7	70	F		PVC conveyor Belt 2 ply 2x800x10000	1.000	ROL	15.06.2026	PT SLCI	Asset; AUC	DBA	2,900,000	
8	80	F		Solenoid valve 5/2	2.000	UNT	15.06.2026	PT SLCI	Asset; AUC	DBA	4,500,000	
9	90	F		solenoid coil MSFG-24/42-50/60	2.000	UNT	15.06.2026	PT SLCI	Asset; AUC	DBA	530,000	

### Purpose:

[10] Mechanical part of filling bag mortar new

[20]

[30]

[40]

[50]

[60]

[70]

[80]

[90]

GL: 910030

IO: 201020000250

<b>Dibuat Oleh,</b> 90723(Nurvandy) 2026-06-08 10:59:50	<b>Checked by,</b> 90031(Sigit Setiyono) <b>Approved</b> at 2026-06-08 11:00:45	<b>Budget Control,</b> 90705(Mohamad Rizky) <b>Approved</b> at 2026-06-08 11:05:56	<b>Approved by,</b> 90006(Atikom Imsap) <b>Approved</b> at 2026-06-09 08:55:27
---	---	--	--



Sold-to  
PT. SCG LIGHTWEIGHT CONCRETE INDONESIA  
Jl Surya Tekno Kav I-T1-3, Suryacipta City  
of Industry, Kutamekar, Ciampel  
41363 Karawang, Jawa Barat

## Quotation

**4932732881**

Date  
09/06/2026

Page  
1 of 5

Your Customer No.  
32624406

Dear Sir or Madam,

Greetings from Festo.

Thank you for your enquiry. We are pleased to provide you with below quotation for your reference and consideration

You can now convert this quotation into an order through Festo Online Shop -  
[www.festo.com/id/en/my-account/quotes/4932732881/](http://www.festo.com/id/en/my-account/quotes/4932732881/)

This is a computer-generated quotation thus no signature is required.

Contact Details  
Festo Contact Centre  
sales\_id@festo.com

Call Center:  
0804-1-2-FESTO (33786)

Fax:  
0804-1-4-FESTO (33786)

E-mail:  
sales\_id@festo.com

PT. BANK HSBC Indonesia  
World Trade Center/KC Jakarta  
Jl. Jend.Sudirman Kav.29-31  
Jakarta 12920  
Bank code: 0870010  
Swift Code: HSBCIDJA  
PT.FESTO  
A/C No. 050-005271-068 (IDR)  
A/C No. 050-005271-115 (EUR)  
A/C No. 050-005271-117 (USD)  
Beneficiary: PT. Festo.


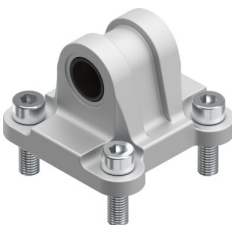
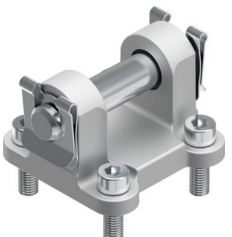
## PT Festo

### Head Office


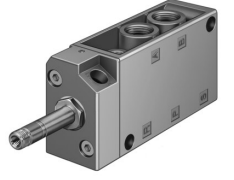

Jl. Tekno V blok A/1 sektor XI  
Kawasan Industri BSD, Serpong  
Tangerang 15314  
Banten – Indonesia  
Web [www.festo.com/id](http://www.festo.com/id)

E1 R E2 DO








Your Customer No.	Supplier No.	Your reference	Quotation	Date	Page
32624406			4932732881	09/06/2026	2 of 5

Description	Material Number	Unit Price IDR	Quantity	Total net IDR
<p><b>stand.based cyl</b></p>  <p><b>Position 10 / Your position 10</b> <b>DSBC-40-100-PPVA-N3</b></p> <p>Stroke mm 100 Standard cylinder DSBC 40 mm 40 Stroke mm 100 Pneumatic cushioning, adjustable on both sides PPV For proximity sensor A In accordance with ISO 15552 N3</p> <p>Customs tariff number=84123100 Country of origin=TR <b>Generally available within two working days</b> <b>Click here for real-time delivery information:</b></p>	1376660	1,951,702	1 PC	1,951,702
<p><b>Swivel flange</b></p>  <p><b>Position 20 / Your position 20</b> <b>SNCL-40</b></p> <p>Customs tariff number=84833090 Country of origin=IN <b>Generally available within two working days</b> <b>Click here for real-time delivery information:</b></p>	174405	302,725	1 PC	302,725
<p><b>Swivel flange</b></p>  <p><b>Position 30 / Your position 30</b> <b>SNCB-40</b></p> <p>Customs tariff number=84833090 Country of origin=IN <b>Generally available within two working days</b> <b>Click here for real-time delivery information:</b></p>	174391	302,725	1 PC	302,725

Your Customer No.	Supplier No.	Your reference	Quotation	Date	Page
32624406			4932732881	09/06/2026	3 of 5

Description	Material Number	Unit Price IDR	Quantity	Total net IDR
<p><b>Rod eye</b></p>  <p><b>Position 40 / Your position 40</b>  <b>SGS-M12X1,25</b>            CLEVIS (ROD EYE)            Customs tariff number=84833090            Country of origin=CN  <b>Generally available within two working days</b>  <b>Click here for real-time delivery information:</b></p> <p><a href="#">CAD</a> <a href="#">3D</a> <a href="#">JPG</a> <a href="#">PDF</a> <a href="#">+</a></p>	9262	474,297	2 PC	948,594
<p><b>1-way contr.val</b></p>  <p><b>Position 50 / Your position 50</b>  <b>GRLA-1/4-QS-10-D</b>            FITTING FOR PROXIMIT            Customs tariff number=84812090            Country of origin=DE  <b>Generally available within two working days</b>  <b>Click here for real-time delivery information:</b></p> <p><a href="#">CAD</a> <a href="#">3D</a> <a href="#">JPG</a> <a href="#">PDF</a> <a href="#">+</a></p>	193148	251,703	2 PC	503,406
<p><b>Solenoid valve</b></p>  <p><b>Position 60 / Your position 60</b>  <b>MFH-5-1/4</b>            Customs tariff number=84812090            Country of origin=IN  <b>Generally available within two working days</b>  <b>Click here for real-time delivery information:</b></p> <p><a href="#">CAD</a> <a href="#">3D</a> <a href="#">JPG</a> <a href="#">PDF</a> <a href="#">+</a></p>	6211	2,406,243	2 PC	4,812,486
<p><b>Solenoid coil</b></p>  <p><b>Position 70 / Your position 70</b>  <b>MSFG-24/42-50/60</b>            SOLENOID COIL DC            Customs tariff number=85059029            Country of origin=DE  <b>Generally available within two working days</b>  <b>Click here for real-time delivery information:</b></p> <p><a href="#">CAD</a> <a href="#">3D</a> <a href="#">JPG</a> <a href="#">PDF</a> <a href="#">+</a></p>	4527	276,506	2 PC	553,012

Your Customer No.	Supplier No.	Your reference	Quotation	Date	Page
32624406			4932732881	09/06/2026	4 of 5

Description	Material Number	Unit Price IDR	Quantity	Total net IDR
<b>Compact cyl.</b>      	<b>Position 80 / Your position 80</b> <b>ADN-32-20-A-P-A</b> Compact cylinder, double acting, based on ISO 21287 32 mm Stroke mm External thread Flexible cushioning rings / pads on both sides For proximity sensor Customs tariff number=84123100 Country of origin=DE <b>Generally available within three to four weeks</b> <b>Click here for real-time delivery information:</b> 	536271	963,528	1 PC 963,528

Order Value net			IDR	10,338,178
Value-Added Tax	11.000 %	Base	Amount	1,137,200
<b>Document Value</b>			<b>IDR</b>	<b>11,475,378</b>
Payment terms:	Within 1 month due net			
Shipping condition:	PackServ/Carrier			
Incoterms:	FCA / Free Delivery			
Valid to date:	09.07.2026			
Transportation time:	Delivery generally 2 working days after shipment			

Your Customer No.	Supplier No.	Your reference	Quotation	Date	Page
32624406			4932732881	09/06/2026	5 of 5
<p>Your quotation is valid for 30 days.</p> <p>The lead time are mentioned against the items in the quotation.</p> <p>Please be advised that there might be a Minimum Order surcharge imposed on the order but can be WAIVED if you are ordering via Festo Online Shop - <a href="http://www.festo.com/id/en/login/?fwacid=cea5198b36a064ed">www.festo.com/id/en/login/?fwacid=cea5198b36a064ed</a></p> <p>These goods are sold in accordance with our condition of sales which can be found on our Festo Homepage by clicking on following link: <a href="https://www.festo.com/id/en/e/legal-information/terms-and-conditions-id_3747/">https://www.festo.com/id/en/e/legal-information/terms-and-conditions-id_3747/</a></p> <p>We encourage you to visit our website <a href="http://www.festo.com/id/en/login/?fwacid=cea5198b36a064ed">www.festo.com/id/en/login/?fwacid=cea5198b36a064ed</a> where you can:</p> <ul style="list-style-type: none"> <li>▪ Get price &amp; delivery lead time information</li> <li>▪ Directly place an order using this quotation reference</li> <li>▪ Size the right product for your application with our Engineering Tools</li> <li>▪ Browse our spare part catalogue &amp; service center information</li> <li>▪ Find technical data like CAD drawing, certificates, etc.</li> </ul> <p>REACH: We comply with the Duty to communicate information as per Directive (EC) 1907/2006 at <a href="http://www.festo.com/productcompliance">www.festo.com/productcompliance</a> -&gt; further information about product compliance -&gt; REACH.</p> <p>The country of origin(s) provided are subject to change without notice.</p> <p>The delivery date provided on the quotation reflects our commitment based on current scheduling. The confirmed delivery date will be stated on the order confirmation.</p>					