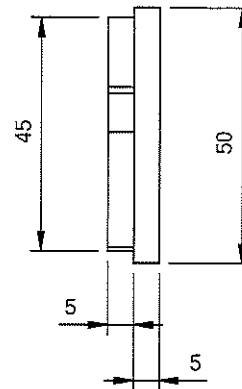
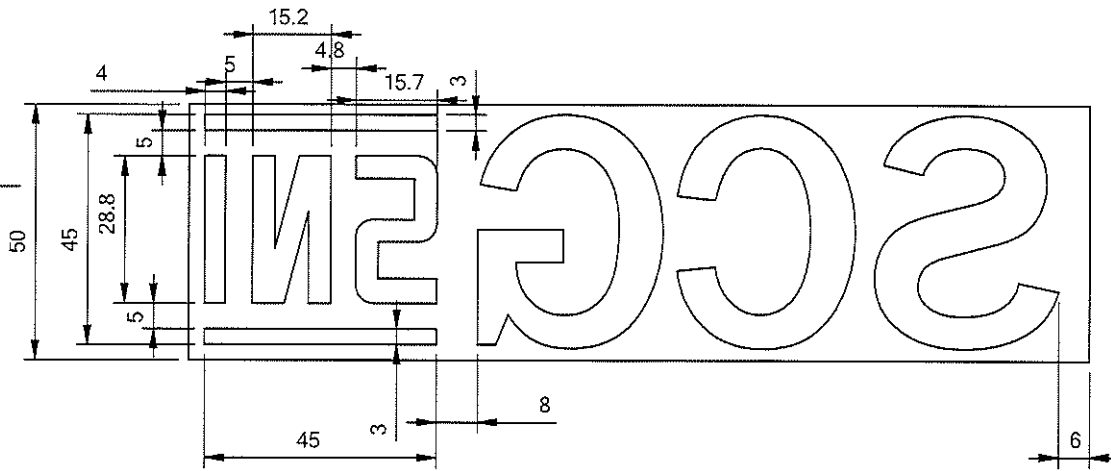


ISOMETRIC VIEW



2					
1	STAMPING SCG	1	SS100		
POS	DESCRIPTION	QTY	MATERIAL	REMARKS	
FILE DIR:		SCALE: 1:1		DIN: mm	
DIR: en	NAME	DATE		MECHANICAL ENGINEERING SECTION	
DRAWN	SIGIT	05-DEC-2023		TITLE CUTTING PLANT	
DESIGN	Available				
CHECK	N. MUGRANA				
APPR	N. MUGRANA				
CANCEL DSG NO.					
SEFF DWG NO.					
PT SCG LIGHTWEIGHT CONCRETE INDONESIA		A4	2012-DWG-CPL-ST2-N-001 C1	REV. NO.	PAGE
				1	1

** INCOMING PART WILL BE CHECK. IT WILL RETURN IF NOT PASS **

POLISHING	GRINDING	NORMAL MACHINING (SMOOTH SURFACE)	SURFAL MACHINING (ROUGH SURFACE)
▽▽▽▽	▽▽▽	▽▽	▽
1		2	



CV. ADWITIYA ENGINEERING

MACHINING & FABRICATION

Office / Workshop

Jl. Raya Setu No. 162 Desa Cibuntu

RT. 001 / RW. 012 Kec. Cibitung Kab. Bekasi

Hp. 0852 1400 5351

E-mail : adwityaengineering@gmail.com

QUOTATION

No : 3232/PEN-AE/III/24
Hal : Penawaran Harga
E-mail : adwityaengineering@gmail.com

Cibitung, 04 Maret 2024

Kepada Yth.
PT. SCG lightweight Concrete Indonesia
Jl. Surya Tekno kav. 1-T1-3 Surya Cipla
Karawang Jawa Barat 41361

Up : Mr. Arfandi Kurniawan
cc :
Telp : -

Dengan hormat,

Sesuai dengan permintaan bapak / ibu, kami mengajukan penawaran harga dengan Item - item sebagai berikut :

No	Nama Item	Description	Qty		Harga Satuan	Jumlah
1	STAMPING SCG SNI	Material S5400	1	Pcs	Rp 3.800.000,00	Rp 3.800.000,00
2	STAMPING Q-CON	Material S5400	1	Pcs	Rp 3.800.000,00	Rp 3.800.000,00
					⊖ 3.600.000	
					confirmed by Ist. Agus 3/3	
TOTAL						Rp 7.600.000,00


Demikian penawaran dari kami, semoga dapat diterima dengan baik. Atas kerja samanya kami ucapkan terima kasih.

Keterangan :

1. Penawaran belum termasuk PPN 11%
2. Penawaran berlaku selama 1 bulan
3. Pemesanan barang yang sudah di order tidak dapat dibatalkan

4. Pembayaran :

Bank BCA No.Rek. : 343-3004481 a/n: CV.ADWITIYA ENGINEERING
NPWP : 31.612.073.2-413.000


CV. ADWITIYA ENGINEERING
Agus Setyawan
CV. Adwitiya Engineering



PT. PRO ROLL INTERNATIONAL

Rubber Rollers Mfg - Rubber Recovering - Hard Chrome -
-Hard Anodize - Polyurethane - Teflon Coating
Taman Kopo Industri E 16 no 166 Bandung 40218 Indonesia

Telp. 022-8887610 Fax 022-8887511 Email : sales@proroll.co.id Website:www.proroll.co.id

COMPANY	: PT. SCG LIGHTWEIGHT CONCRETE INDONESIA	DATE	: 10 MAY 2023
FAX	: 0267-8610360	PAGE	: 1
ATTENTION	: Mr. ARFANDI KURNIAWAN	OUR REF	: PJ-038/V/23
CC	:		

QUOTATION - "YOUR RFQ STAMPING PLAT DURAONE"

Dear Sir,

Thank you for the inquiry and we are pleased to submit our offer :

NO	NO MAT'L	DESCRIPTION	QUANTITY	PRICE	
				EACH	TOTAL
1		STAMPING PLAT DURAONE - DIMENSI : 190 mm x 30 mm x 10 mm - MATERIAL : BESI - DWG REF : 2012-DWG-CPL-ST2-M-001 C-DO2	1 pcs	Rp. 7.500,000 7.000.000	Rp 7,500,000
				confirmed by	

- Delivery Time : 2 WEEKS AFTER RECEIVED PO
: FRC MILL SCG
- TERM OF Payment : Credit Note 30 DAYS after invoice
- VAT (PPN) : Excluded PPN (11%)

Konfirmasi harga ke
pak christian 040924

Thank you, for your kind attention and cooperation
sincerely yours,

YAYANG HERYANTO
(081 822 1581)