



PT. CIPTA PRESISI MANDIRI

PART SPECIALIST, DIES, GEAR, GENERAL CONTRACTOR & ENGINEERING SERVICE

Komplek Pergudangan Kamal Indah

BLOK E no.8 Kamal - Kalideres, Jakarta Barat

Telp. : (021) 2255 7468, 5595 9153 Fax. (021) 5595 9153

Mobile : 0812 1978 1011

E-mail : cpmindonesia@yahoo.co.id

Jakarta 11 September 2024

Nomor : 400/CPM/IX/24/SLCI/015

Hal : Penawaran Harga

Kepada :

PT. SCG Lightweight Concrete Indonesia

Jl.Surya Tekno Kav. I-T1-3 Surya Cipta

Karawang, Jawa Barat 41361

Up. Bp. Yoki

Telp. (0267) 8610362

Dengan hormat,

Bersama ini kami sampaikan penawaran harga untuk pembuatan part standard sesuai dengan gambar yang kami terima, adalah sebagai berikut:

No.	Part Name	Mtrl	Qty	Harga / Pcs	Jumlah
1	Shaft Sleeve 4/3 MST 52mm Dia 60x52mm	DC53 HRC 52-57	4 Pcs	1.250.000	Rp. 5.000.000
				TOTAL	Rp 5.000.000

* Harga diatas belum termasuk PPN 11 %

Keterangan:

- Delivery : 4-6 Minggu setelah PO diterima
- Pembayaran : 2 Minggu setelah barang diterima
- Penawaran ini berlaku selama 1 minggu

Demikian surat penawaran ini kami buat. Atas perhatian dan kerjasamanya kami ucapkan terima kasih.

Hormat kami,

Farizal



PT. ASRI DARMA TEKNIK

Machining & Fabrication

Jl. Manunggal VII Kel. Palumbonsari - Karawang Timur - Karawang

Phone : 081369375465 - Email : asri_darmateknik@yahoo.com

QUOTATION

Karawang, 24 September 2024

Quot'No : 155/QTN-CUS/ADT/IX/2024
Subject : Quotation
Page : 1 of 1
Revisi :
:
:
To : **PT. SCG LIGHTWEIGHT CONCRETE INDONESIA**
Alamat : KAWASAN INDUSTRI SURYA CIPTA KARAWANG

Attn : Mr. Yoki
CC : Mr. Diki

Thank you for your inquiry in we have pleasure to submit our offer as follow :

No	Dwg Code	Description	Qty	Unit Price (IDR)	Amount(IDR)
1	K16A06006	SHAFT SLEEVE 6/4 MST 90 MM	1 PCS	Rp 4,975,000	Rp 4,975,000
2	K16A06007	SHAFT SLEEVE 6/4 MST 55 MM	1 PCS	Rp 2,895,000	Rp 2,895,000
3	K16A06008	SHAFT SLEEVE 4/3 MST 80 MM	1 PCS	Rp 3,467,000	Rp 3,467,000
4	K16A06009	SHAFT SLEEVE 4/3 MST 52 MM	1 PCS	Rp 2,460,000	Rp 2,460,000
		Ket : Proses Harden dan Hardcrome			

Note :

- Harga tidak terikat sewaktu-waktu dapat berubah
- Berlaku sampai 7 hari setelah Quotation di kirim

Total	Rp	13,797,000
PPN 11%	Rp	1,517,670
Grand Total	Rp	15,314,670

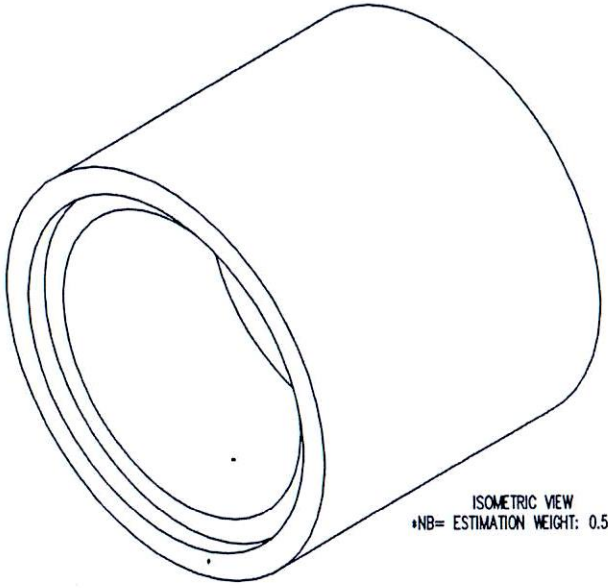
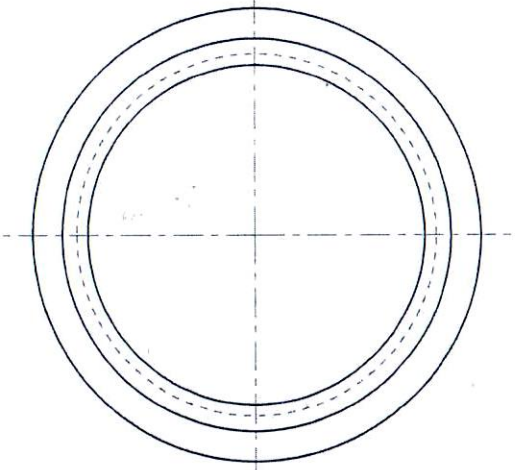
We are looking forward for your best reply confirmation
PT. ASRI DARMA TEKNIK



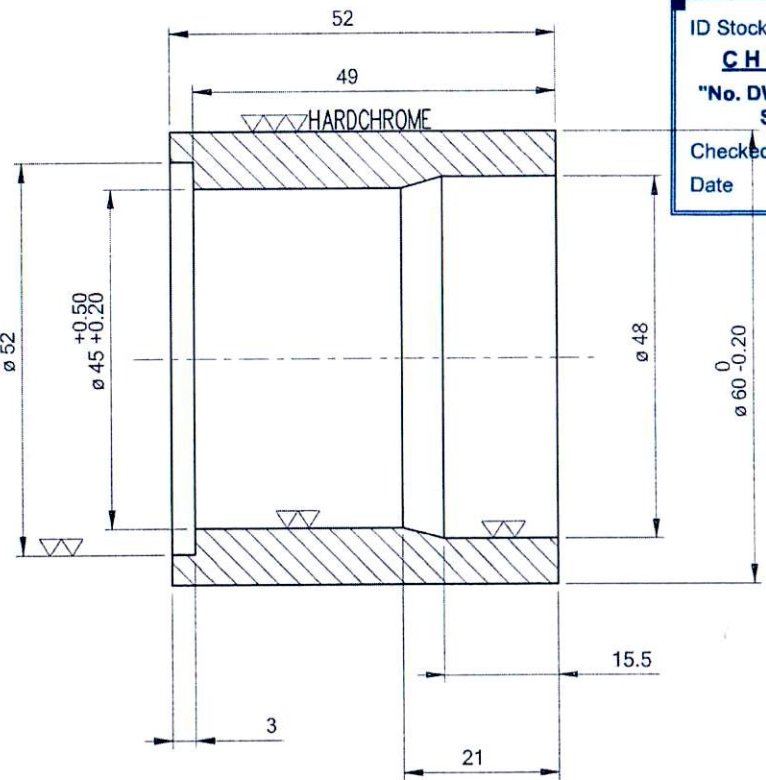
Chandra Darmawan

Marketing & Sales

Hp. 081369375465



ISOMETRIC VIEW
*NB= ESTIMATION WEIGHT: 0.5 KG



ID Stock : K16A06009
CHECKED PASS
 "No. DWG" sesuai dengan "ID Stock" dalam IoT.
 Checked : *[Signature]*
 Date : 15/10/20

** INCOMING PART WILL BE CHECK. IT WILL RETURN IF NOT PASS **

POLISHING	GRINDING	NORMAL MACHINING (SMOOTH SURFACE)	NORMAL MACHINING (ROUGH SURFACE)
▽▽▽	▽▽	▽	▽

1	FRONT SHAFT SLEEVE	1	DC-53 + HARDCHROME	HARDNESS 52-57 HRC
POS	DESCRIPTION	QTY	MATERIAL	REMARKS
FILE DIR: -				SCALE: 1:1
				DIM: mm
				ASSY NO.
MECHANICAL ENGINEERING SECTION				
DIM: mm	NAME	DATE	SIGN	
DRAWN	ENDEN	23/SEPT/19	<i>[Signature]</i>	
DESIGN	ALI	23/9/19	<i>[Signature]</i>	
CHECK	YESSIKO		<i>[Signature]</i>	
APRV	MUNGRAHA		<i>[Signature]</i>	
TITLE SLURRY PUMP - MST4/3				
FRONT SHAFT SLEEVE				
= GENERAL TOLERANSI ±0.2% x DIMENSION				
REF DWG NO.				
PT SCG LIGHTWEIGHT CONCRETE INDONESIA		A4	2012.DWG-MPL-MS43-M-001-2	
		REV NO.	PAGE	
		3	-	