

PURCHASE REQUEST CHECK APPROVAL

ITEM DESCRIPTION

[Download PDF! \(https://iot.slci.co.id/download_PR/1021015192\)](https://iot.slci.co.id/download_PR/1021015192)

PR Number : 1021015192
Total Price : IDR 6,500,000
Attachment : [Click here \(https://iot.slci.co.id/assets/lampiranpr/PR_1021015192.pdf\)](https://iot.slci.co.id/assets/lampiranpr/PR_1021015192.pdf)

Details PR

No.	Item	A	Material	Short Text	Quantity	Unit	Delivery Date	Plant	Matl.Group	PGR	Value
1	10	K		Clamping Unit Assy Cross Cutter	1.000	PC	28.06.2024	PT SLCI	Supplies	DBA	6,500,000

Purpose:

[10] Clamp Wire in Cross Cutter, no Spare [2012-DWG-CP-M-000609-F0]

GL: 523072

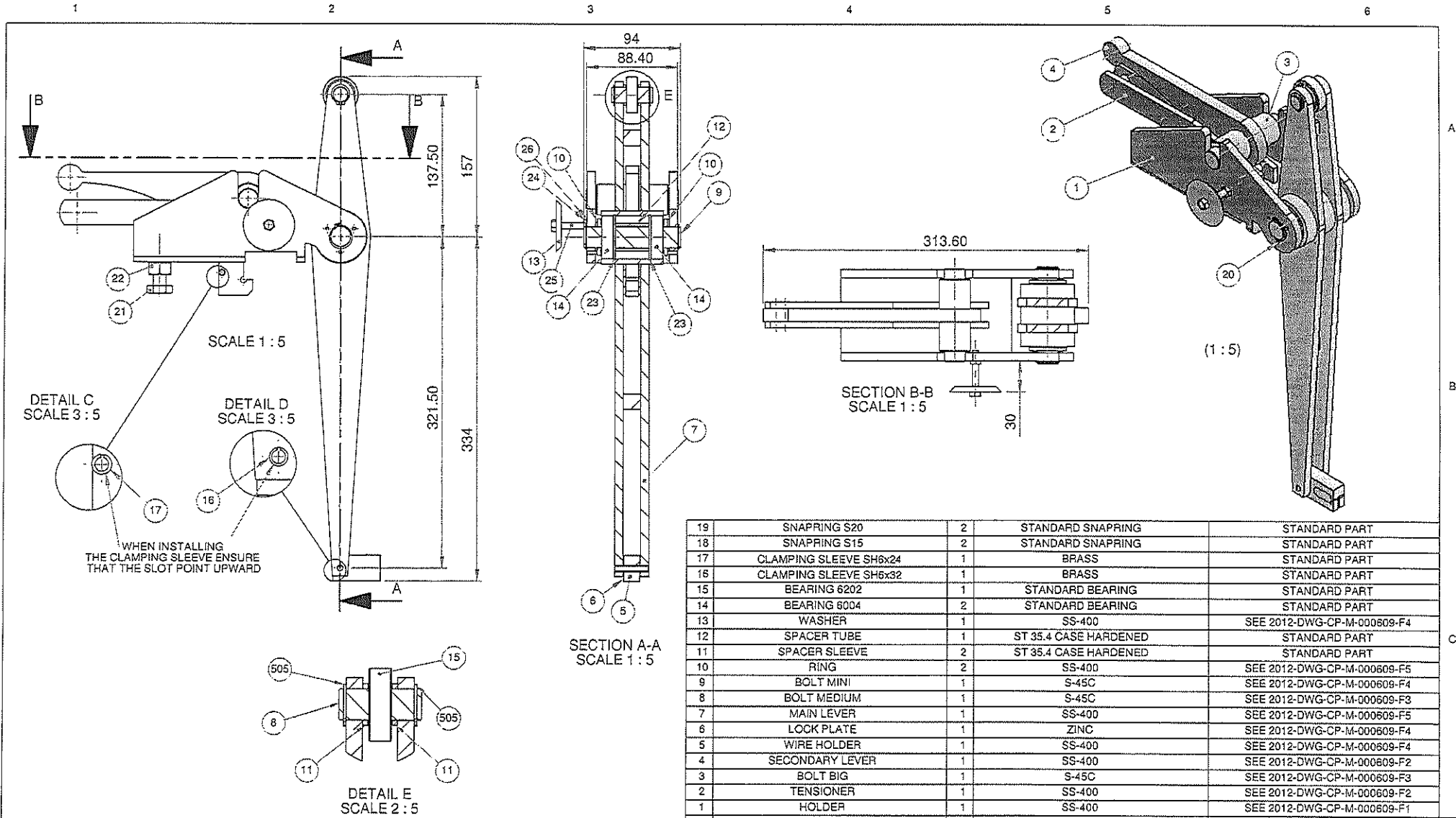
CC: 2011-11900

Dibuat Oleh,
91709(Robby M)
2024-06-10 08:25:14

Checked by,
90715(M.Moechlis)
Approved at 2024-06-10
08:32:38

Budget Control,
90696(Mukhtar L)
Approved at 2024-06-11
11:09:17

Approved by,
90005(Vorapong
Panavasu)
Approved at 2024-06-11
11:14:20



NO	DESCRIPTION	QTY	MATERIAL	REMARKS
19	SNAPRING S20	2	STANDARD SNAPRING	STANDARD PART
18	SNAPRING S15	2	STANDARD SNAPRING	STANDARD PART
17	CLAMPING SLEEVE SH6x24	1	BRASS	STANDARD PART
16	CLAMPING SLEEVE SH6x32	1	BRASS	STANDARD PART
15	BEARING 6202	1	STANDARD BEARING	STANDARD PART
14	BEARING 6004	2	STANDARD BEARING	STANDARD PART
13	WASHER	1	SS-400	SEE 2012-DWG-CP-M-000609-F4
12	SPACER TUBE	1	ST 35.4 CASE HARDENED	STANDARD PART
11	SPACER SLEEVE	2	ST 35.4 CASE HARDENED	STANDARD PART
10	RING	2	SS-400	SEE 2012-DWG-CP-M-000609-F5
9	BOLT MINI	1	S-45C	SEE 2012-DWG-CP-M-000609-F4
8	BOLT MEDIUM	1	S-45C	SEE 2012-DWG-CP-M-000609-F3
7	MAIN LEVER	1	SS-400	SEE 2012-DWG-CP-M-000609-F5
6	LOCK PLATE	1	ZINC	SEE 2012-DWG-CP-M-000609-F4
5	WIRE HOLDER	1	SS-400	SEE 2012-DWG-CP-M-000609-F4
4	SECONDARY LEVER	1	SS-400	SEE 2012-DWG-CP-M-000609-F2
3	BOLT BIG	1	S-45C	SEE 2012-DWG-CP-M-000609-F3
2	TENSIONER	1	SS-400	SEE 2012-DWG-CP-M-000609-F2
1	HOLDER	1	SS-400	SEE 2012-DWG-CP-M-000609-F1

NO	DESCRIPTION	QTY	MATERIAL	REMARKS
26	WASHER M6	1	SPRING STEEL	STANDARD PART
25	HEXAGON SCREW M6x40	1	HTBN 8.8	STANDARD PART
24	HEXAGON NUT M6	1	HTBN 8.8	STANDARD PART
23	SNAPRING H42	2	STANDARD SNAPRING	STANDARD PART
22	HEXAGON NUT M12	1	HTBN 8.8	STANDARD PART
21	HEXAGON SCREW M12x40	1	HTBN 8.8	STANDARD PART
20	HEX SOCKET SRECV OVAL TP8x10	6	HTBN 8.8	STANDARD PART

FILE DIR: \\192.168.4.15\mechanical\Draft Nuryana\Proyek Pak Arifin\Actuator cross cutter

DIM: mm NAME DATE

DRAWN ENDEN 12-Sep-18

DESIGN AVAILABLE

CHECK YESSIKO

APRV M.NUGRAHA

CANCEL DWG NO.

REF DWG NO.

SCALE: 1:10 DIM: mm ASSY NO.

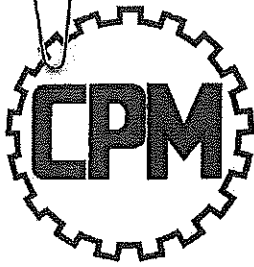
MECHANICAL ENGINEERING SECTION

TITLE CUTTING PLAN - CROSS CUTTER

CLAMPING UNIT ASSEMBLY

** INCOMING PART WILL BE CHECK. IT WILL RETURN IF NOT PASS **

POLISHING GRINDING NORMAL MACHINING (SMOOTH SURFACE) NORMAL MACHINING (ROUGH SURFACE)



PT. CIPTA PRESISI MANDIRI

PART SPECIALIST, DIES, GEAR, GENERAL CONTRACTOR & ENGINEERING SERVICE

Komplek Pergudangan Kamal Indah

BLOK E no.8 Kamal - Kalideres, Jakarta Barat

Telp. : (021) 2255 7468, 5595 9153 Fax. (021) 5595 9153

Mobile : 0812 1978 1011

E-mail : cpmindonesia@yahoo.co.id

Jakarta 16 Juli 2024

Nomor : 273/CPM/VII/24/SLCI/010

Hal : Penawaran Harga

Kepada :

PT. SCG Lightweight Concrete Indonesia

Jl.Surya Tekno Kav. I-T1-3 Surya Cipta

Karawang, Jawa Barat 41361

Up. Bp. Arfandi

Telp. (0267) 8610362

Dengan hormat,

Bersama ini kami sampaikan penawaran harga untuk pembuatan part standard sesuai dengan gambar yang kami terima, adalah sebagai berikut:

No.	Part Name	Dwg	Mtrl	Qty	Harga / Pcs	Jumlah
1	Clamping Unit Assembly (Item 1 s/d 26)	2012-DWG-CP-M-000609-F0	Spec	1 Unt	4.750.000	Rp 4.750.000
					TOTAL	Rp 4.750.000

* Harga diatas belum termasuk PPN 11 %

Keterangan:

- Delivery : 4-6 Minggu setelah PO diterima
- Pembayaran : 2 Minggu setelah barang diterima
- Penawaran ini berlaku selama 1 minggu

Demikian surat penawaran ini kami buat. Atas perhatian dan kerjasamanya kami ucapkan terima kasih.

Hormat kami,

Farizal

4.500.000
confirmed by Pak Farizal 17/7



PT. BINTANG ANGKASA ANUGERAH

Dusun Kawali No.38 RT/RW 72/20
Desa Duren Kec. Klari - Karawang
Telp & Fax : 0267 8618459

Tanggal : Karawang, 04 Juli 2024
No. : 81/BAA/VI/24
Perihal : Penawaran Harga

Kepada Yth
PT. SCG LIGHTWEIGHT CONCRETE IND
KARAWANG
Telp : 0267-8610361
Fax : 0267-8610360
U/p : Bpk. Arfandi

Dengan hormat,

Terima kasih atas permintaan harga dari Bapak/Ibu untuk pembuatan barang di bawah ini. Dengan ini kami kirimkan penawaran harga sebagai berikut :

No	Nama Barang	Qty	Harga Satuan	Total Harga
1.	Clamping Unit Assembly	1 Set	Rp. 4.125.000	Rp. 4.125.000

Ruang Lingkup pekerjaan PT. Bintang Angkasa Anugerah :

*3.712.500 confirmed by
Pak Benny 11/7.*

Kondisi Penawaran

1. Pengiriman : PT. SLCI
2. Pembayaran : 1 (satu) bulan setelah barang dikirim
3. Pajak : Belum termasuk

Demikian penawaran harga dari kami, semoga sesuai dengan Budget yang Bapak/Ibu anggarkan. Atas perhatian dan kerjasamanya kami ucapkan terima kasih.

Hormat kami,
PT. Bintang Angkasa Anugerah

(Gunawan)

