

# PURCHASE REQUEST CHECK APPROVAL

## ITEM DESCRIPTION

[Download PDF! \(http://192.168.1.28/download\\_PR/1021017418\)](http://192.168.1.28/download_PR/1021017418)

**PR Number** : 1021017418

**Total Price** : **IDR 129,000,000**

**Attachment** : [Click here \(http://192.168.1.28/assets/lampiranpr/PR\\_1021017418.JPG\)](http://192.168.1.28/assets/lampiranpr/PR_1021017418.JPG)

## Details PR

No.	Item	A	Material	Short Text	Quantity	Unit	Delivery Date	Plant	Matl.Group	PGR	Value	Ref
1	10	F		fabrication Filling bag mortar Assy	1.000	LOT	22.06.2026	PT SLCI	Asset; AUC	DBA	65,000,000	
2	20	F		fabrication Rotary Mortar Assy	1.000	LOT	22.06.2026	PT SLCI	Asset; AUC	DBA	43,000,000	
3	30	F		fabrication PVC Belt Conveyor	1.000	LOT	22.06.2026	PT SLCI	Asset; AUC	DBA	21,000,000	

### Purpose:

- [10] Fabrication Drawing No.2026-DWG-MI-PKG-001) include Hopper Y  
[20] Fabrication Drawing No.2026-DWG-MI-PKG-002)  
[30] Fabrication Drawing No.2026-DWG-MI-PKG-003),include wormgear Motor 2,2 Kw

GL: 910030

IO: 201020000250

<b>Dibuat Oleh,</b> 90723(Nurvandy) 2026-06-08 10:40:06	<b>Checked by,</b> 90031(Sigit Setiyono) <b>Approved</b> at 2026-06-08 10:41:15	<b>Budget Control,</b> 90705(Mohamad Rizky) <b>Approved</b> at 2026-06-08 11:06:08	<b>Approved by,</b> 90006(Atikom Imsap) <b>Approved</b> at 2026-06-09 08:55:22
---	--	---	---



# PT. CIPTA PRESISI MANDIRI

PART SPECIALIST, DIES, GEAR, GENERAL CONTRACTOR & ENGINEERING SERVICE

Komplek Pergudangan Kamal Indah

BLOK E no.8 Kamal - Kalideres, Jakarta Barat

Telp. : (021) 2255 7468, 5595 9153 Fax. (021) 5595 9153

Mobile : 0812 1978 1011

E-mail : cpmindonesia@yahoo.co.id

Jakarta 02 Juni 2026

Nomor : 117/CPM/VI/26/SLCI/003

Hal : Penawaran Harga

Kepada :

PT. SCG Lightweight Concrete Indonesia

Jl.Surya Tekno Kav. I-T1-3 Surya Cipta

Karawang, Jawa Barat 41361

Up. Bp. Yoki

Telp. (0267) 8610362

Dengan hormat,

Bersama ini kami sampaikan penawaran harga untuk pembuatan part standard sesuai dengan gambar yang kami terima, adalah sebagai berikut:

No.	Part Name	Dwg No	Mtrl	Qty	Harga / Pcs	Jumlah
1	Rotary Bag Mortar	2026-DWG-MI-PKG-002	Spec	1 Pcs	43.500.000	Rp 43.500.000
	Housing		SUS 304			
	Impeller		SUS 304			
	Rotary Shaft		VCN 150			
	Cover		SS400			
	Locking Plate		SS400			
	Housing Bearing		VCN 150			
	Cover Bearing		SS400			
	Adapter Flange		S45C			
	Drive Shaft		VCN 150			
	Pully		S45C			
	Spacher Bearing		S45C			
	Locking Plate		SS400			
	Locking Plate		SS400			
					TOTAL	Rp 43.500.000



# **PT. CIPTA PRESISI MANDIRI**

**PART SPECIALIST, DIES, GEAR, GENERAL CONTRACTOR & ENGINEERING SERVICE**

Komplek Pergudangan Kamal Indah

BLOK E no.8 Kamal - Kalideres, Jakarta Barat

Telp. : (021) 2255 7468, 5595 9153 Fax. (021) 5595 9153

Mobile : 0812 1978 1011

E-mail : [cpmindonesia@yahoo.co.id](mailto:cpmindonesia@yahoo.co.id)

---

\* Harga diatas belum termasuk PPN 11 %

**Keterangan:**

- Delivery : 4-6 Minggu setelah PO diterima
- Pembayaran : 2 Minggu setelah barang diterima
- Penawaran ini berlaku selama 1 minggu

Demikian surat penawaran ini kami buat. Atas perhatian dan kerjasamanya kami ucapkan terima kasih.

Hormat kami,

Farizal



Alamat: Jl.KAREES II,RT.02/RW.10 Kelurahan : Palumbonsari  
 Kec.Karawang Timur  
 Kab.Karawang  
 Kode Pos 41314  
 Jawa Barat  
 Telp :+62 267 4871847  
 Hp/wa : +62 813 6937 5465

**QUOTATION**

Karawang, 08 Juni 2026

QuotNo : 066/QTN-CUS/ADT/VI/2026  
 Subject : Quotation  
 Page : 1 of 1  
 Revisi :

To : **PT. SCG LIGHTWEIGHT CONCRETE INDONESIA**  
 Alamat : KAWASAN INDUSTRI SURYA CIPTA KARAWANG

Attn : Mr. Yoki  
 Cc :

Thank you for your inquiry in we have pleasure to submit our offer as follow :

No	Dwg Code	Description	Qty	Unit Price (IDR)	Amount(IDR)
1		<b>ROTARY BAG MORTAR</b>	1 SET	Rp 57,000,000	Rp 57,000,000
		Scofe of Works :			
		- Housing Rotary Mortar			
		- Impeller Mortar			
		- Rotary Shaft			
		- Cover & Locking Plate			
		- Housing Bearing			
		- Cover Bearing			
		- Adapter Flange			
		- Drive Shaft			
		- Pulley B4			
		- Spacer Bearing			
		- Locking Plate			
		- Bolt M2, M8, M10, M12			

Note :

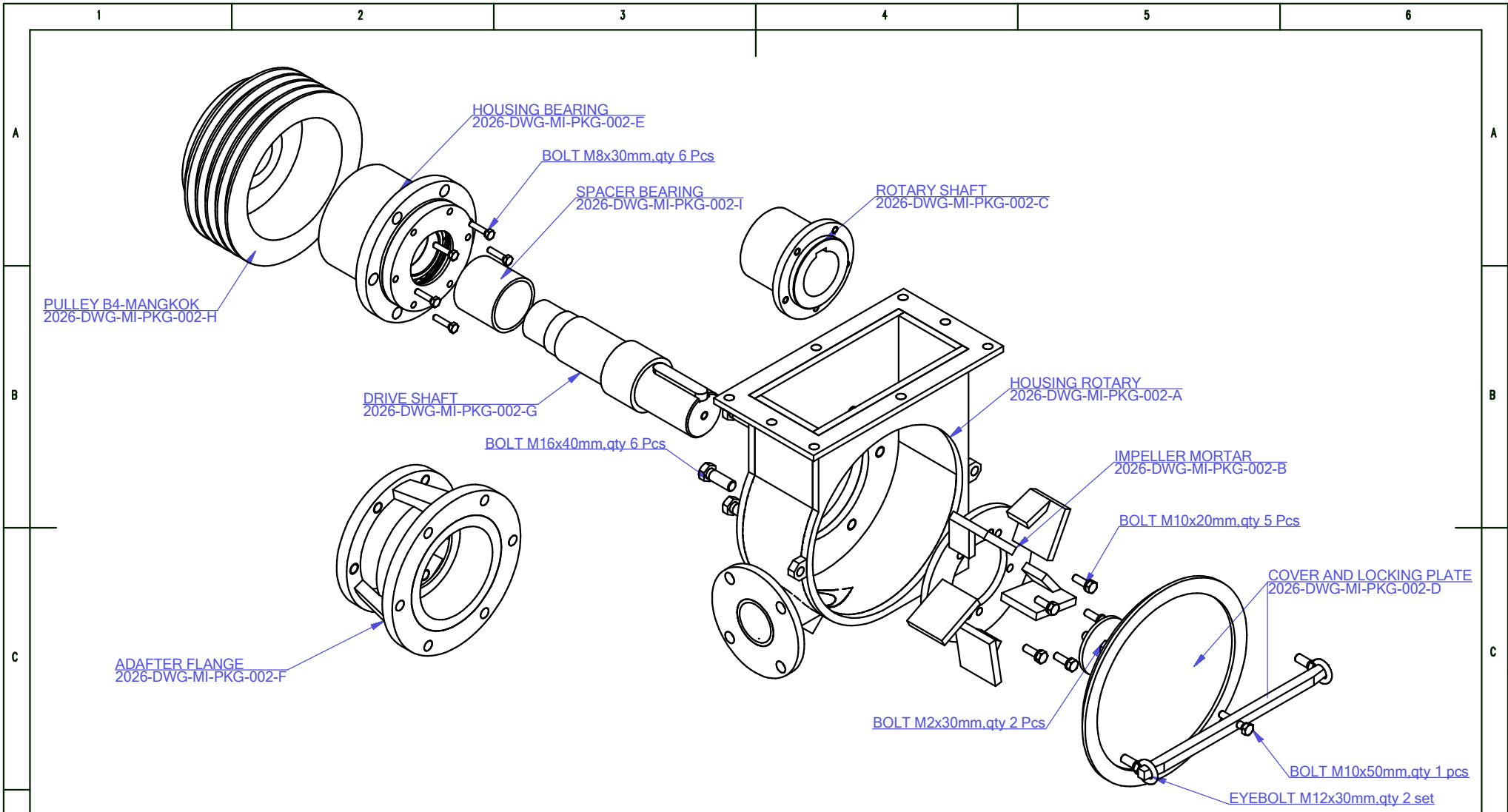
- Harga tidak terikat sewaktu-waktu dapat berubah
  - Berlaku sampai 7 hari setelah Quotation di kirim
- We are looking forward for your best reply confirmation

Total	Rp	57,000,000
Dpp	Rp	52,250,000
PPN 11%	Rp	6,270,000
Grand Total	Rp	63,270,000

PT. ASRI DARMA TEKNIK



Chandra Darmawan  
 Marketing & Sales  
 Hp. 081369375465



1	ROTARY BAG MORTAR	1	HARDOX 500	-
POS	DESCRIPTION	QTY	MATERIAL	REMARKS
FILE DIR: -		SCALE: 5:1		ASSY NO.
DIM: mm		MECHANICAL ENGINEERING SECTION		
DRAWN	SGT	DATE	TITLE RAW MATERIAL - MORTAR	
DESIGN	AVAILABLE	26 AUG 2025		
CHECK	Mr.Tuu			
APRV	Mr.Tuu			
[ ] = GENERAL TOLERANSI ±0.2% x DIMENSION				
REF DWG NO.				
SCG		PT SCG LIGHTWEIGHT CONCRETE INDONESIA		A4
		2026-DWG-MI-PKG-002		REV NO. -
				PAGE 1

\*\* INCOMING PART WILL BE CHECK. IT WILL RETURN IF NOT PASS \*\*

POLISHING	GRINDING	NORMAL MACHINING (SMOOTH SURFACE)	NORMAL MACHINING (ROUGH SURFACE)
▽▽▽	▽▽	▽	▽
1	2		