

**SCG****PT. SCG LIGHTWEIGHT CONCRETE INDONESIA**

JL. Surya Tekno KAV I-T1-3 Suryacipta City Of Industry,

Kutamekar, Ciampel Jawa Barat 41361 Indonesia

Phone : 0267-8610361

Fax : 0267-8610360

N.P.W.P : 31.567.302.0-433.000

PURCHASE ORDER

To : CV DEBASINDO
 JL UTAMA MEGA REGENCY J-6 NO 28 SUKARAGAM
 BEKASI 17331
 Indonesia

PO No. : 4021013211

PO Date : 25.01.2023

PO Currency : IDR

Phone : 021 29370939

Fax :

N.P.W.P :

Please supply the following item

No.	Material Code	Item Description	Qty	Unit	Delivery Date	Unit Price	Total Amount	Discount
10		Mechanical Seal TV-61 Pump	1	ST	28.02.2023	2,375,000 / 1	2,375,000	0

Delivery To : PT SLCI
 JL. Surya Tekno KAV I-T1-3 Suryacipta City Of Industry,
 Karawang 41361 Indonesia

Total Prices 2,375,000

PPN (VAT) 261,250

Grand Total 2,636,250

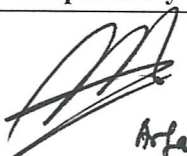
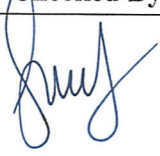
Term of Payment : Credit 30 days after received bill

Remarks : PR 1021012932

Barang yang tidak sesuai spesifikasi akan kami kembalikan

Wajib mematuhi aturan keselamatan selama berada di PT. SLCI

2012-DWG-BMP-TK-01-100-015

Prepared By	Checked By	Approved By	Confirmed By (Vendor)
 Arfandi			



Price Comparison Form

Price Investigation
 Acquisition by Tender

Raw Material
 Supply
 Made to Order

Services
 Other.....

No. PC A2658

No.	Description	Quantity	Last price / Standard Price		CV Debasindo		PT Multitech Industrial Indones		PT Sukses Mandiri Jaya Tekr		Last Order		
			As At.....		c/o Mr. Dedi		c/o Mrs. Mita		c/o Mr. Suroho		Supplier: PT. Tuffiadi Semesta		
			Price	Supplier Name	Price	Delivery	Price	Delivery	Price	Delivery	Price	Date	Remarks
1	Mechanical Seal TV 61 2012-DWG-BMP-TK-01-100-015	1 set	Rp2.375.000	CV Debasindo	Rp2.375.000		Rp4.465.000		Rp8.100.000		Rp6.750.000	11/6/2018	
			Rp2.375.000										

Verbal Price Investigation and Documented Offering Price
 Price Negotiation
 Price investigation and Verbal Offering Price
 Documented price investigation and documented Offering Price
 Special Acquisition

Reason : lowest price

Require Approval not to Sign Contract Because Good History Supplier

Urgently
 Acquire From Specific Source
 Acquire From Affiliate
 Urgently

Lowest Price / Former Price
 Quality
 Delivery
 Monopoly

Prepared by : Arfandi K. Date: 01-23-2023	Committee of Opening the Seal Price / Price Investigator Date	Acknowledge by: Section Manager Date	Acknowledge by: Plant Manager Date
---	---	--	--

PURCHASE REQUEST CHECK APPROVAL

ITEM DESCRIPTION

[Download PDF! \(https://iot.slci.co.id/download_PR/1021012932\)](https://iot.slci.co.id/download_PR/1021012932)

PR Number : 1021012932

Total Price : IDR 7,200,000

Attachment : [Click here \(https://iot.slci.co.id/assets/lampiranpr/PR_1021012932.pdf\)](https://iot.slci.co.id/assets/lampiranpr/PR_1021012932.pdf)

Details PR

No.	Item	A	Material	Short Text	Quantity	Unit	Delivery Date	Plant	Matl.Group	PGR	Value
1	10	K		Mech Seal TV-61 Pump	1	ST	28.02.2023	PT SLCI	Supplies	DBA	7,200,000

Purpose:

[10] Making Mechanical Seal Set Arrangement for TV-61 Pump

GL: 523072

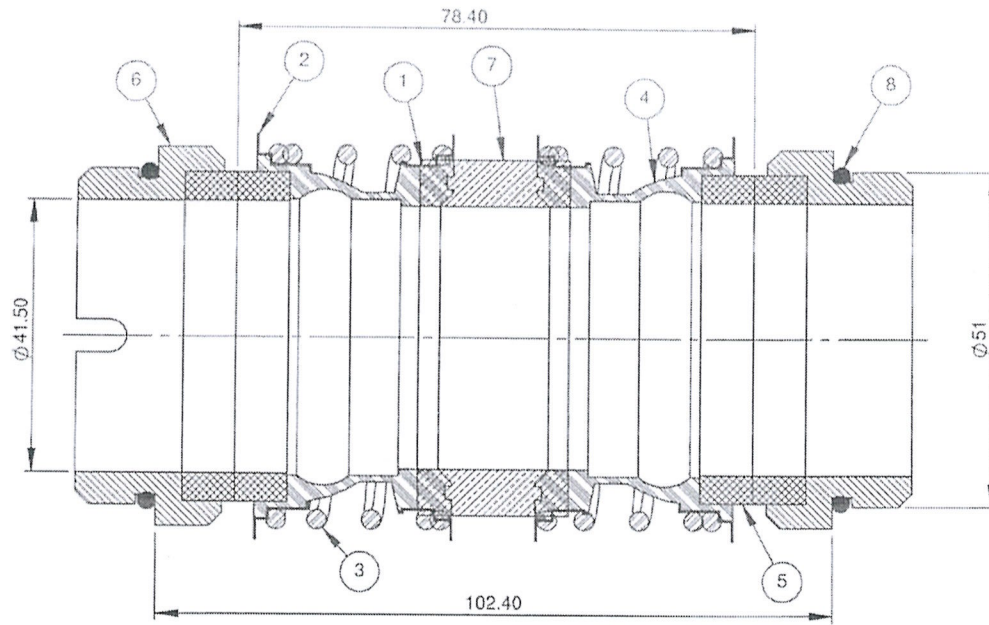
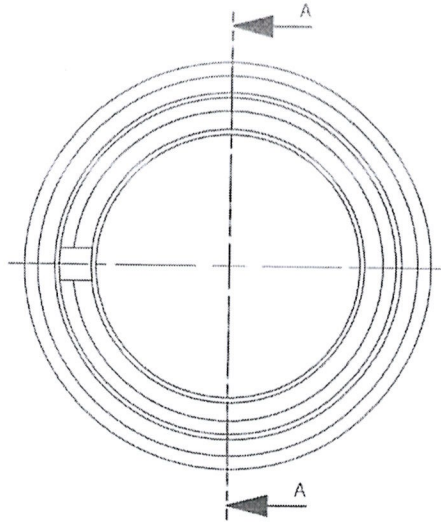
CC: 2011-10000

Dibuat Oleh,
91709(Robby M)
2023-01-09 14:14:12

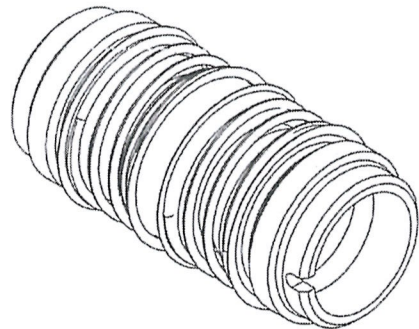
Checked by,
90156(Mochamad Nugrahaputra)
Approved at 2023-01-10
13:43:45

Budget Control,
90696(Mukhtar L)
Approved at 2023-01-10
18:05:56

Approved by,
90156(Mochamad Nugrahaputra)
Approved at 2023-01-11
12:02:40



A-A
SCALE 1 : 1




ISOMETRIC VIEW

** INCOMING PART WILL BE CHECK. IT WILL RETURN IF NOT PASS **

POLISHING	GRINDING	NORMAL MACHINING (SMOOTH SURFACE)	NORMAL MACHINING (ROUGH SURFACE)
▽▽▽	▽▽	▽	▽

8	O-RING id x t = 47.29 x 2.52	2	NBR	SEALMART DESIGNATION 1110GAMN
7	MIDDLE DISTANCE RING	1	BRONZE	2012-DWG-BMP-TK-01-100-015-F
6	STATIC HOLDER	2	SS 304	2012-DWG-BMP-TK-01-100-015-E
5	SEALING CONTACT	4	SILICON CARBIDE	2012-DWG-BMP-TK-01-100-015-D
4	MIDDLE RUBBER	2	FKM RUBBER (VITON)	2012-DWG-BMP-TK-01-100-015-C
3	PRESSURE SPRING	2	SPRING STEEL	2012-DWG-BMP-TK-01-100-015-B
2	RUBBER SHELL B	2	SS 304 PLATE	2012-DWG-BMP-TK-01-100-015-A
1	RUBBER SHELL A	2	SS 304 PLATE	2012-DWG-BMP-TK-01-100-015-A
POS	DESCRIPTION	QTY	MATERIAL	REMARKS

FILE DIR: C:\Users\SLCI-D012\Documents\Yessiko\TV 61-100 pump\  SCALE: 1:2 DIM: mm ASSY NO.

DIM: mm NAME DATE MECHANICAL ENGINEERING SECTION

DRAWN YESSIKO 9/15/2017 TITLE TV 61 100 SLURRY PUMP

DESIGN AVAILABLE CHECK YESSIKO APRV RULLY

CANCEL DWG NO. REFF DWG NO.

MECHANICAL SEAL SET SEAL ARRANGEMENT