



PT. SCG LIGHTWEIGHT CONCRETE INDONESIA
JL. Surya Tekno KAV I-T1-3 Suryacipta City Of Industry,
Kutamekar, Ciampel Jawa Barat 41361 Indonesia
Phone : 0267-8610361
Fax : 0267-8610360
N.P.W.P : 31.567.302.0-433.000

PURCHASE ORDER

To : CV SAGARA INOVASI
PERUM LEBAK WANGI ASRI BLOK D4 NO28
BANDUNG
Indonesia

PO No. : 4021012409
PO Date : 29.06.2022
PO Currency : IDR

Phone : 087821125779
Fax :
N.P.W.P :

Please supply the following item

No.	Material Code	Item Description	Qty	Unit	Delivery Date	Unit Price	Total Amount	Discount
10	K12A90011	Rubber Stamping SCG	15	PC	08.07.2022	200,000 / 1	3,000,000	0

Delivery To : PT SLCI
JL. Surya Tekno KAV I-T1-3 Suryacipta City Of Industry,
Karawang 41361 Indonesia

Total Prices 3,000,000
PPN (VAT) 330,000
Grand Total 3,330,000

Term of Payment : Credit 30 days after received bill

Remarks : PR 1021011881

Barang yang tidak sesuai spesifikasi akan kami kembalikan
Wajib mematuhi aturan keselamatan selama berada di PT. SLCI
2012-DWG-CPL-ST-M-003-D

Prepared By	Checked By	Approved By	Confirmed By (Vendor)
 Arfandi		 PT. SAGARA INOVASI	



Price Comparison Form

- Price Investigation
- Acquisition by Tender

- Raw Material
- Supply
- Made to Order

- Services
- Other.....

No. PC A2288

No.	Description	Quantity	Last price / Standard Price		CV Sagara Inovasi		CV Diyatama Polyurethane		Last Order				
			As At.....		c/o Mr. Agus		c/o Mrs. Andri		Supplier: CV Diyatama Polyurethane				
			Price	Supplier Name	Price	Delivery	Price	Delivery	Price	Delivery	Price	Date	Remarks
1	Rubber Stamping SCG	15 pcs	Rp3,000,000	CV Sagara Inovasi	Rp200,000		Rp200,000				Rp200,000	1/28/2020	
			Rp3,000,000										

- Verbal Price Investigation and Documented
- Price Negotiation
- Price investigation and Verbal Offering Price
- Documented price investigation and documented Offering Price
- Special Acquisition

Reason : new order

- Require Approval not to Sign Contract Because Good History Supplier

- Urgently
- Acquire From Specific Source
- Acquire From Affiliate
- Urgently

- Lowest Price / Former Price
- Quality
- Delivery
- Monopoly

Prepared by : Arfandi K. Date: 06-03-2022	Committee of Opening the Seal Price Investigator Date	Authorized Person...../...../..... Section Manager...../...../..... Department Manager...../...../..... Division Manager...../...../..... Managing Director...../...../..... President
---	---	---

PURCHASE REQUEST CHECK APPROVAL

ITEM DESCRIPTION

PR Number : 1021011881
Total Price : IDR 3,000,000
Attachment : Click here (https://iot.slsi.co.id/assets/lampiranpr/PR_10210118811.JPG)

Details PR

No.	Item	A	Material	Short Text	Quantity	Unit	Delivery Date	Plant	Matl.Group	PGR	Value
1	10		K12A90011	Rubber Stamping SCG	15	PC	23.05.2022	PT SLCI	Supplies	DBA	3,000,000

Purpose:

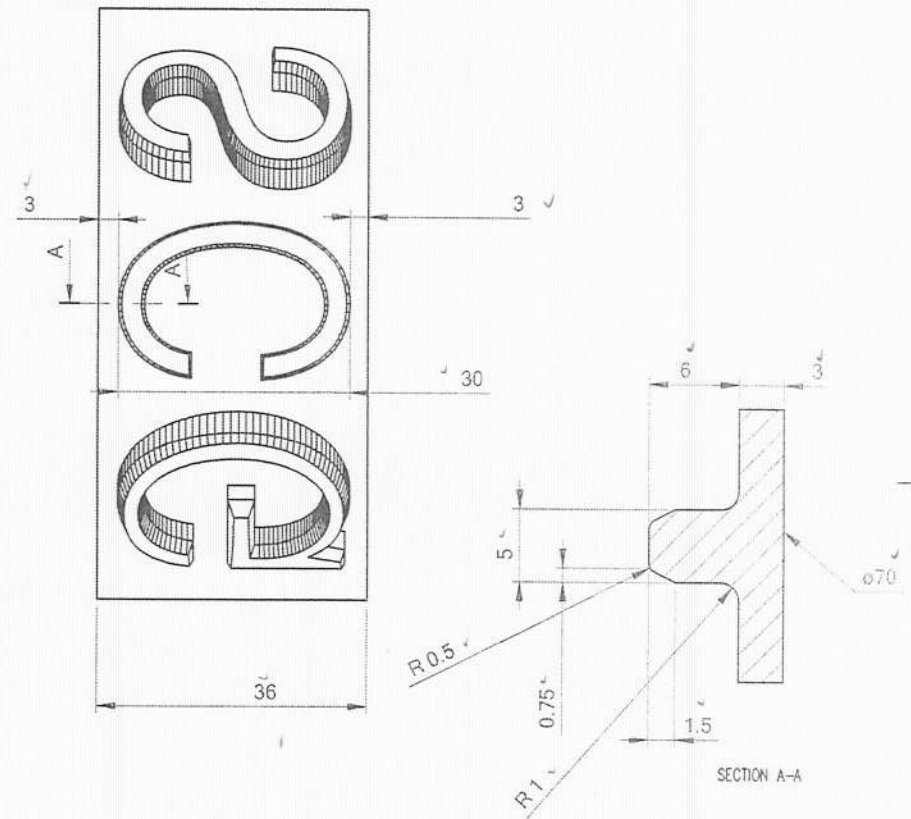
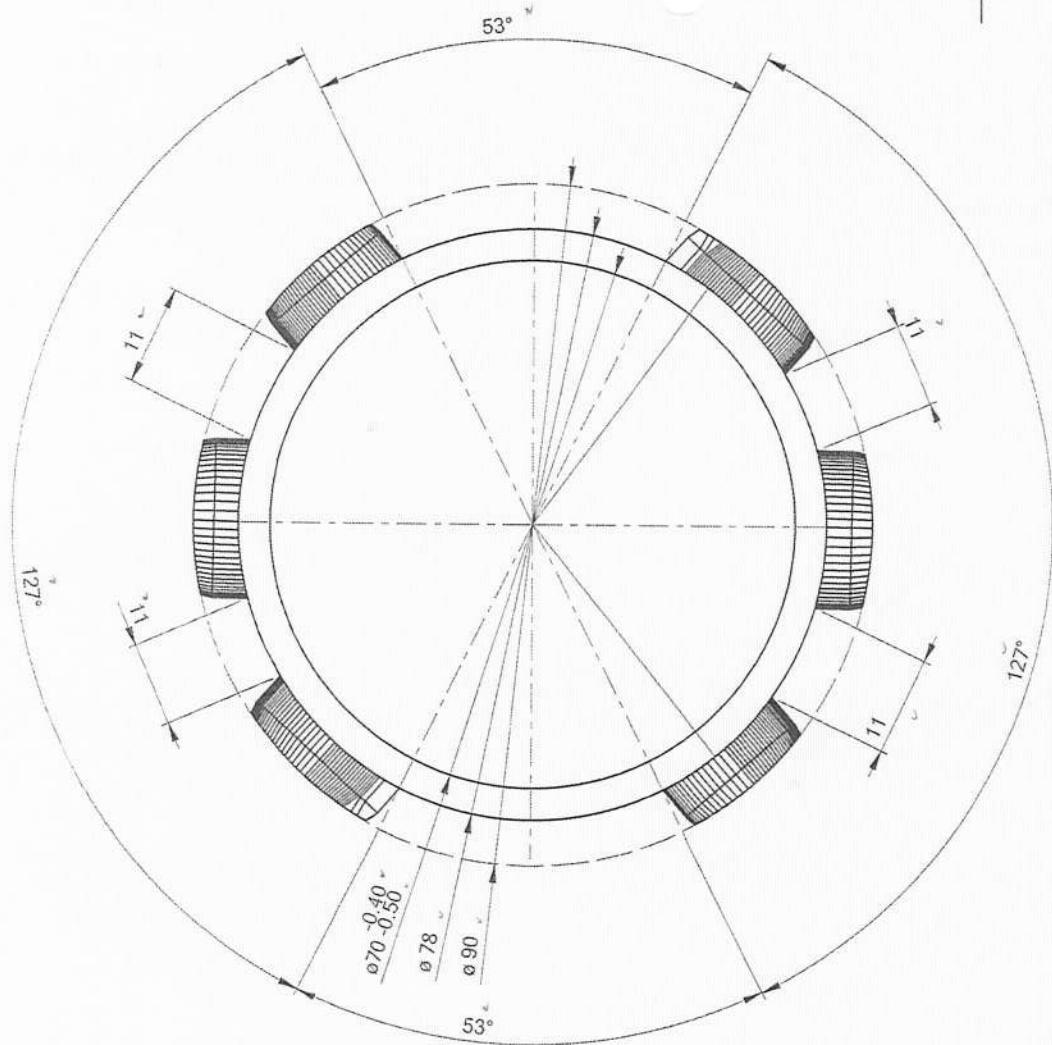
[10] For stamp product (New design)

Dibuat Oleh,
90401(Yayan Abdul Azis)
2022-04-26 11:36:51

Checked by,
90065(Nur Mustaqim)
Approved at 2022-04-26
11:45:09

Budget Control,
90696(Mukhtar L)
Approved at 2022-04-26
13:19:03

Approved by,
90156(Mochamad
Nugrahaputra)
Approved at 2022-04-28
10:46:31



Terima gambar 10/5
2k

RD:
PD 9002

** INCOMING PART WILL BE CHECK. IT WILL RETURN IF NOT PASS **

POLISHING	GRINDING	NORMAL MACHINING (SMOOTH SURFACE)	NORMAL MACHINING (ROUGH SURFACE)
▽▽▽	▽▽	▽	▽

ISOMETRIC VIEW
*NB= ESTIMATION WEIGHT: 0.9 KG

1	STAMPING WHEEL SCG	1	POLYURETHANE 70-80 (SHORE A)	-
POS	DESCRIPTION	QTY	MATERIAL	REMARKS
FILE DIR:	-		SCALE: 1:1	ASSY NO.
			DIM: mm	
DIM: mm	NAME	DATE	SIGN	MECHANICAL ENGINEERING SECTION
DRAWN	ENDEN	16/JAN/20	[Signature]	TITLE CUTTING PLAN - STAMPING
DESIGN	SIGIT			
CHECK	YESSIKO			
APRV	MANGRAHA			
[] = GENERAL TOLERANSI ±0.2% x DIMENSION				
REF DWG NO.				

STAMPING WHEEL SCG



Polyurethane & Rubber Manufacturing

CV. SAGARA INOVASI

Bandung , 17 Mei 2022

Hal : Penawaran harga

No : 01/SI/2022

Page : 1/1

Kepada Yth,

PT SCG Lightweight Concrete Indonesia

Karawang

Attn : Bpk. Arfandi (Purchasing Dept.)

Dengan Hormat,

Bersama ini kami sampaikan penawaran harga dengan spesifikasi sebagai berikut;

No	Deskripsi	Qty	Harga
01	Stamping Wheel SCG Ø90x70x36 mm	15 Pcs	Rp. 250.000 /pcs 200.000

confirmed by
Pak Agus 27/5.

Keterangan:

-Harga di atas Excluded PPN

Demikian penawaran harga ini kami sampaikan atas kerjasama dan perhatiannya kami ucapkan terimakasih.

Hormat Kami

Agus Firman

Director

Mobile: 0878 2112 5779

Office/Workshop: Perum Lebakwangi Asri Blk. D4 No.28 RT.04 RW.13 Desa: Lebakwangi Kec: Arjasari
Kab: Bandung Jawa Barat 40379 Indonesia Hp: 087821125779 e-mail: sagara.inovasi@gmail.com

CV. DIYATAMA POLYURETHANE

SPECIALIST POLYURETHANE - RUBBER , Part, Teflon Coating, Fabrication

Bandung, 26 April 2022

Nomor : 06/PH/2022
Page : 1/1
Hal : Penawaran Harga

Kepada Yth,

PT. SCG Lightweight Concrete Indonesia
Karawang

Tlp: 0267-8610 361
Attn: Bpk.Arfandi (Purchasing Dept.)

Dengan Hormat,

Bersama surat ini kami sampaikan penawaran harga dengan spesifikasi sebagai berikut:

No.	Nama Barang	Dimensi	Qty	Harga
1	Ring SCG Mat: Polyurethane	Ø75x58x30mm	15 Pcs	Rp. 200.000/Pcs

Kondisi Penawaran :

1. Harga belum termasuk PPN

Demikian surat penawaran ini kami buat atas perhatian dan kerjasamanya kami ucapkan terima kasih.

Hormat Kami,

Andri purnamasari
Direktur