



**PT. SCG LIGHTWEIGHT CONCRETE INDONESIA**  
JL. Surya Tekno KAV I-T1-3 Suryacipta City Of Industry,  
Kutamekar, Ciampel Jawa Barat 41361 Indonesia  
Phone : 0267-8610361  
Fax : 0267-8610360  
N.P.W.P : 31.567.302.0-433.000

**PURCHASE ORDER**

To : PT. MUSAYA KREASI INDONESIA  
Jl Pesantren Al ITishom RT.014 RW.006  
Karawang  
Indonesia

PO No. : 4021012427  
PO Date : 04.07.2022  
PO Currency : IDR

Phone : 081295704514  
Fax :  
N.P.W.P : 841040744408000

Please supply the following item

No.	Material Code	Item Description	Qty	Unit	Delivery Date	Unit Price	Total Amount	Discount
10		Housing Feeding Screw Palm Kernel SS400	1	PC	18.07.2022	10,000,000 / 1	10,000,000	0

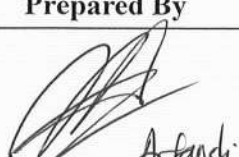
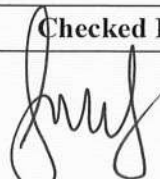
Delivery To : PT SLCI  
JL. Surya Tekno KAV I-T1-3 Suryacipta City Of Industry,  
Karawang 41361 Indonesia

Total Prices 10,000,000  
PPN (VAT) 1,100,000  
Grand Total 11,100,000

Term of Payment : Credit 30 days after received bill

Remarks : PR 1021012013

Barang yang tidak sesuai spesifikasi akan kami kembalikan  
Wajib mematuhi aturan keselamatan selama berada di PT. SLCI  
2012-DWG-BAC-SC-M-001-A Rev 2 (Mat SS400)

Prepared By	Checked By	Approved By	Confirmed By (Vendor)
 Afandi			



### Price Comparison Form

Price Investigation  
 Acquisition by Tender

Raw Material  
 Supply  
 Made to Order

Services  
 Other.....

No. PC A2340

No.	Description	Quantity	Last price / Standard Price		PT Musaya Kreasi Indonesia		PT. Cipta Presisi Mandiri		Last Order				
			As At.....		c/o Mr. Supriyadi		c/o Mr Farizal		Supplier:				
			Price	Supplier Name	Price	Delivery	Price	Delivery	Price	Delivery	Price	Date	Remarks
1	Housing Feeding Screw Palm Kernel 2012-DWG-BAC-SC-M-001-A Rev 2 (Mat SS400)	1 pcs	Rp10,000,000	PT Musaya Kreasi Indonesia	Rp10,000,000		Rp11,000,000						
			Rp10,000,000										

Reason : lowest price

Verbal Price Investigation and Documented  
 Price Negotiation  
 Price investigation and Verbal Offering Price  
 Documented price investigation and documented Offering Price  
 Special Acquisition

Require Approval not to Sign Contract Because Good History Supplier

Urgently  
 Acquire From Specific Source  
 Acquire From Affiliate  
 Urgently

Lowest Price / Former Price  
 Quality  
 Delivery  
 Monopoly

Prepared by :  Arfandi K. Date: 07-01-2022	Committee of Opening the Seal Price / Price Investigator Date .....	Authorized Person..... Section Manager..... Department Manager..... Division Manager..... Managing Director..... President .....
---	---	---

# PURCHASE REQUEST CHECK APPROVAL

## ITEM DESCRIPTION

**PR Number** : 1021012013  
**Total Price** : IDR 12,000,000  
**Attachment** : [Click here \(https://iot.slci.co.id/assets/lampiranpr/PR\\_1021012013.pdf\)](https://iot.slci.co.id/assets/lampiranpr/PR_1021012013.pdf)

## Details PR

No.	Item	A	Material	Short Text	Quantity	Unit	Delivery Date	Plant	Matl.Group	PGR	Value
1	10	K		Housing Feeding Screw Palm Kernel	1	PC	28.06.2022	PT SLCI	Supplies	DBA	12,000,000

### Purpose:

[10] Feeding Screw Palm Kernel, Details : 2012-DWG-BAC-SC-M-001-A

GL: 523072

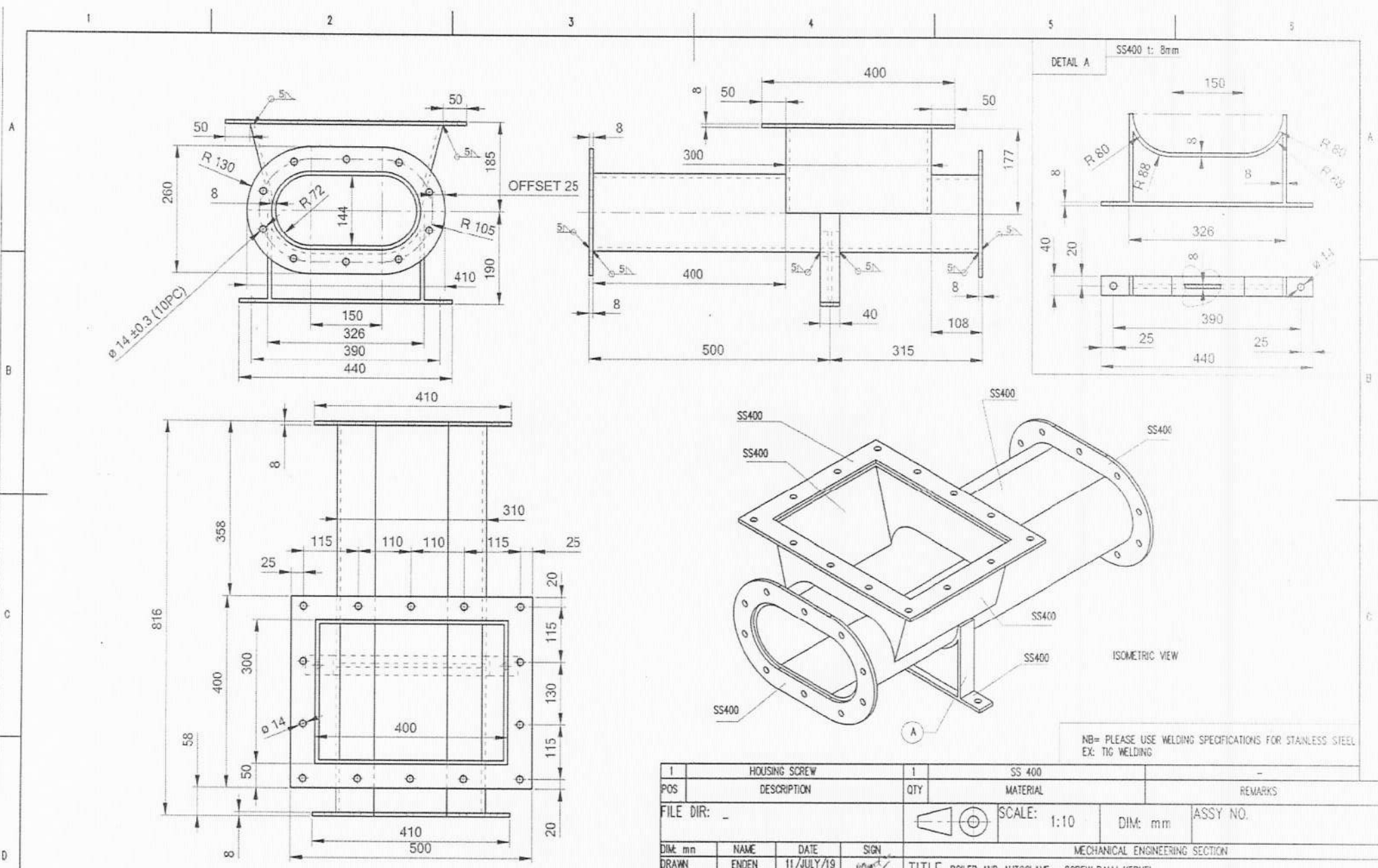
CC: 2011-10000

**Dibuat Oleh,**  
90587(Taufik Hidayat)  
2022-06-06 10:47:10

**Checked by,**  
90156(Mochamad Nugrahaputra)  
**Approved** at 2022-06-07 10:25:30

**Budget Control,**  
90696(Mukhtar L)  
**Approved** at 2022-06-20 15:37:17

**Approved by,**  
90005(Vorapong Panavasu)  
**Approved** at 2022-06-20 16:50:46



\*\* INCOMING PART WILL BE CHECK. IT WILL RETURN IF NOT PASS \*\*

POLISHING	GRINDING	NORMAL MACHINING (SMOOTH SURFACE)	NORMAL MACHINING (ROUGH SURFACE)
▽▽▽	▽▽	▽	▽

1	HOUSING SCREW	1	SS 400	-
POS	DESCRIPTION	QTY	MATERIAL	REMARKS
FILE DIR: -		SCALE: 1:10		ASSY NO.
MECHANICAL ENGINEERING SECTION				
TITLE BOILER AND AUTOCLAVE - SCREW PALM KERNEL				
HOUSING SCREW				
(*) = GENERAL TOLERANSI ±0.2% x DIMENSION				
REFE DWG NO.				



# PT. MUSAYA KREASI INDONESIA

## ENGINEERING, MACHINERY & FABRICATION SERVICES

JL. PESANTREN AL I'TISHOM RT.14 RW.06 DUSUN KADONGDONG  
DESA KONDANG JAYA KARAWANG TIMUR - KARAWANG - JAWA BARAT  
TELP. 0812 9570 4514 - 0857 8127 6604

### PENAWARAN HARGA

To : PT. SCG Lightweight Concrete Indonesia  
Surya Cipta City Of Industry, Karawang, Indonesia

No : 063/MKI-PH/VI/2022  
RFQ : Drawing  
Subject : Part Machining  
Hal : Penawaran Harga

Up. Mr. Arfandi Kurniawan

Dengan hormat,

Bersama ini kami sampaikan penawaran harga dengan rincian sebagai berikut :

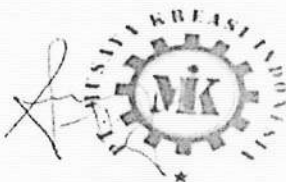
No.	Descriptions	Qty Unit	Unit Price (IDR)	Amount (IDR)
1	Housing Screw	1 SET	Rp <del>12.500.000</del> 10.000.000 <i>confirmed by Pak Supriyadi 4/7.</i>	Rp 12.500.000
<b>TOTAL</b>				<b>Rp 12.500.000</b>

#### Note

- Penawaran di atas belum termasuk PPN 10 %.
- Lama pengerjaan 5 hari Kerja per 1 Set.
- Apabila ada penambahan pekerjaan di luar scope job di atas maka di hitung sebagai additional job.
- Pembayaran 30 hari setelah invoice di kirimkan.

Demikian penawaran harga ini kami sampaikan, atas kepercayaan dan kerjasamanya kami ucapkan terima kasih

Karawang, 28 Juni 2022



SUPRIYADI



# PT. CIPTA PRESISI MANDIRI

PART SPECIALIST, DIES, GEAR, GENERAL CONTRACTOR & ENGINEERING SERVICE

Komplek Pergudangan Kamal Indah  
BLOK E no.8 Kamal - Kalideres, Jakarta Barat  
Telp. : (021) 2255 7468, 5595 9153 Fax. (021) 5595 9153  
Mobile : 0812 1978 1011  
E-mail : cpmindonesia@yahoo.co.id

Jakarta 27 Juni 2022

Nomor : 255/CPM/VI/22/SLCI/021

Hal : Penawaran Harga

Kepada :

PT. SCG Lightweight Concrete Indonesia

Jl.Surya Tekno Kav. I-TI-3 Surya Cipta

Karawang, Jawa Barat 41361

Up. Bp. Yoki Radiansyah

Telp. (0267) 8610362

Dengan hormat,

Bersama ini kami sampaikan penawaran harga untuk pembuatan part standard sesuai dengan gambar yang kami terima, adalah sebagai berikut:

No.	Part Name	DWG No	Mtrl	Qty	Harga	Jumlah
1	Housing Screw Palm Kernel	2012-DWG-BAC-SC-M-001-A	SS400	1 Pcs	<del>14,500,000</del>	Rp 14,500,000
					TOTAL	Rp 14,500,000

\* Harga diatas belum termasuk PPN 11 %

Keterangan:

- Delivery : ± 2 - 3 Minggu setelah PO diterima
- Pembayaran : 2 Minggu setelah barang diterima
- Penawaran ini berlaku selama 1 minggu

Demikian surat penawaran ini kami buat. Atas perhatian dan kerjasamanya kami ucapkan terima kasih.



11.000.000

confirmed by Pak Farizal 1/7